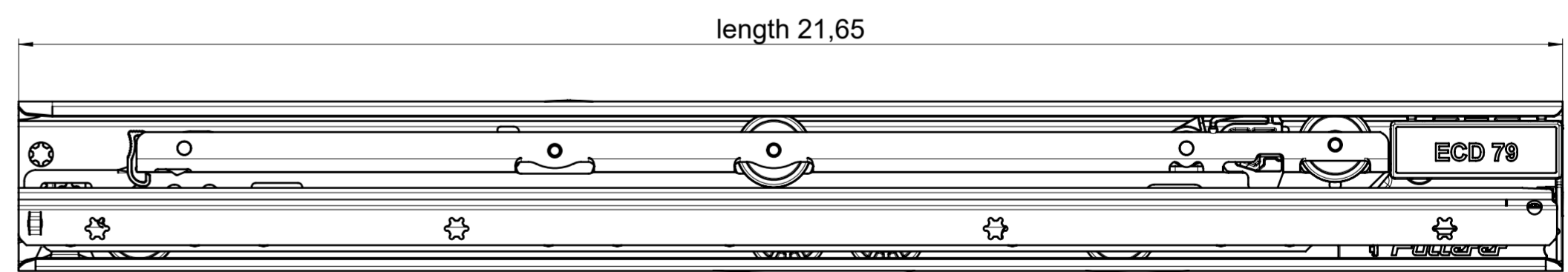
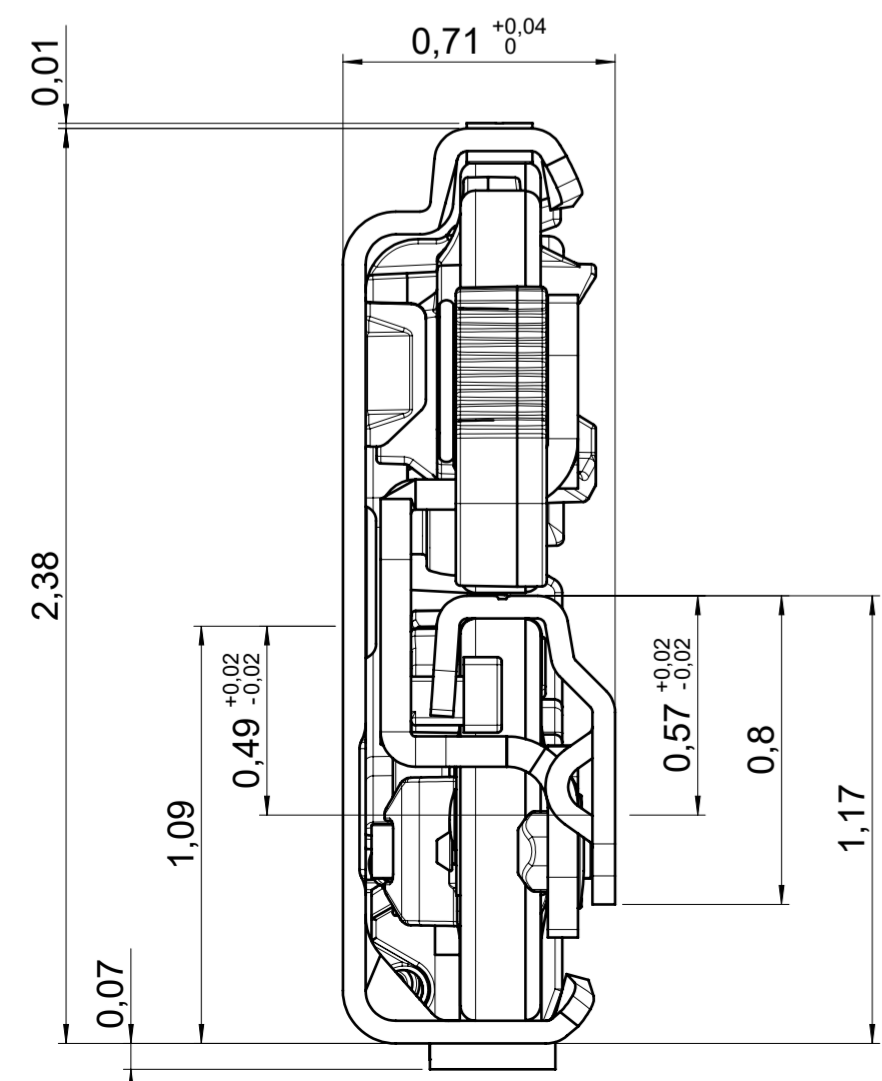
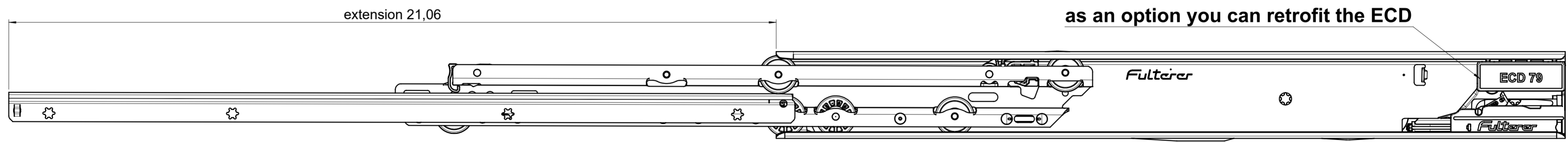
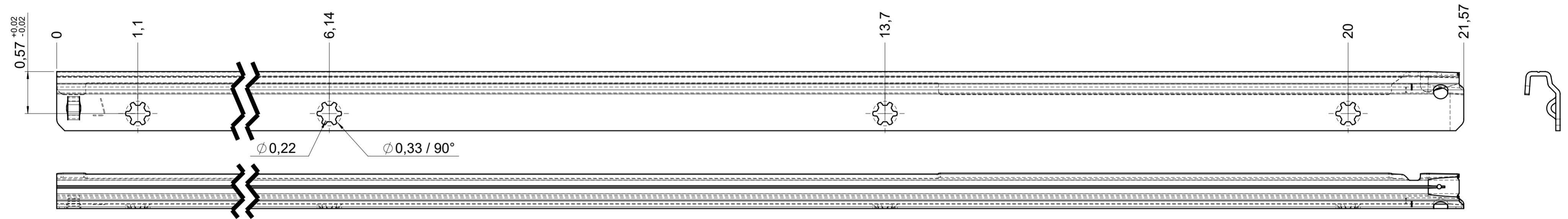
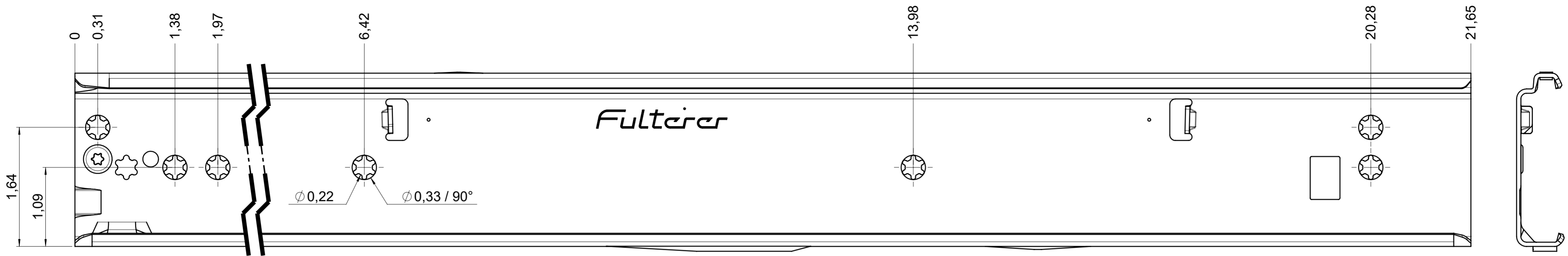


drawn on the left (mirrored on the right)



**final approval**

customer name:

signed by:

date:

all dimensions in inch					
missing dimensions see 3D ⇒ = theor. intersection		scale: <b>1:1</b>	surface/color:	material: <b>CS</b>	(technical requirements Fulterer)
<b>prototype approval</b>		drawn	date	name	description: <b>FR 795-550 CS EN (inch)</b> progressive-action full-extension drawerslide / side mount
		proven	2024-01-12	RK	
 Fulterer AG & Co KG A-6890 Lustenau Fulterer AG CH-9430 St. Margrethen		drawing number:		<b>CS# 795.550-GA.0000</b>	
		replaces the edition:			
This drawing remains our property and may not be multiplied neither be disclosed to third parties (§§1.3 and 5 from the copyright Act (UrhG)).					covered according to DIN ISO 16016