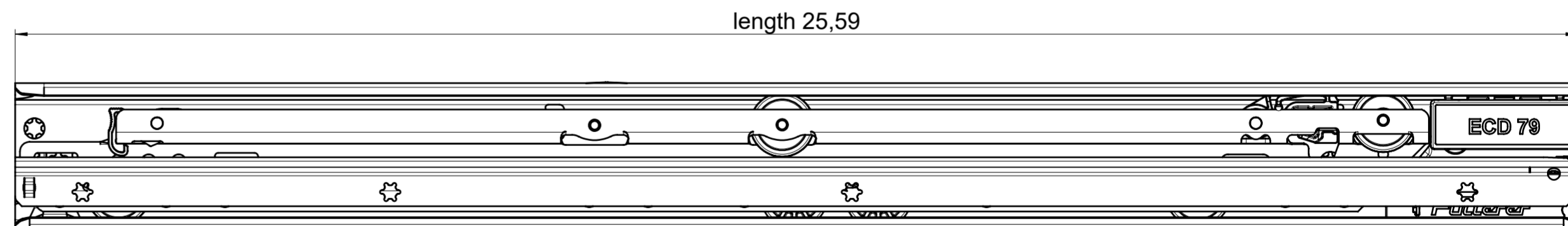
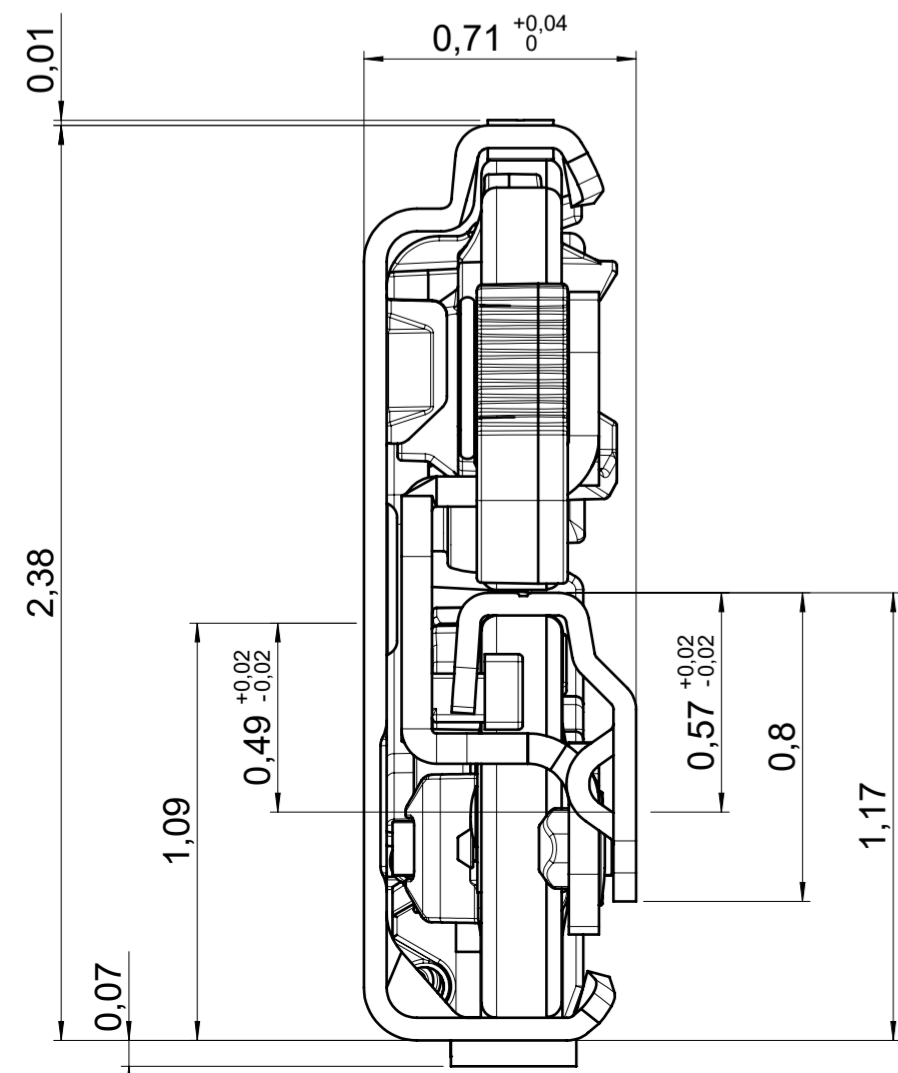
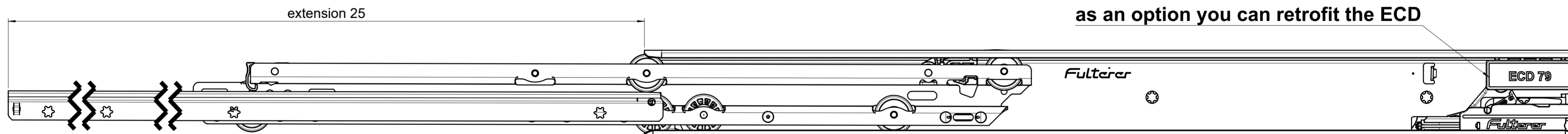
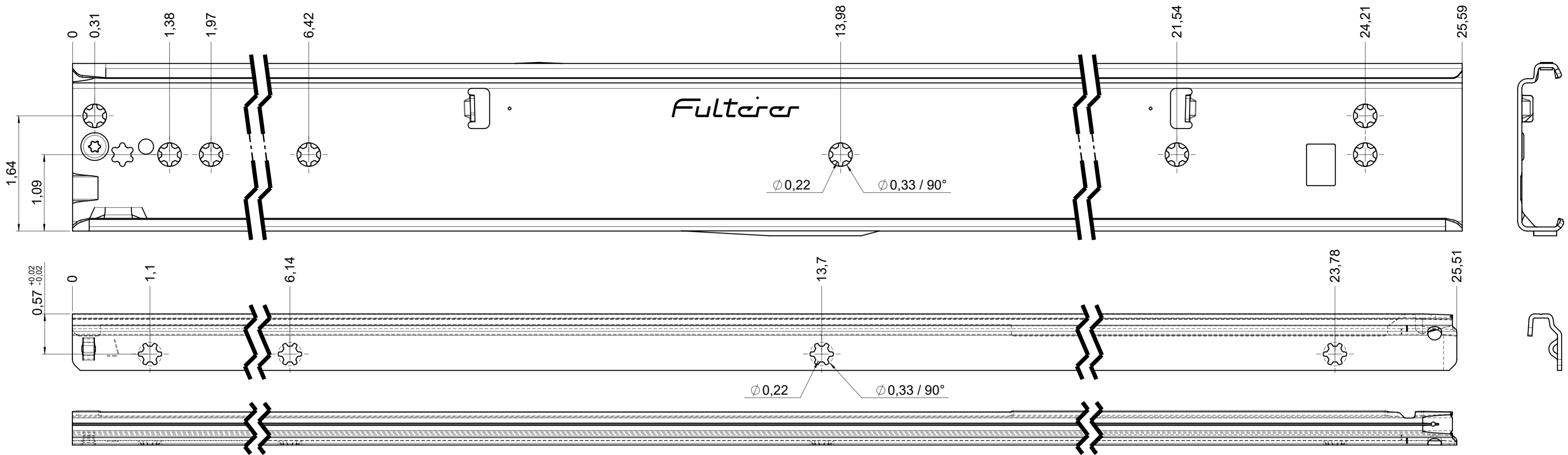


drawn on the left (mirrored on the right)



**final approval**

customer name:

signed by:

date:

all dimensions in inch					
missing dimensions see 3D = theor. intersection	DIN ISO 128-30	scale: <b>1:1</b>	surface/color:	material: <b>CS</b>	(technical requirements Fulterer)
<b>prototype approval</b>		drawn	date	name	description: <b>FR 795-650 CS EN (inch)</b> progressive-action full-extension drawerslide / side mount
		proven	2024-01-12	RK	
		Fulterer AG & Co KG A-6890 Lustenau Fulterer AG CH-9430 St. Margrethen			drawing number: <b>CS# 795.650-GA.0000</b> replaces the edition:
PDM ind. changes	2023-10-04 date	RK name	covered according to DIN ISO 16016		