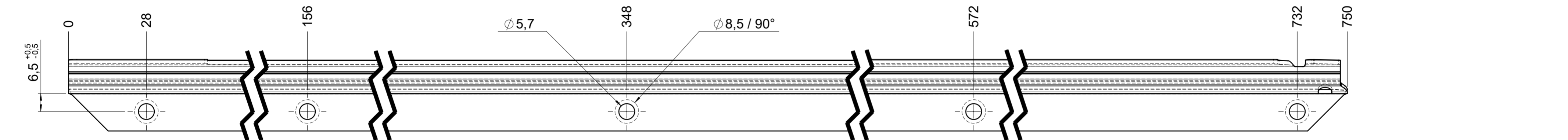
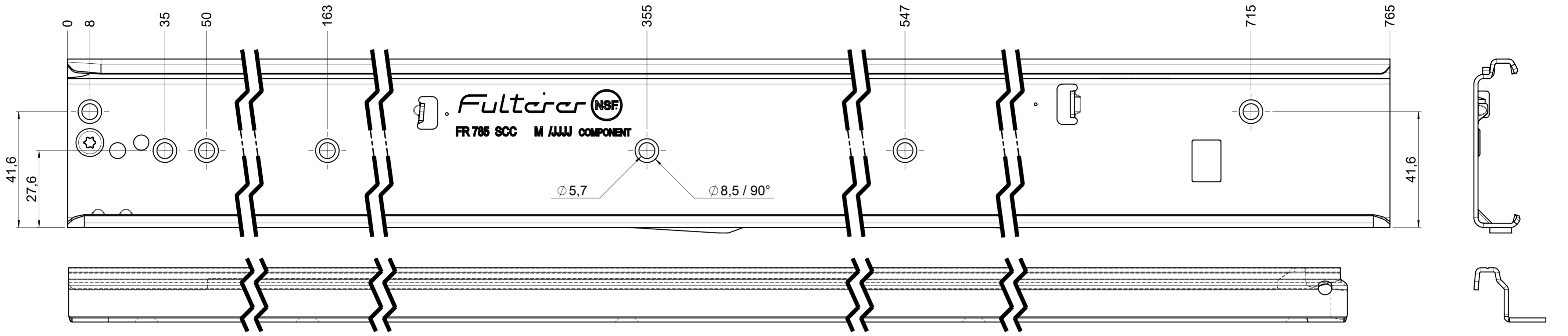
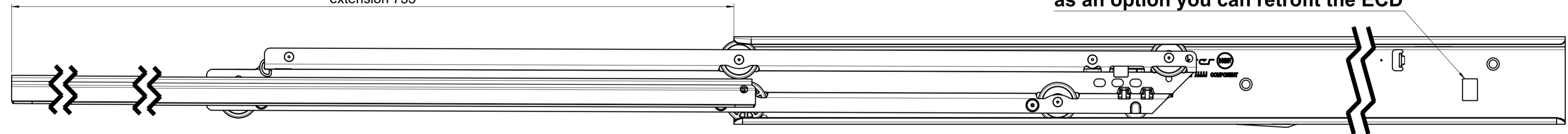


drawn left (right mirrorimage)

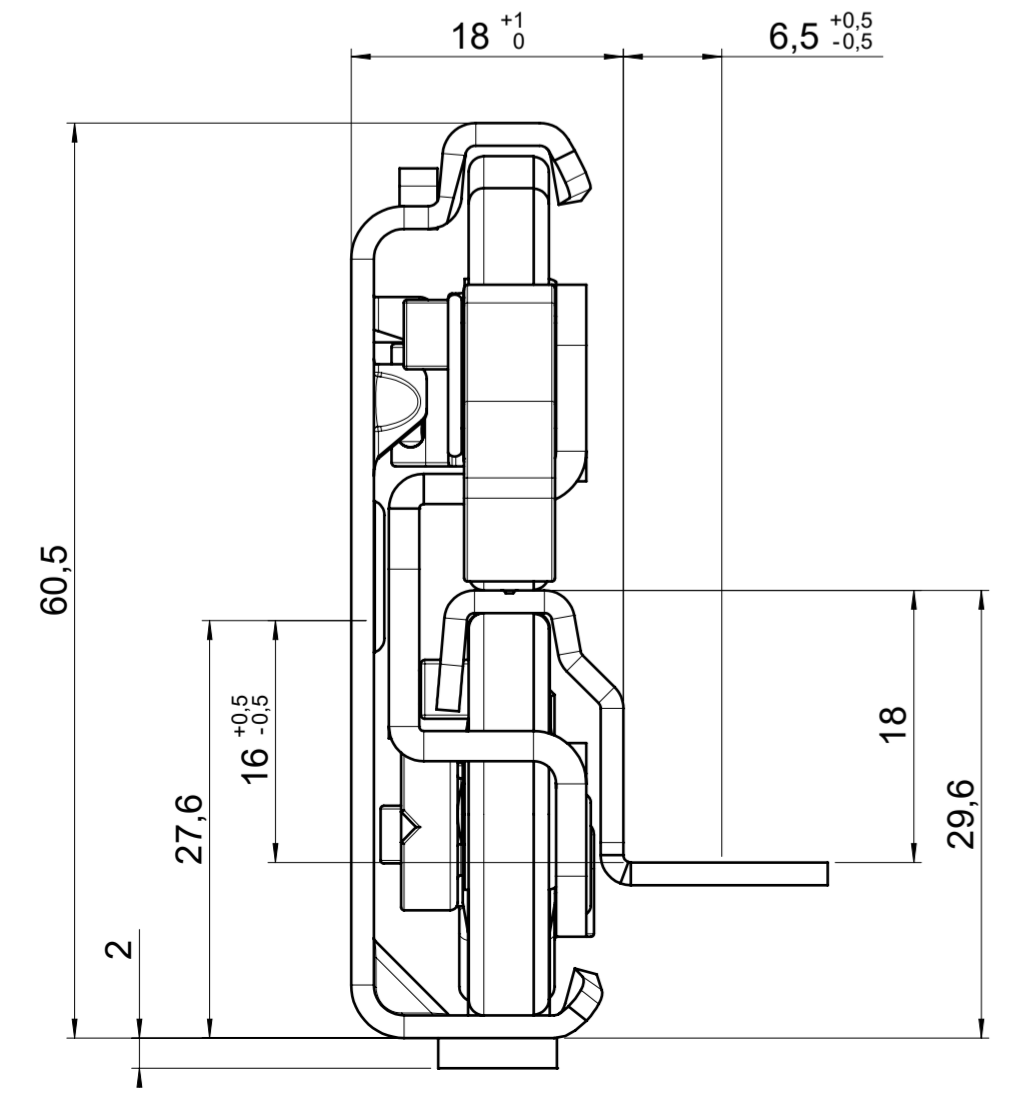
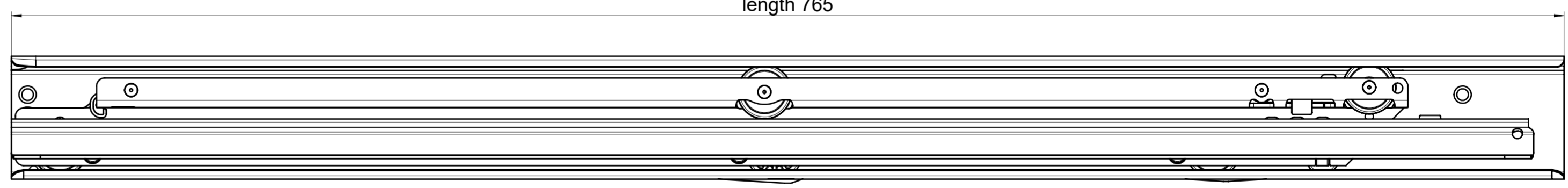


extension 735

as an option you can retrofit the ECD



length 765



final approval

customer name:

signed by:

date:

all dimensions in mm				DIN ISO 128-30 missing dimensions see 3D = theor. intersection	
This drawing remains our property and may not be multiplied neither be disclosed to third parties (§§1,3 and 5 from the copyright Act (UrhG)) covered according to DIN ISO 16016					
scale: 1:1		surface:		material, semi finished parts: CS (technical requirements Fulterer)	
drawn	17-01-2023	date	name	description: FR 786 / 75 CS EN (mm) progressive-action full-extension drawerslide / bottom mount	
proven	01-02-2023	proven	pr	drawing number: CS# 786.750-GA.L501	
				replaces version date:	
Fulterer AG & Co KG A-6890 Lustenau / Austria Fulterer AG CH-9430 St. Margrethen				drawing number: CS# 786.750-GA.L501 replaces version date:	
ind.	changes	date	na.		