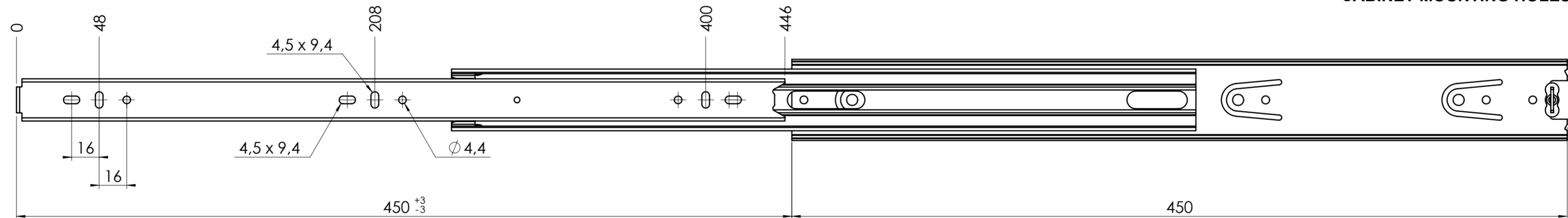


CABINET MOUNTING HOLES



△xx = check dimension , next free check number /1

RECOMMENDED HARDWARE:
 CABINET- 3.5mm SPAX M4 BUTTON HEAD OR #8 TRUSS HEAD SCREW
 DRAWER- 3.5mm SPAX M4 BUTTON HEAD OR #8 TRUSS HEAD SCREW

general tolerances		DIN ISO 128-30	
stamping part according Fulterer W18-001	plastic part according DIN ISO 16742 TG4	missing dimensions see 3D	
		⊕ = theor. intersection	
This drawing remains our property and may not be multiplied neither be disclosed to third parties (§§1,3 and 5 from the copyright Act (UrhG)) covered according to DIN ISO 16016			
(k)	scale:	surface:	material, semi finished parts:
(l)	1:2		STEEL
(i)	date	name	(technical requirements Fulterer)
(h)	drawn 05-05-2022	CS	description: SIDE MOUNT FULL EXTENSION STANDARD MOUNTING HOLE DRAWER DISCONNECT
(g)	proven 00-00-0000	00	
(f)	Fulterer		drawing number: 5047.450-GA.T000
(e)			
(d)	Fulterer AG CH-9430 St. Margrethen		replaces version date:
(c)			
(b)			
(a)	0	00-00-0000	00
ind.	changes	date	na.