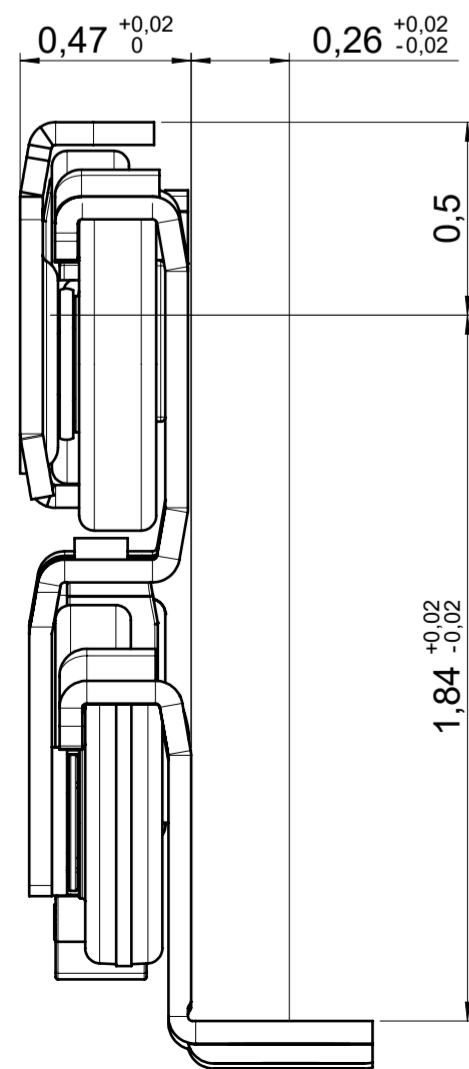
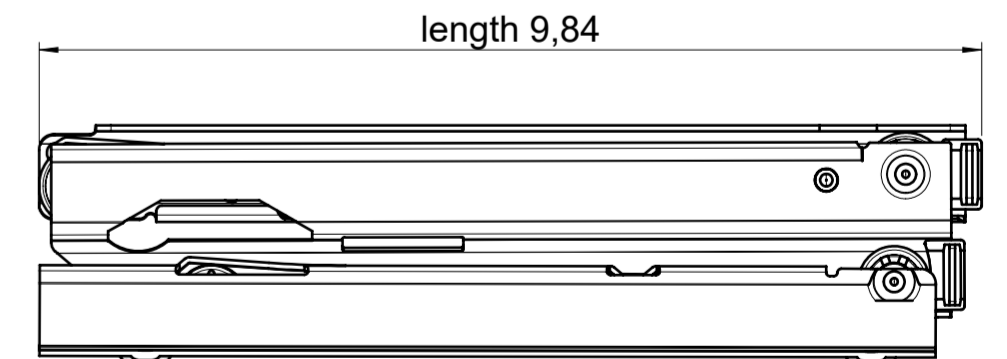
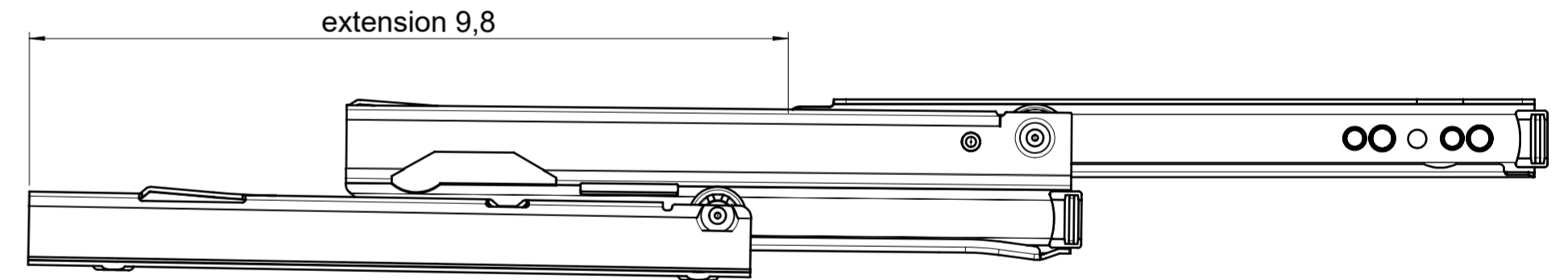
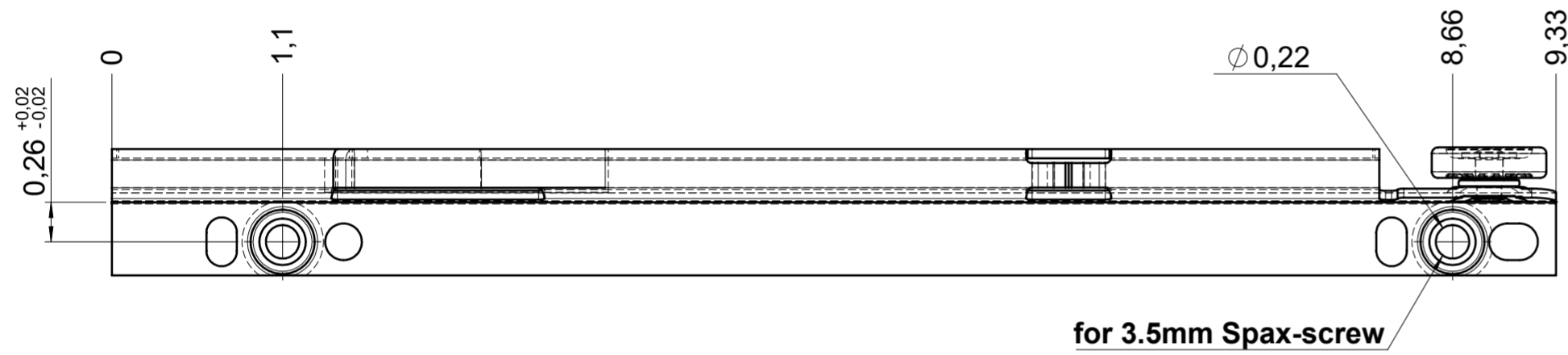
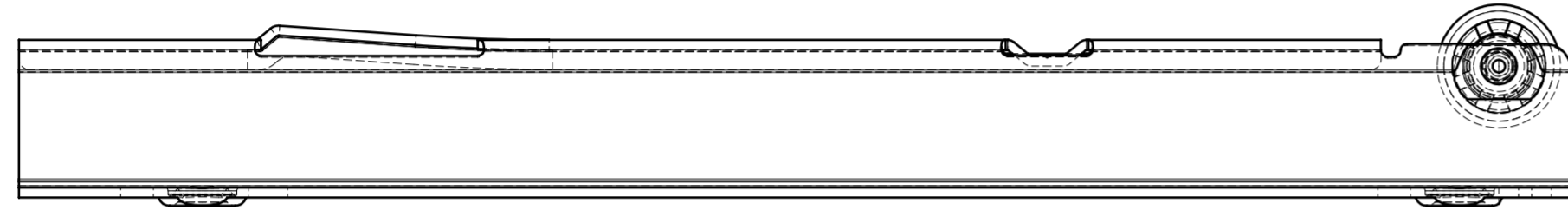
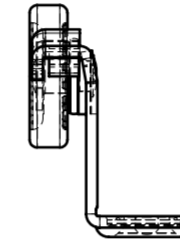
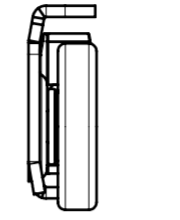
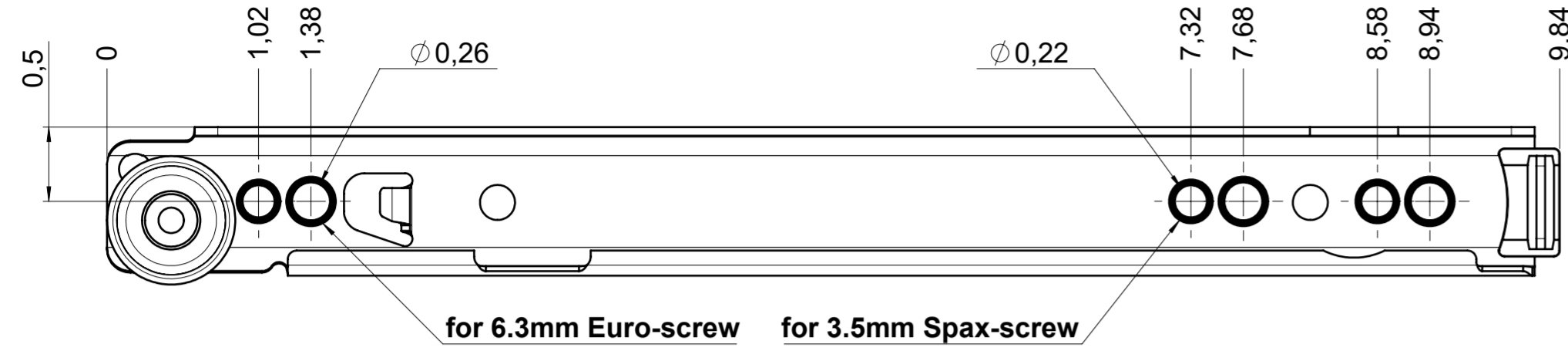


6500.250-GA.L120

drawn left (right mirrorimage)

dimensions without coating / maximum coating allowed 0.004in



final approval

customer name:

signed by:

date:

all dimensions in inch

⊕ DIN ISO 128-30
missing dimensions see 3D
⊕ = theor. intersection

This drawing remains our property and may not be multiplied neither be disclosed to third parties (§§1,3 and 5 from the copyright Act (UrhG)) covered according to DIN ISO 16016				scale: 1:1	surface:	material, semi finished parts: STEEL (technical requirements Fulterer)	A2
(k)				date	name	description: FR 6500 / 25 EN (inch) over-extension drawerside / bottom mount	drawing number: 6500.250-GA.L120
(l)				drawn 02-01-2023	pr		
(h)				proven 01-02-2023	pr		
(g)				Fulterer			
(f)							
(e)				Fulterer AG & Co KG		drawing number: 6500.250-GA.L120	replaces version date:
(d)				A-6890 Lustenau / Austria			
(c)				Fulterer AG			
(b)				CH-9430 St. Margrethen			
(a)				changes	date	na.	