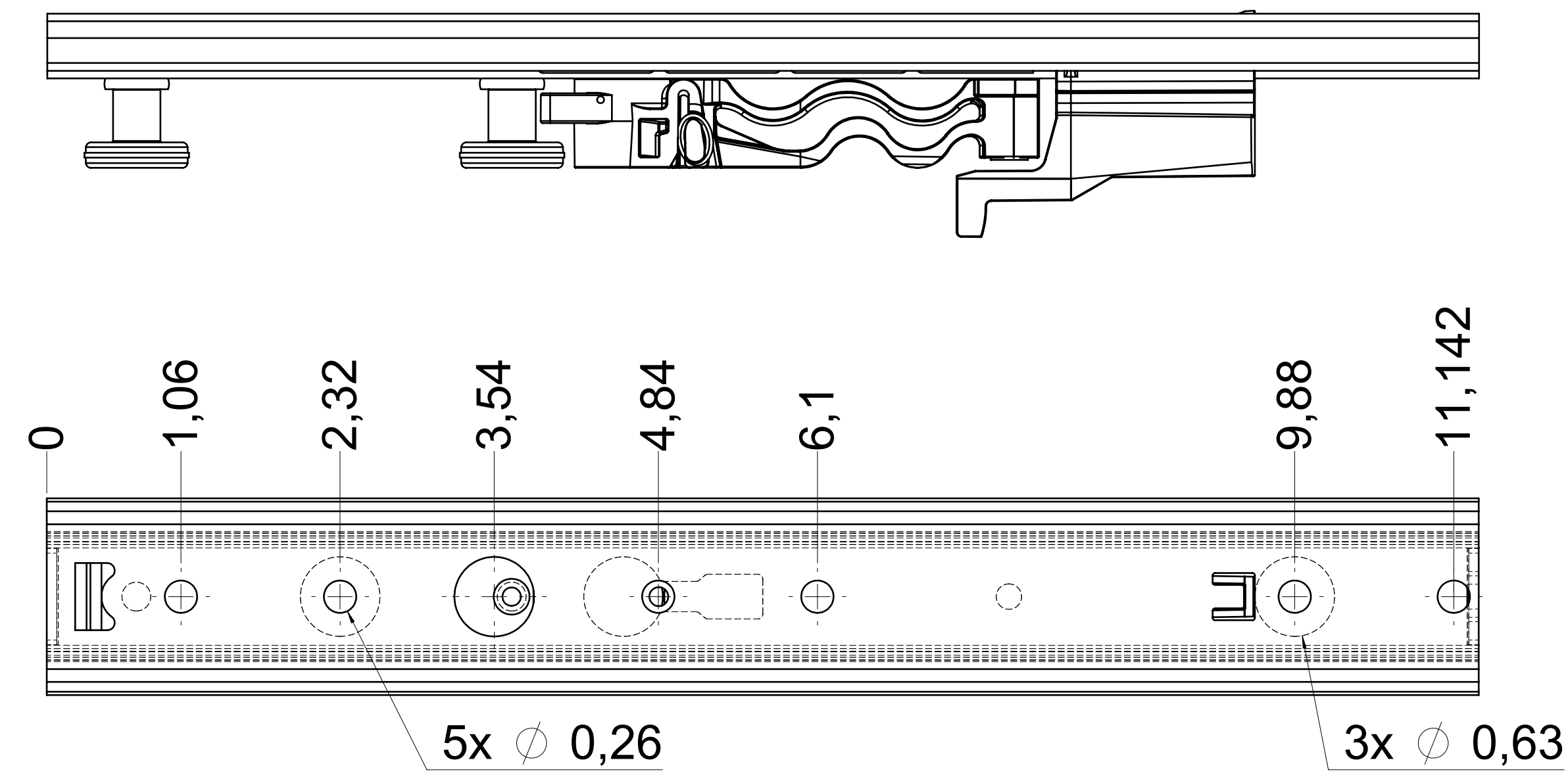


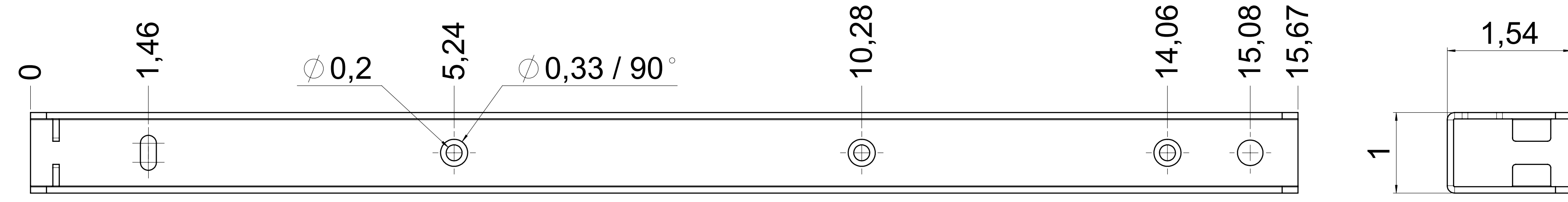
dimensions without coating / maximum coating allowed 0.1mm

X

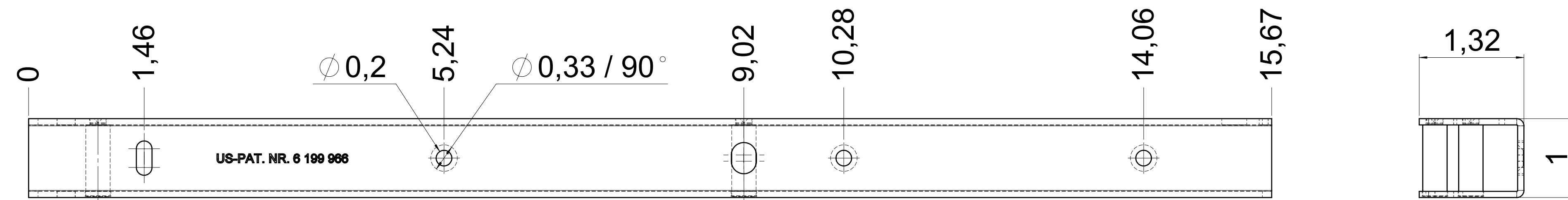
top guide cabinet profile



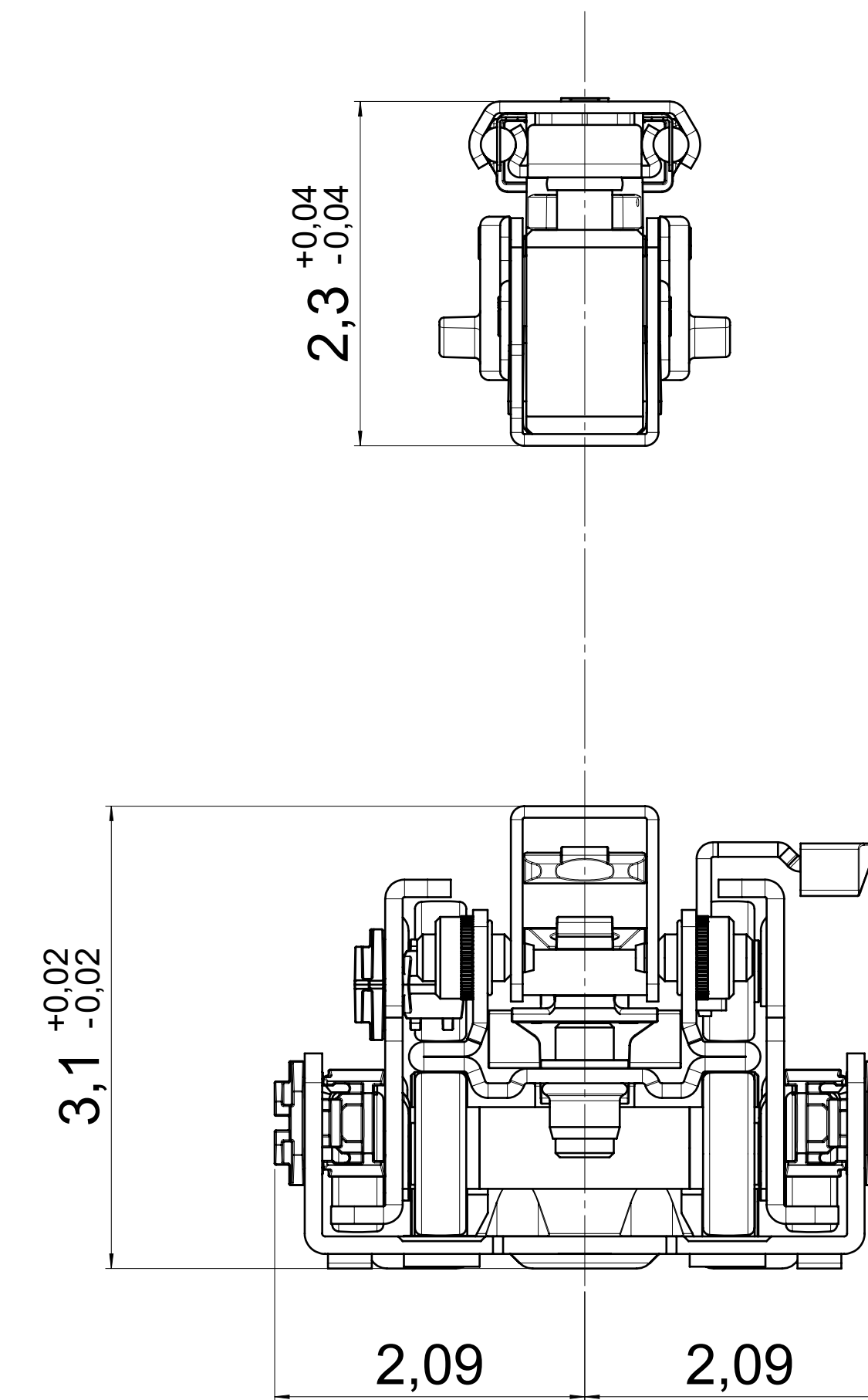
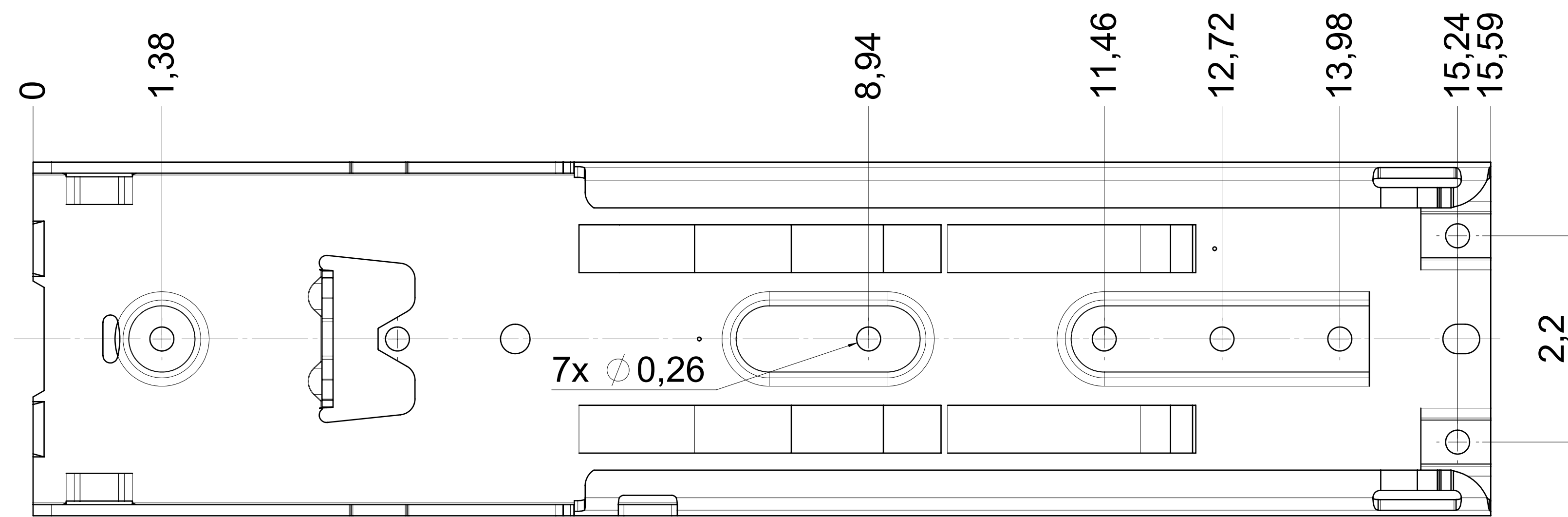
top guide drawer profile



bottom guide drawer profile



bottom guide cabinet profile



final approval

customer name:

signed by:

date:

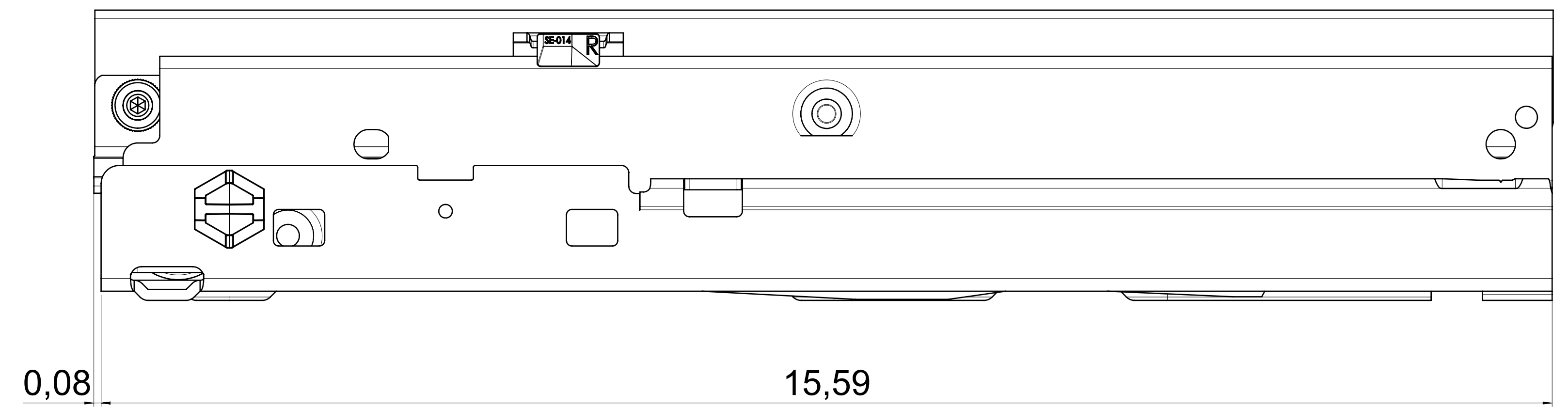
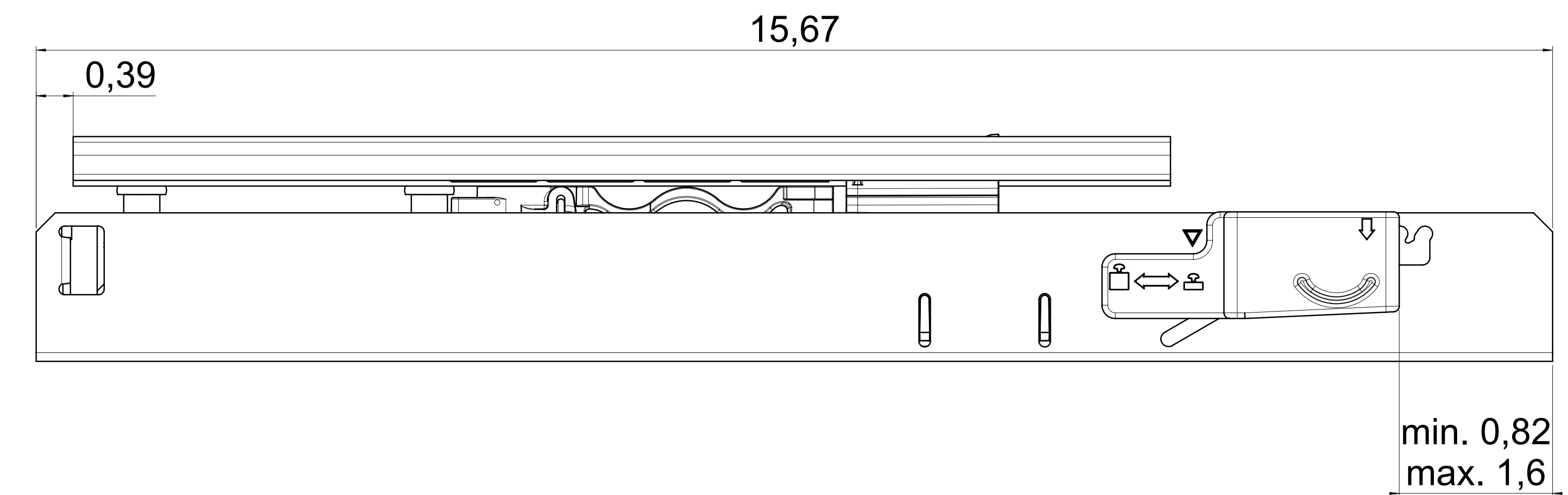
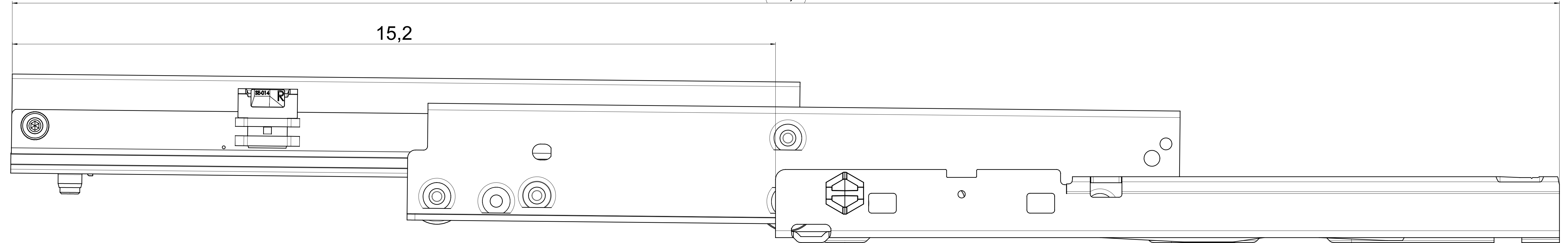
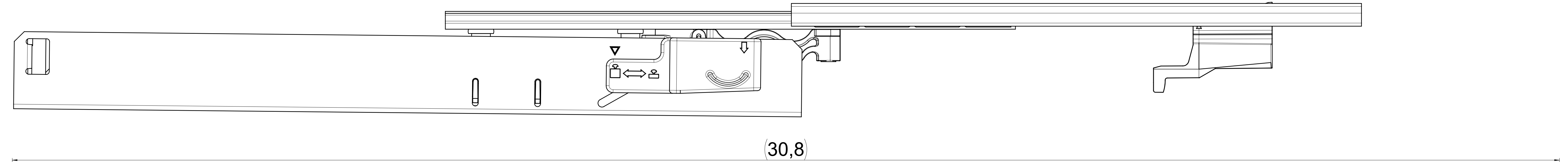
page 1 of 2

⚠ = check dimension, next free check number

all dimensions in inch		DIN ISO 128-30 missing dimensions see 3D = theor. intersection	
This drawing remains our property and may not be disclosed to third parties (§§1,3 and 5 from the copyright Act (UrhG)) covered according to DIN ISO 16015			
scale:	1:1	surface:	steel (technical requirements Filterer)
drawn:	07-12-2022	date:	
proven:	00-00-0000	name:	GB
		description:	FR 771A / 40 - EN (inch) progressive-action full-extension drawerslide / bottom mount
		material:	semi finished parts
		drawing number:	771A.400-GA.0000
		replaces version date:	
changes	date	na.	

dimensions without coating / maximum coating allowed 0.1mm

X



final approval

customer name: _____

signed by: _____

date: _____

page 2 of 2 ⚠ = check dimension , next free check number ⚠

all dimensions in inch

This drawing remains our property and may not be multiplied neither be disclosed to third parties (§§1,3 and 5 from the copyright Act (UrhG)) covered according to DIN ISO 15016

scale:	1:1	surface:	steel
material:	semi finished parts	material:	steel
technical requirements:	Filterer	technical requirements:	Filterer
drawn:	07-12-2022	name:	GB
proven:	00-00-0000	description:	FR 771A / 40 - EN (inch)
			progressive-action full-extension
			drawerslide / bottom mount
		drawing number:	771A.400-GA.0000
		replaces version:	GB1C

Filterer AG & Co KG
A-6800 Lustenau / Austria
CH-8430 St. Margrethen

Copyright © 2022 Filterer AG