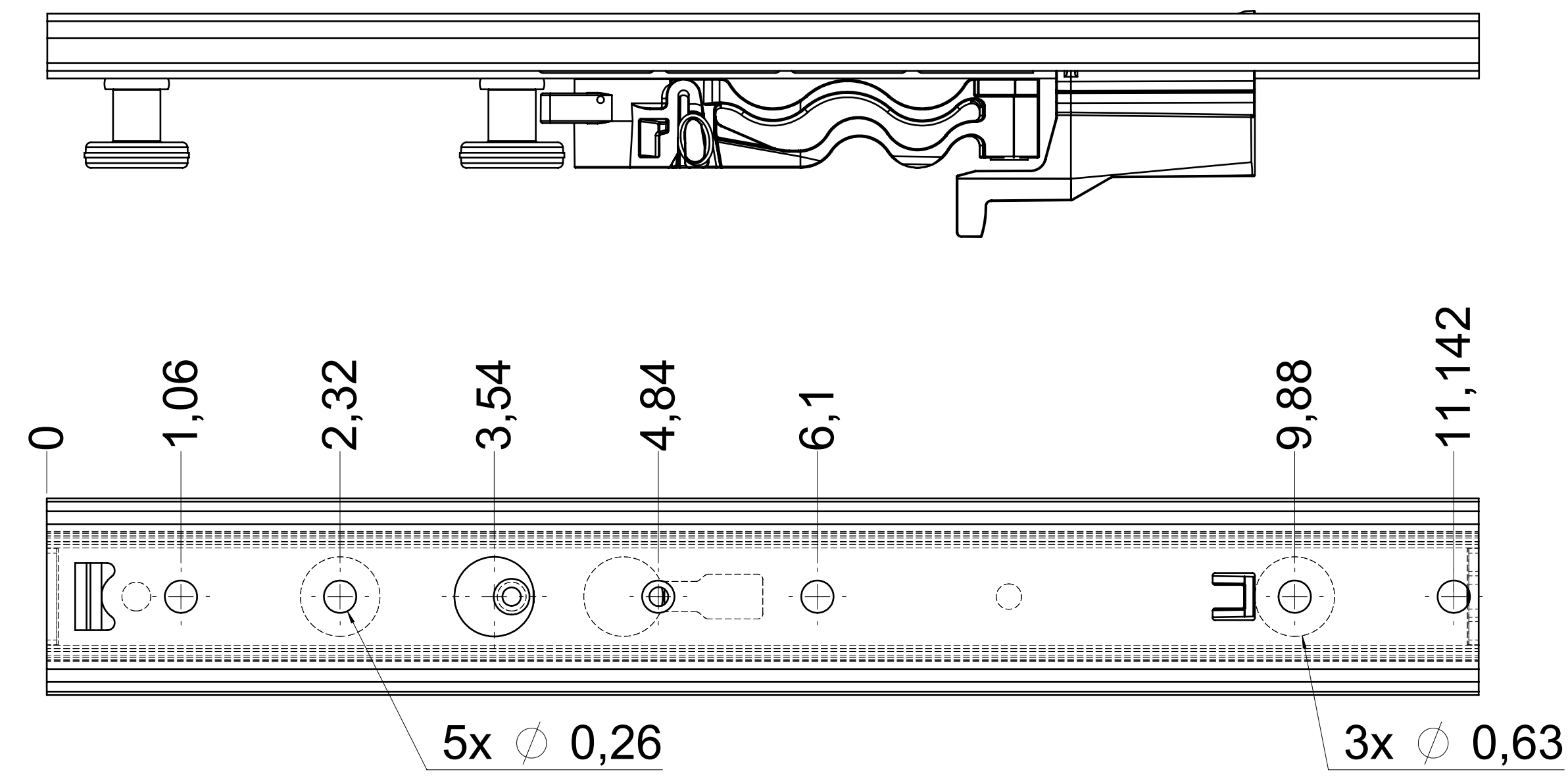


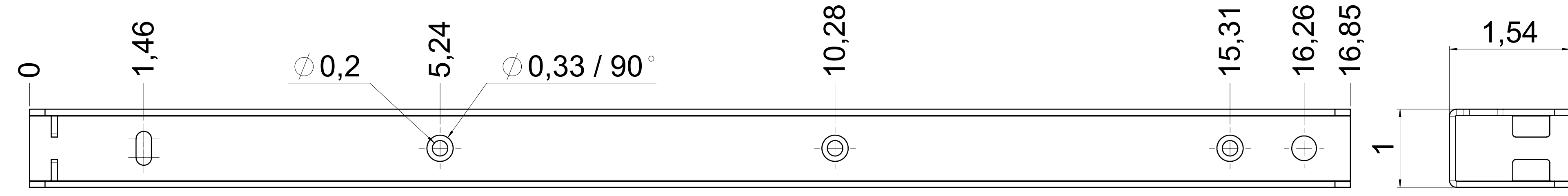
dimensions without coating / maximum coating allowed 0.1mm

X

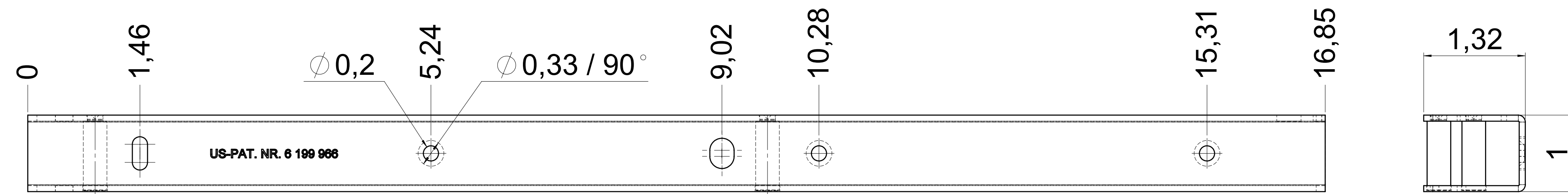
top guide cabinet profile



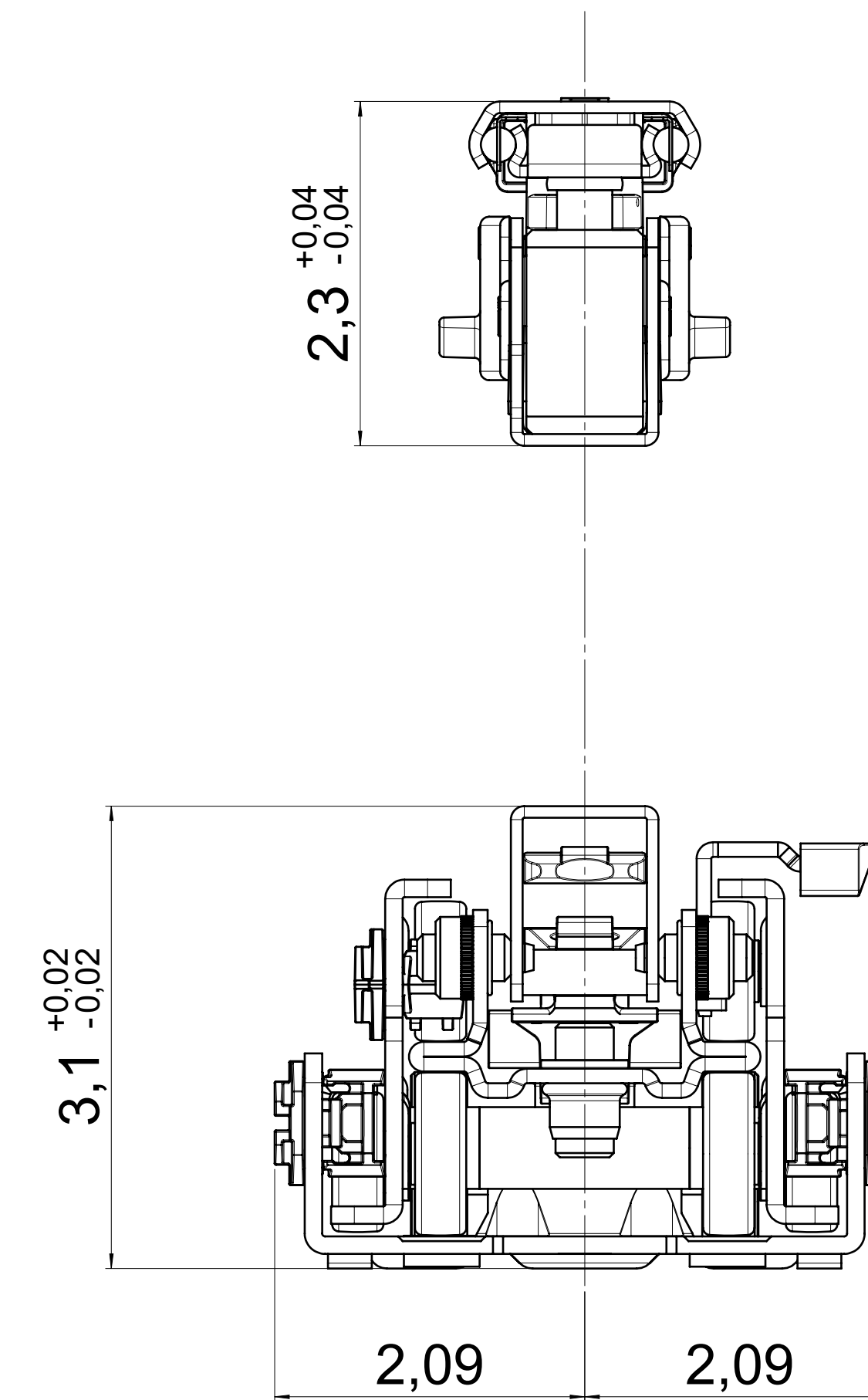
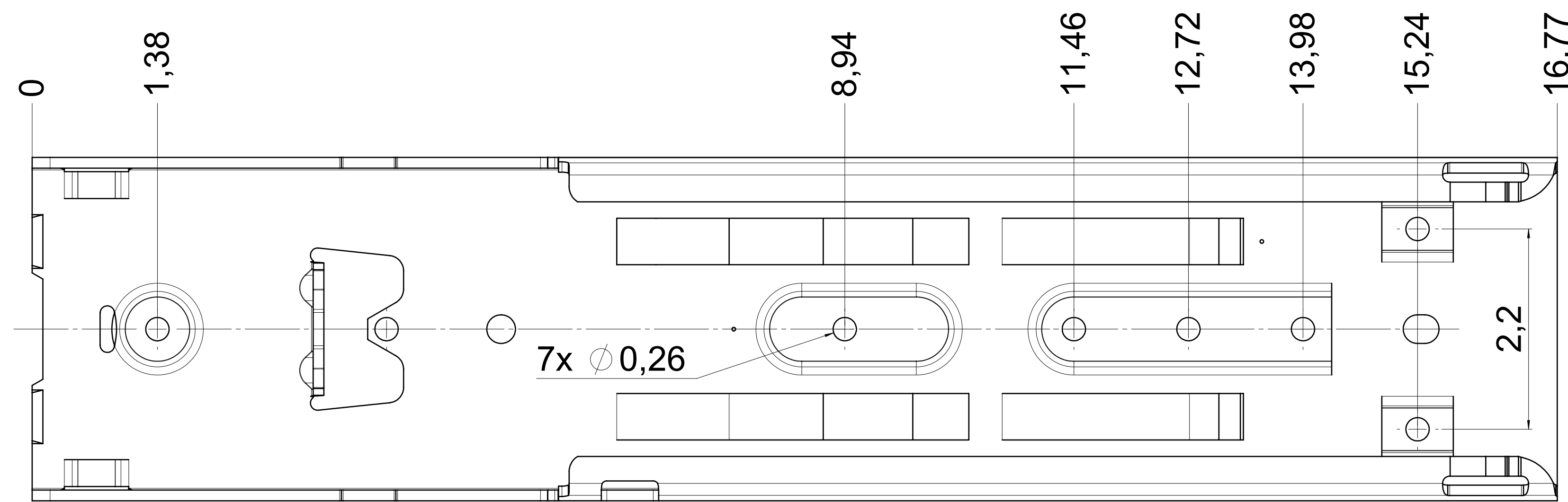
top guide drawer profile



bottom guide drawer profile



bottom guide cabinet profile



⚠ = check dimension, next free check number

final approval

customer name:

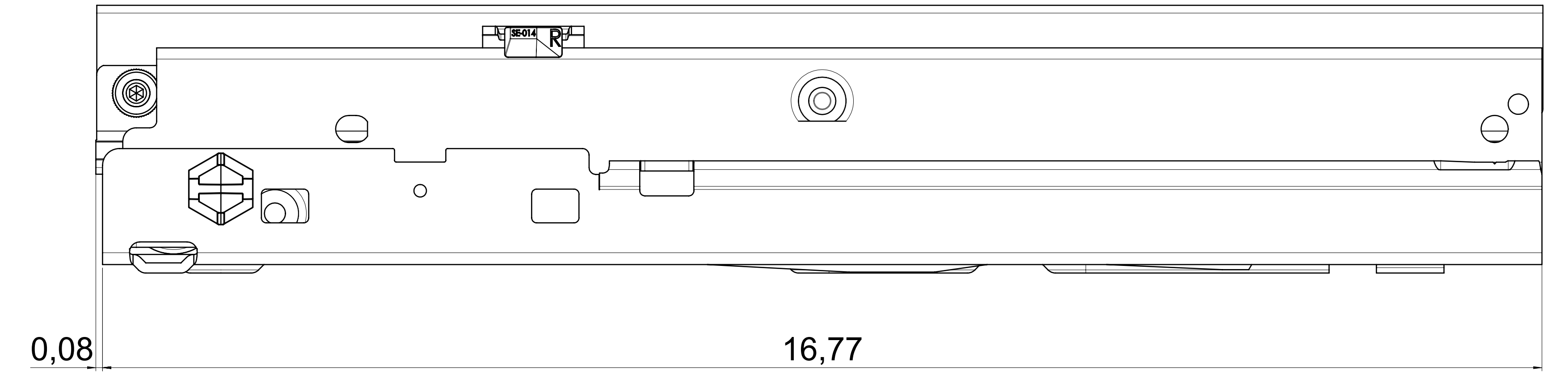
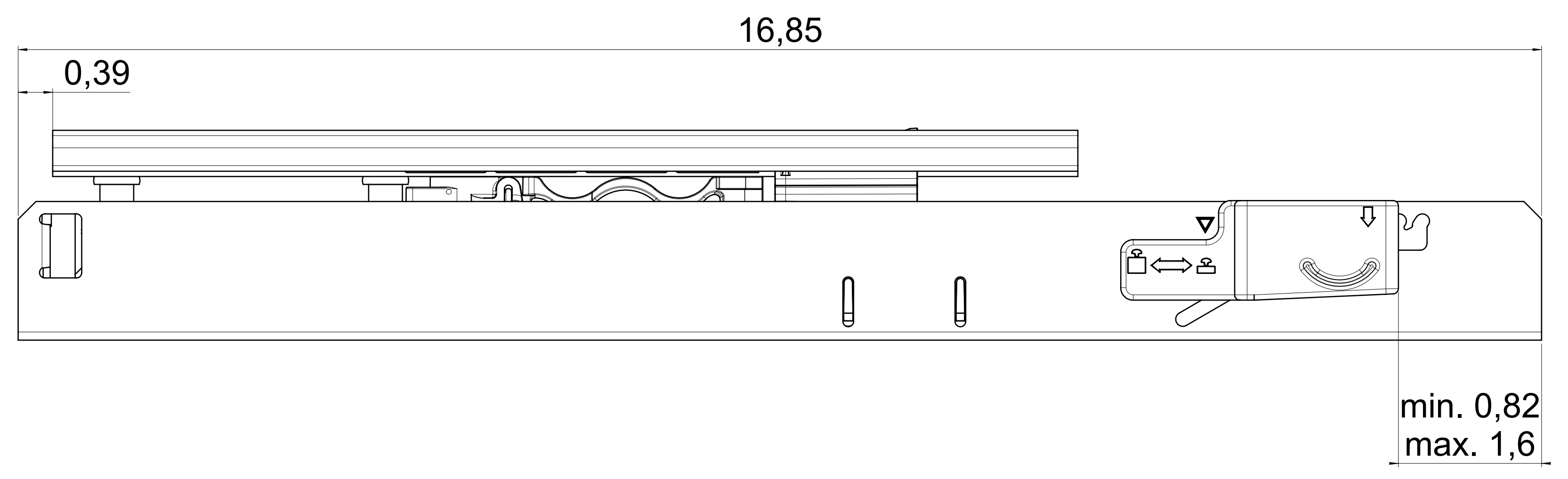
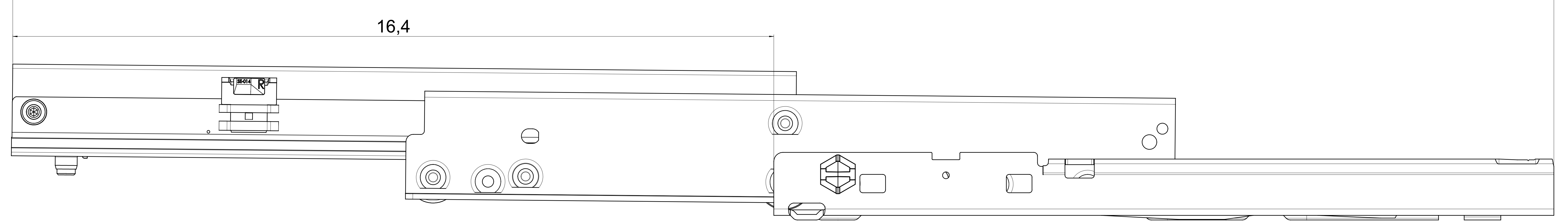
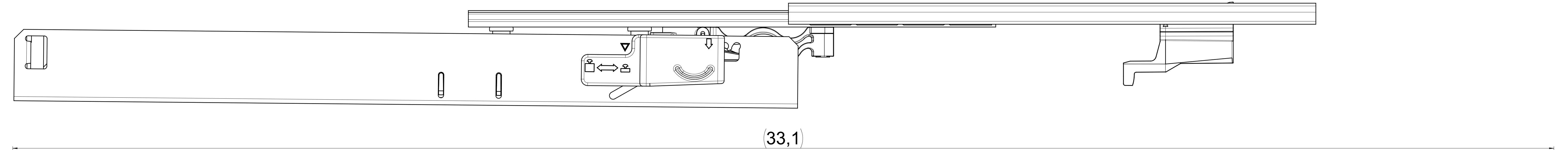
signed by:

date:

all dimensions in inch				DIN ISO 128-30 missing dimensions see 3D = theor. intersection	
This drawing remains our property and may not be multiplied neither be disclosed to third parties (§§1,3 and 5 from the copyright Act (UrhG)) covered according to DIN ISO 16016				material: semi finished parts: AO	
scale:	1:1	surface:	steel	(technical requirements Filterer)	
drawn:	07-12-2022	date:	GB	description: FR 771A / 43 - EN (inch)	
proven:	00-00-0000	name:	00	progressive-action full-extension drawerslide / bottom mount	
Filterer AG & Co KG A-6800 Lustenau / Austria			drawing number: 771A.430-GA.0000		
C4-8430 St. Margrethen			replaces version 636c		
changes:	date:	na:			

dimensions without coating / maximum coating allowed 0.1mm

X



⚠ = check dimension , next free check number

final approval

customer name: _____

signed by: _____

date: _____

<p>all dimensions in inch</p> <p>This drawing remains our property and may not be multiplied neither be disclosed to third parties (§§1,3 and 5 from the copyright Act (UrhG)) covered according to DIN ISO 16016</p>		<p>scale: 1:1</p> <p>surface: steel</p> <p>material: semi finished parts</p>	<p>DIN ISO 128-30</p> <p>missing dimensions see 3D</p> <p>= theor. intersection</p>
<p>drawn 07-12-2022</p> <p>proven 09-09-2022</p>	<p>date</p> <p>name</p> <p>GB</p> <p>00</p>	<p>description:</p> <p>FR 771A / 43 - EN (inch)</p> <p>progressive-action full-extension</p> <p>drawerslide / bottom mount</p>	<p>AO</p>
<p>Filterer</p> <p>Filterer AG & Co KG</p> <p>A-6800 Lustenau / Austria</p> <p>CH-8430 St. Margrethen</p>		<p>drawing number:</p> <p>771A.430-GA.0000</p> <p>replaces version 6816:</p>	
<p>changes</p> <p>date</p> <p>na.</p>			