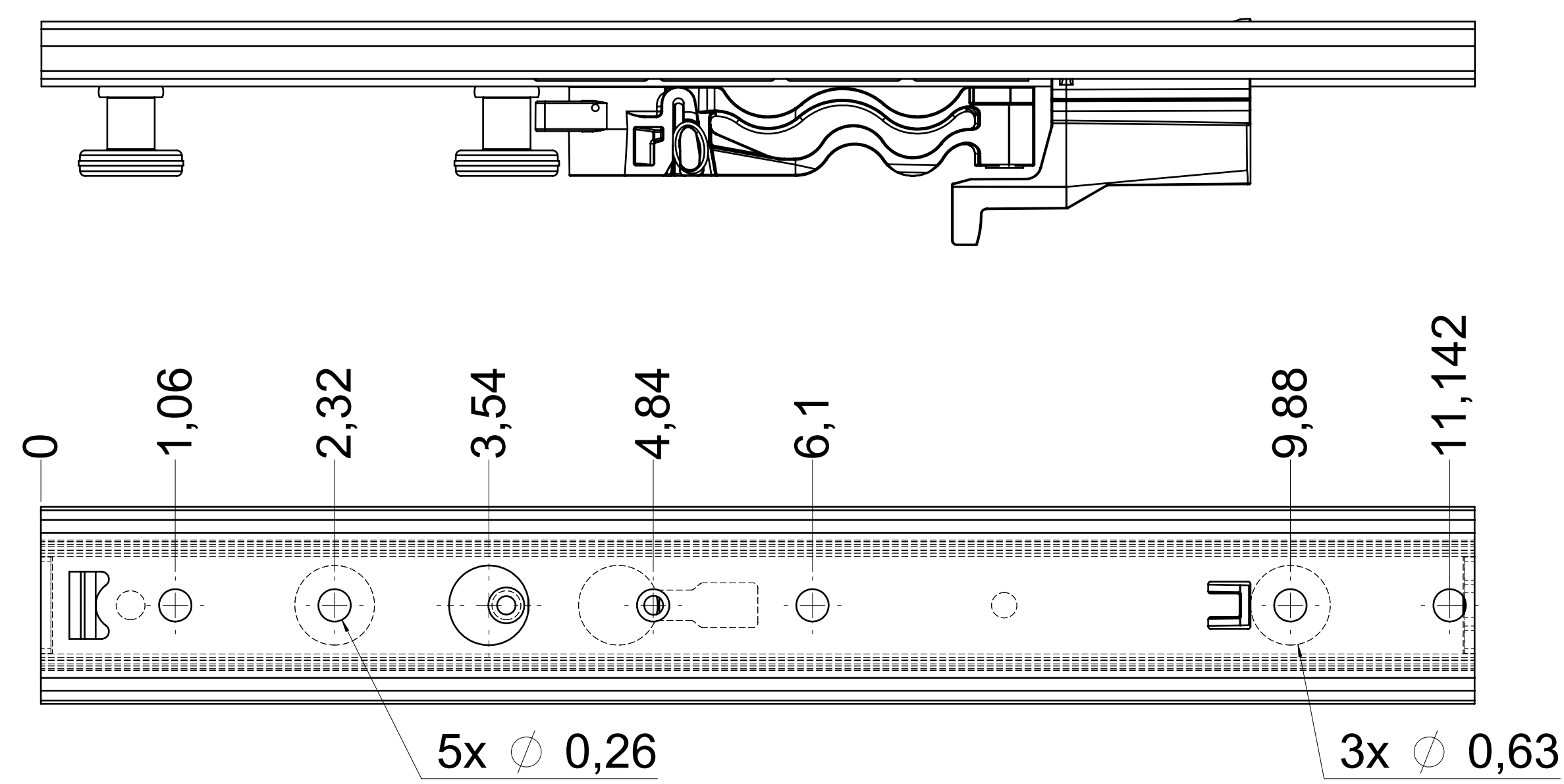
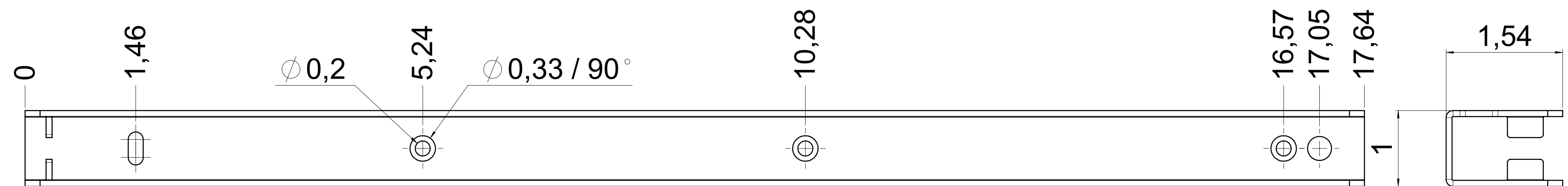


dimensions without coating / maximum coating allowed 0.1mm

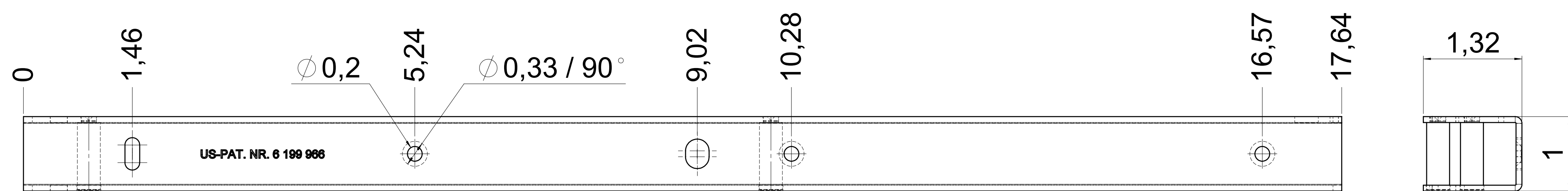
top guide cabinet profile



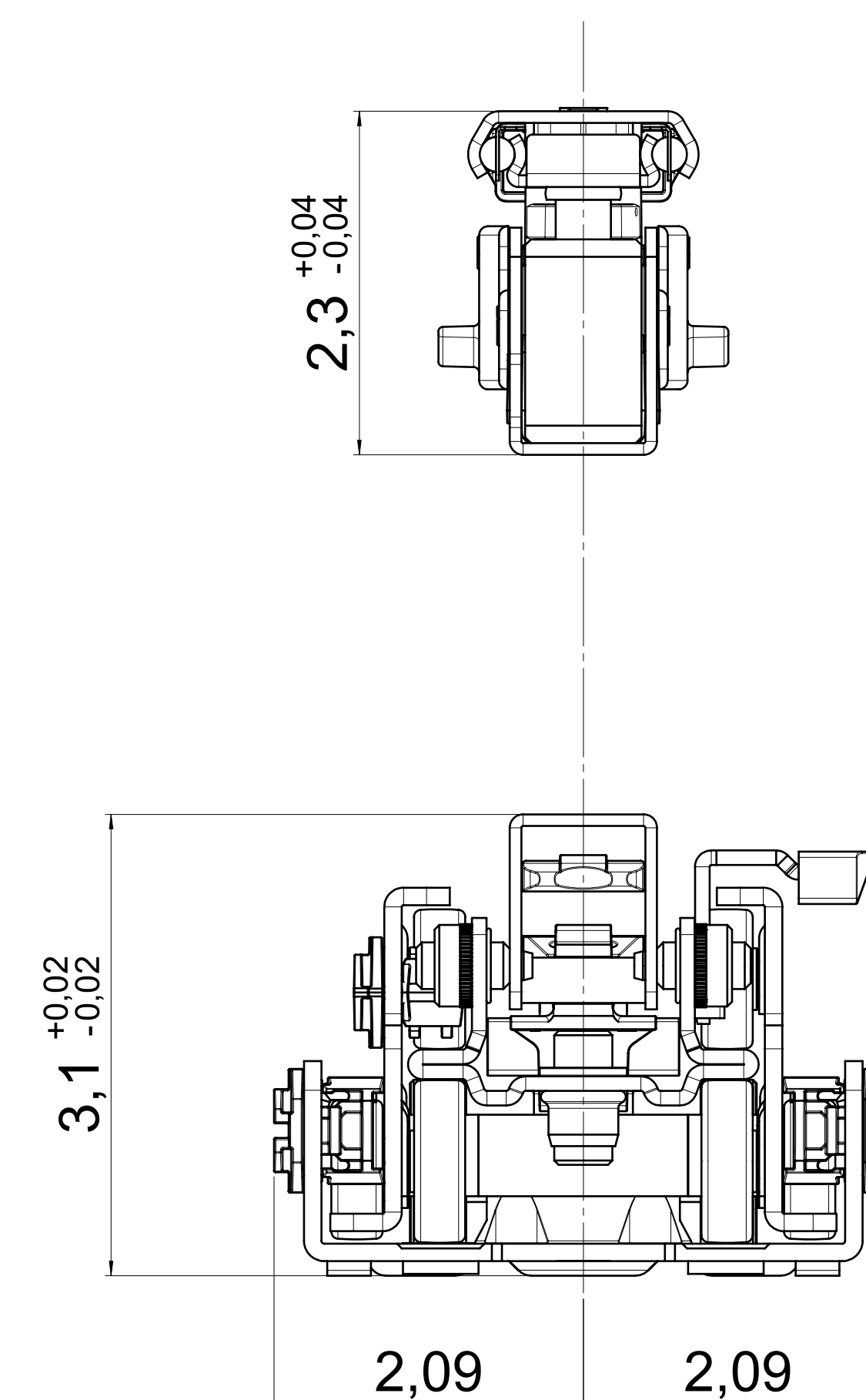
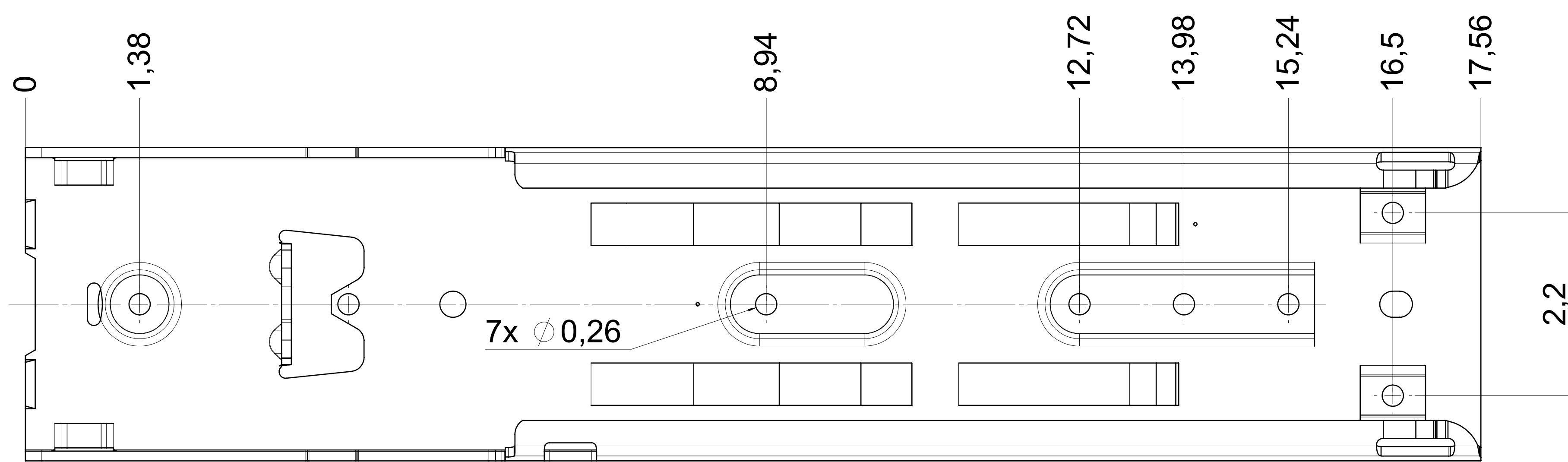
top guide drawer profile



bottom guide drawer profile



bottom guide cabinet profile



final approval

customer name:

signed by:

date:

all dimensions in inch

covered according to DIN ISO 15015		scale: 1:1	surface: steel	material: semi finished parts	AO
drawn: 07-12-2022		date: 07-12-2022	name: GB	description: FR 771A / 45 - EN (inch)	
proven: 09-09-2000		date: 09-09-2000	name: 00	description: progressive-action full-extension drawerslide / bottom mount	
Filterer AG & Co KG		Filterer AG		drawing number: 771A.450-GA.0000	
A-6890 Lustenau / Austria		C14-8430 St. Margrethen		replaces version 636c	
changes	date	na.	includes: beabarger		

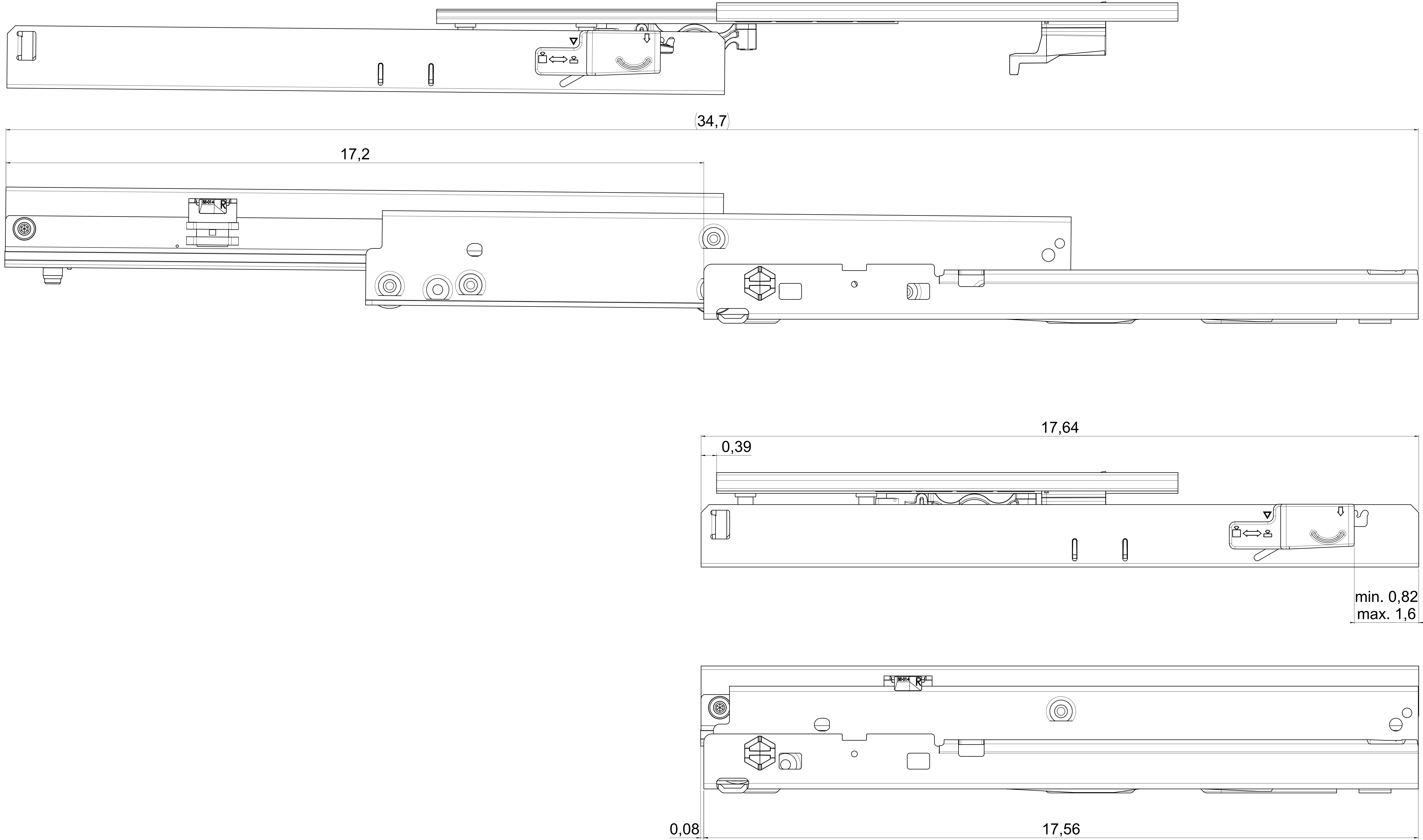
Δ = check dimension, next free check number

DIN ISO 128-30 missing dimensions see 3D = theor. intersection

This drawing remains our property and may not be disclosed to third parties (§§1,3 and 5 from the copyright Act (UrHG))

dimensions without coating / maximum coating allowed 0.1mm

X



final approval

customer name: _____

signed by: _____

date: _____

<p>all dimensions in inch</p> <p>This drawing remains our property and may not be disclosed to third parties (§§1,3 and 5 from the copyright Act (UrhG)) covered according to DIN ISO 16016</p>		<p>DIN ISO 128-30 missing dimensions see 3D = theor. intersection</p>	
scale:	1:1	surface:	steel (technical requirements Filterer)
material:	semi finished parts	material:	FR 771A / 45 EN (inch) progressive-action full-extension drawerslide / bottom mount
drawn:	07-12-2022 GB	description:	FR 771A / 45 EN (inch) progressive-action full-extension drawerslide / bottom mount
proven:	00-00-0000 00	drawing number:	771A.450-GA.0000
<p>Filterer</p> <p>Filterer AG & Co KG A-6800 Lustenau / Austria CH-8430 St. Margrethen</p>		<p>replaces version 0416:</p>	
changes	date	na.	incl. date