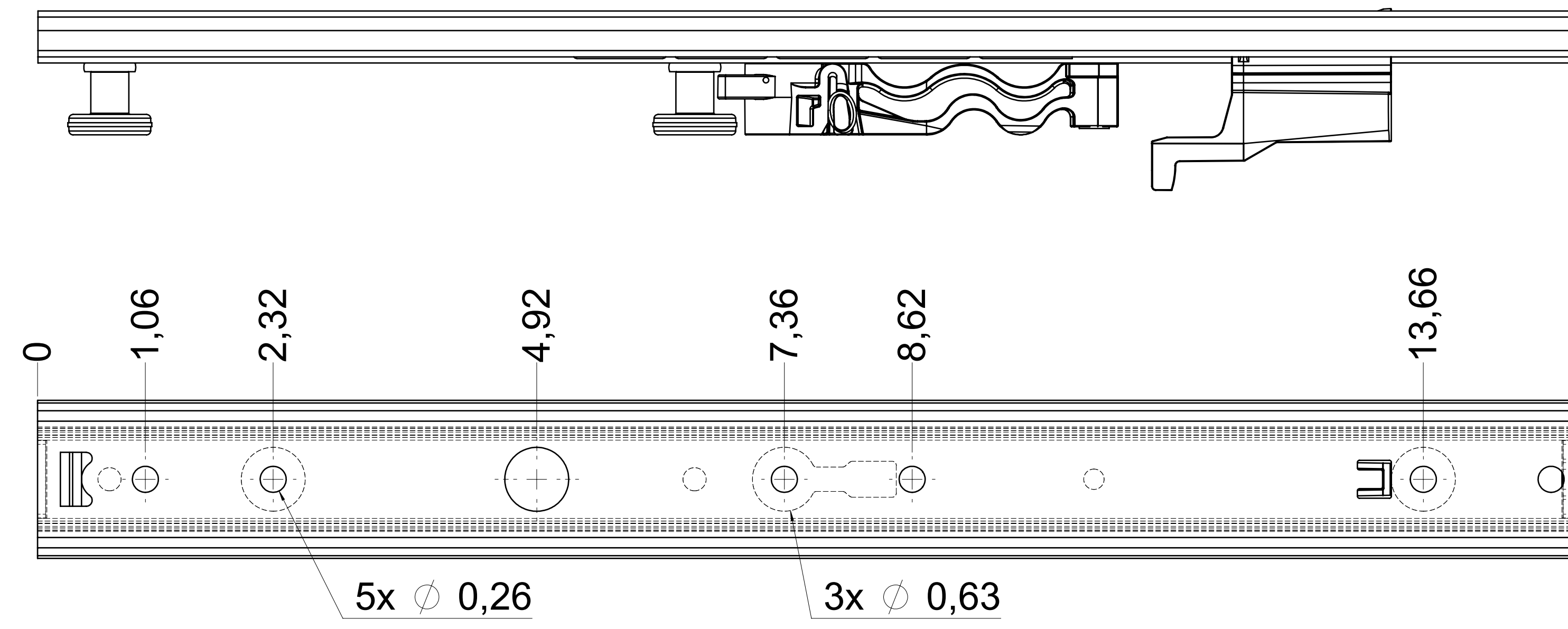


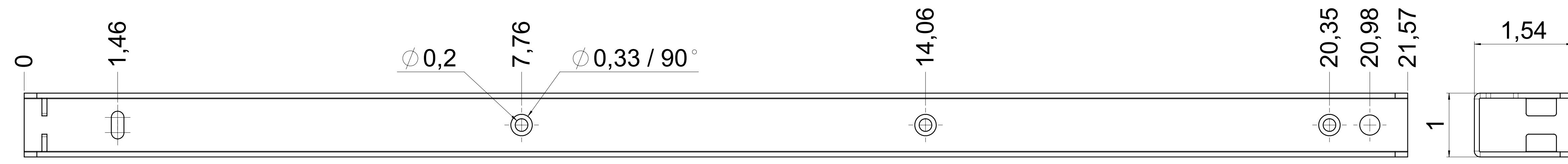
dimensions without coating / maximum coating allowed 0.1mm

X

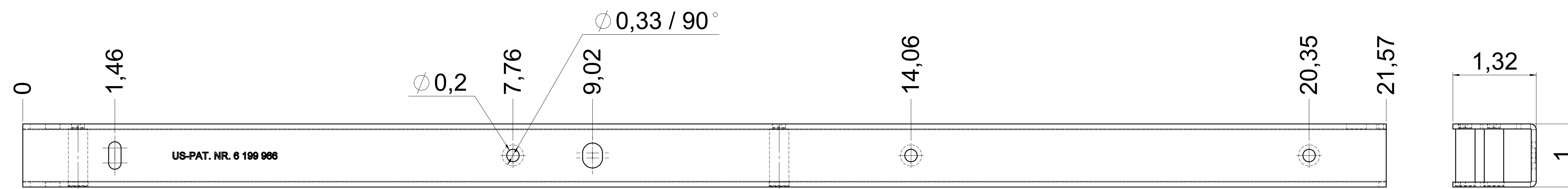
top guide cabinet profile



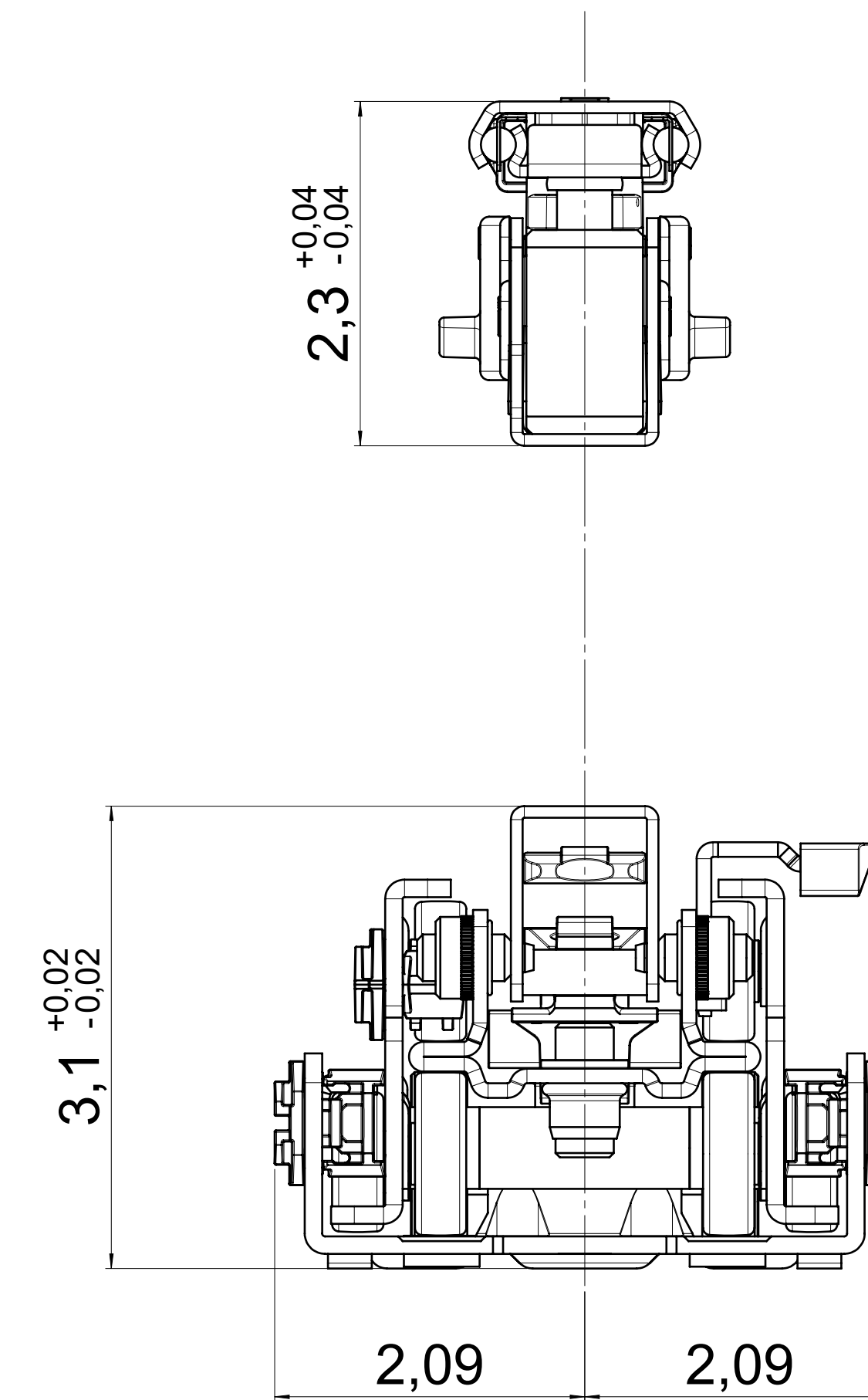
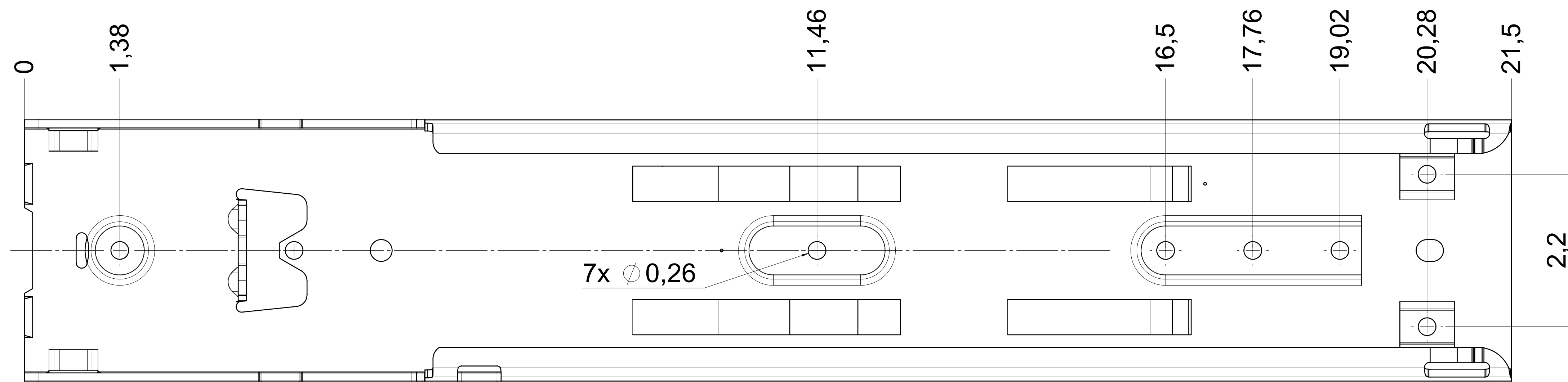
top guide drawer profile



bottom guide drawer profile



bottom guide cabinet profile



final approval

customer name:

signed by:

date:

page 1 of 2

all dimensions in inch

This drawing remains our property and may not be multiplied neither be disclosed to third parties (§§1,3 and 5 from the copyright Act (UrhG)) covered according to DIN ISO 15016

scale: 1:1 surface: steel (technical requirements Filterer)

material: semi finished parts: AO

drawn: 07-12-2022 name: GB description: FR 771A / 55 - EN (inch) progressive-action full-extension drawerslide / bottom mount

proven: 09-09-2000 name: 00

Filterer

Filterer AG & Co KG A-6890 Lustenau / Austria drawing number: 771A.550-GA.0000 replaces version 03/02

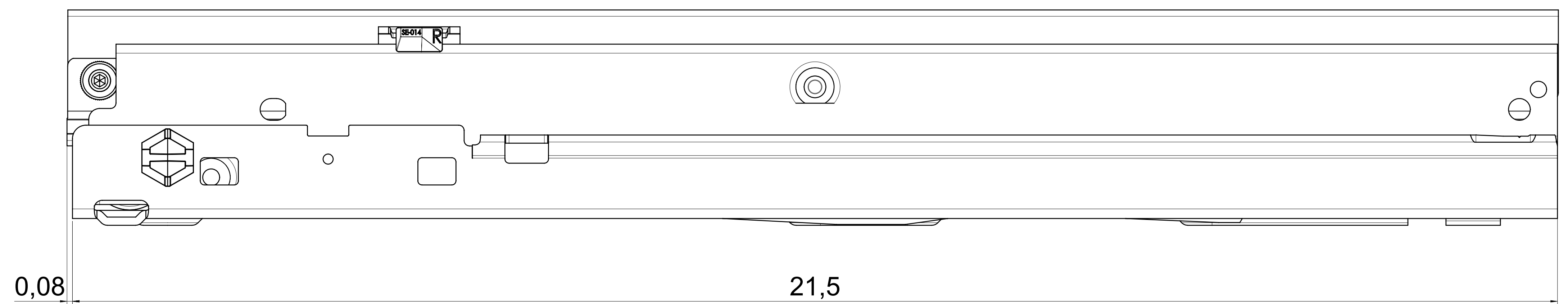
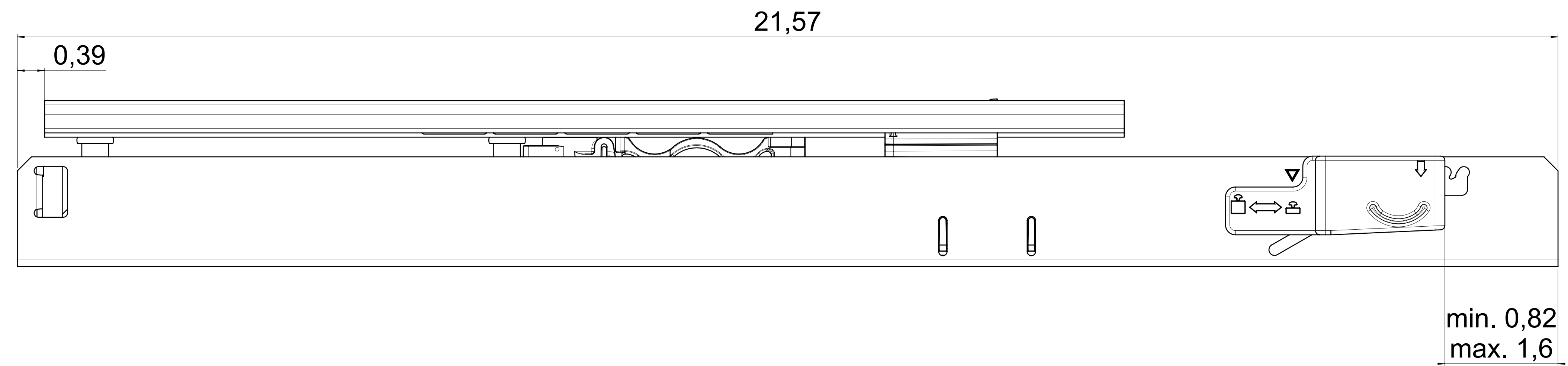
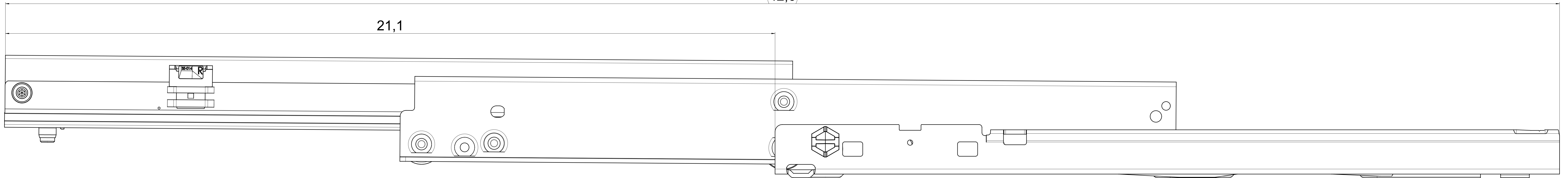
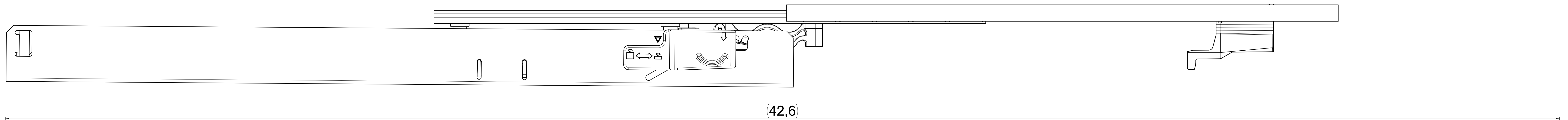
changes date na Friday, 05. Februar 2022 07:22:08

= check dimension, next free check number = theor. intersection

DIN ISO 128-30 missing dimensions see 3D = theor. intersection

dimensions without coating / maximum coating allowed 0.1mm

X



⚠ = check dimension , next free check number ⚠

final approval

customer name: _____

signed by: _____

date: _____

all dimensions in inch		DIN ISO 128-30 missing dimensions see 3D = theor. intersection	
This drawing remains our property and may not be multiplied neither be disclosed to third parties (§§1,3 and 5 from the copyright Act (UrhG)) covered according to DIN ISO 15015			
scale:	1:1	surface:	steel
material:	semi finished parts	AO	
drawn:	07-12-2022	name:	GB
proven:	00-00-0000	description:	FR 771A / 55 - EN (inch)
		progressive-action full-extension drawerslide / bottom mount	
		Filterer	
Filterer AG & Co KG A-6800 Lustenau / Austria		drawing number: 771A.550-GA.0000	
C4-8430 St. Margrethen		replaces version date:	
changes	date	na.	incl. in list