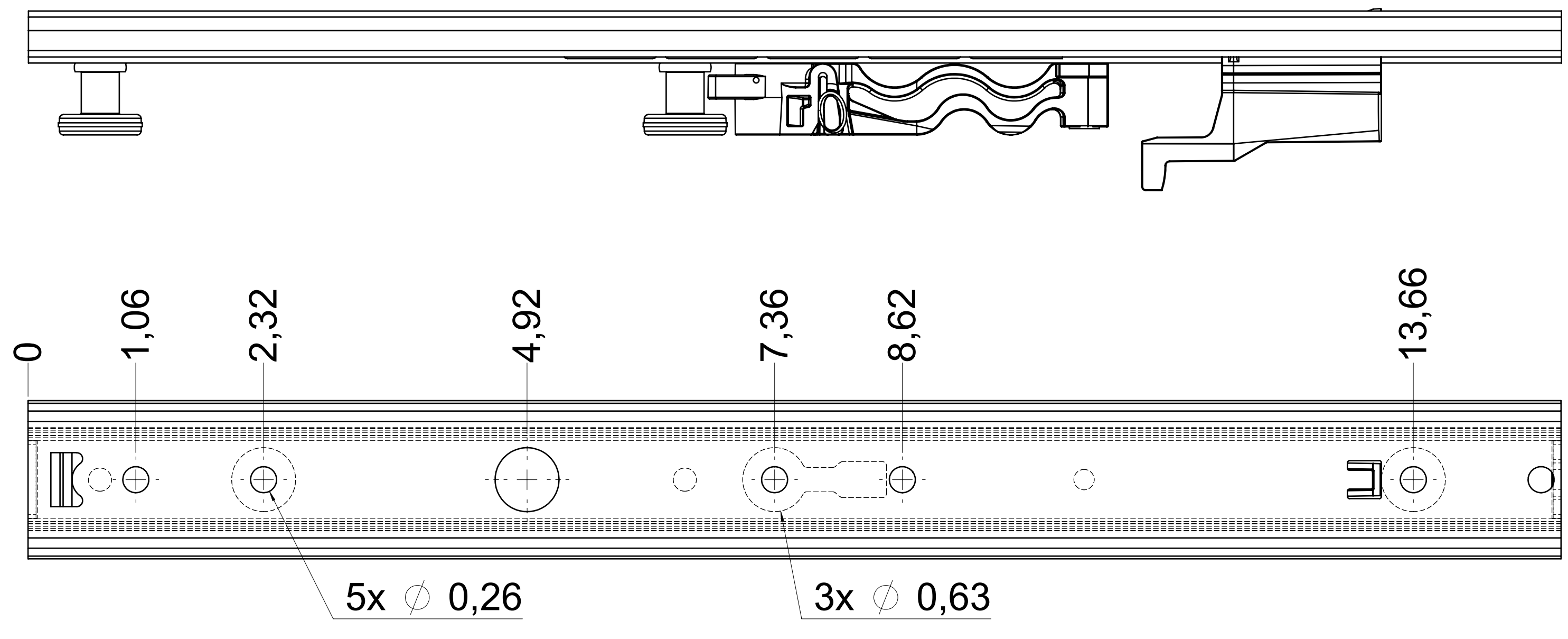
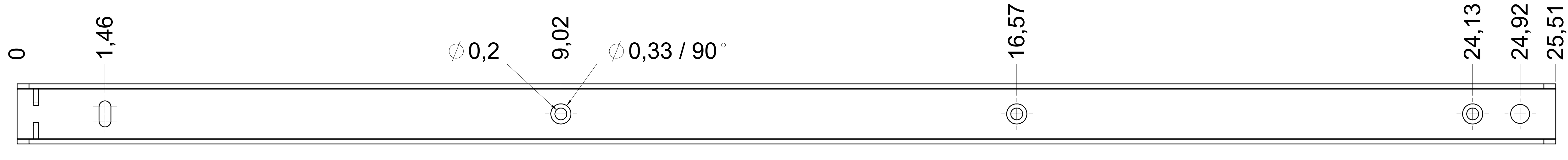


dimensions without coating / maximum coating allowed 0.1mm

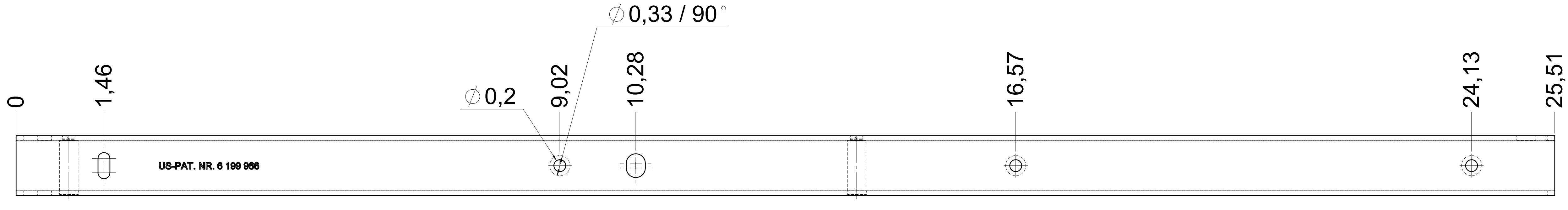
top guide cabinet profile



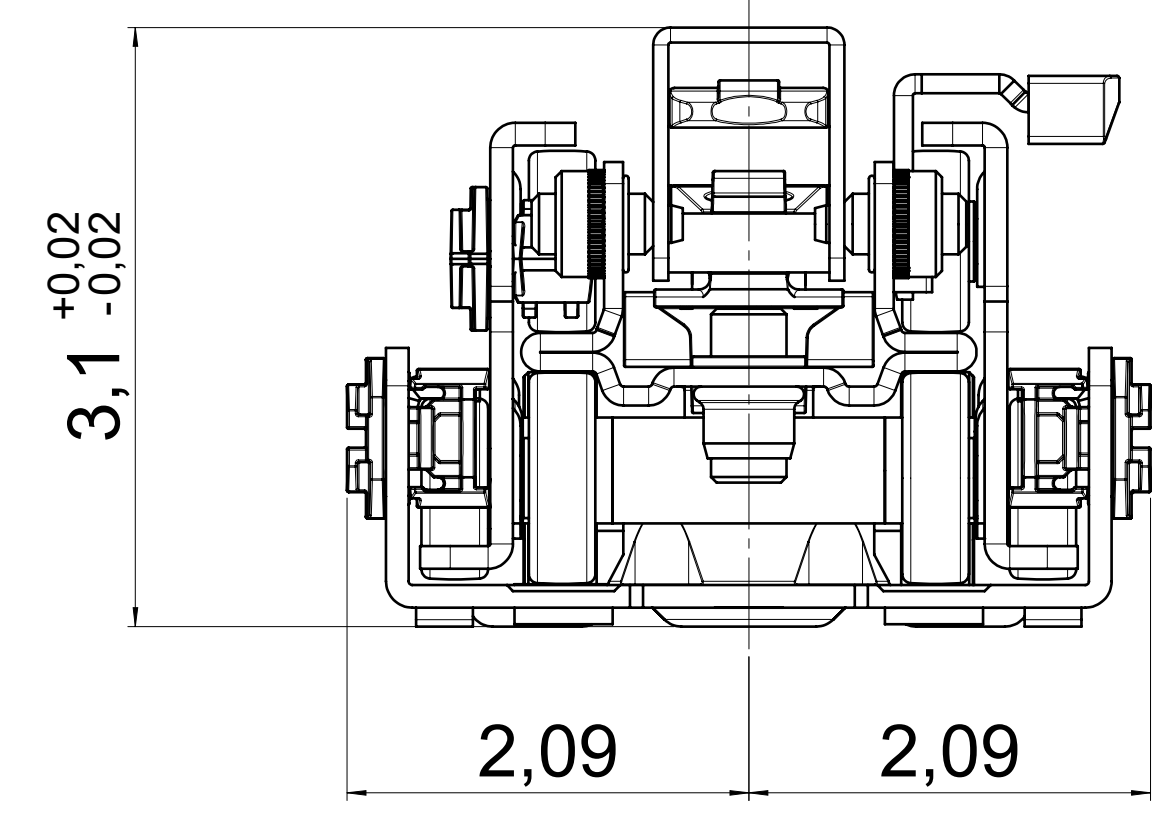
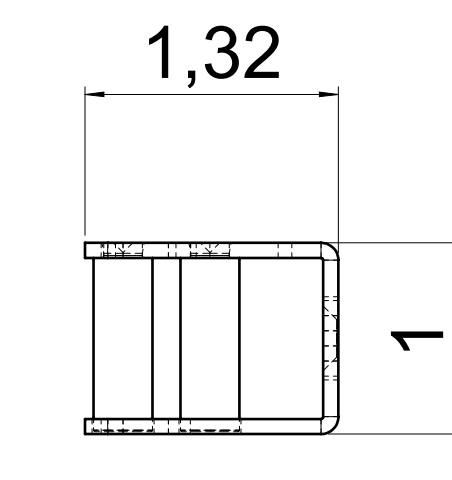
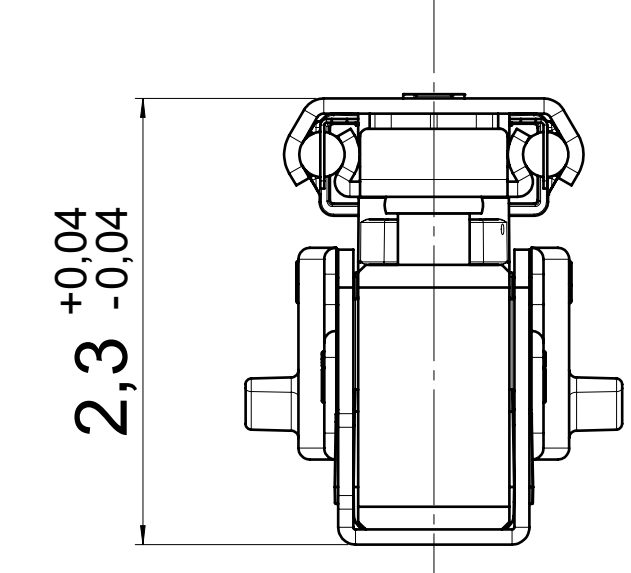
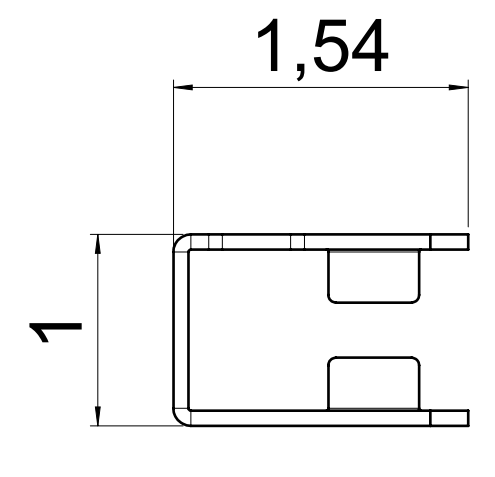
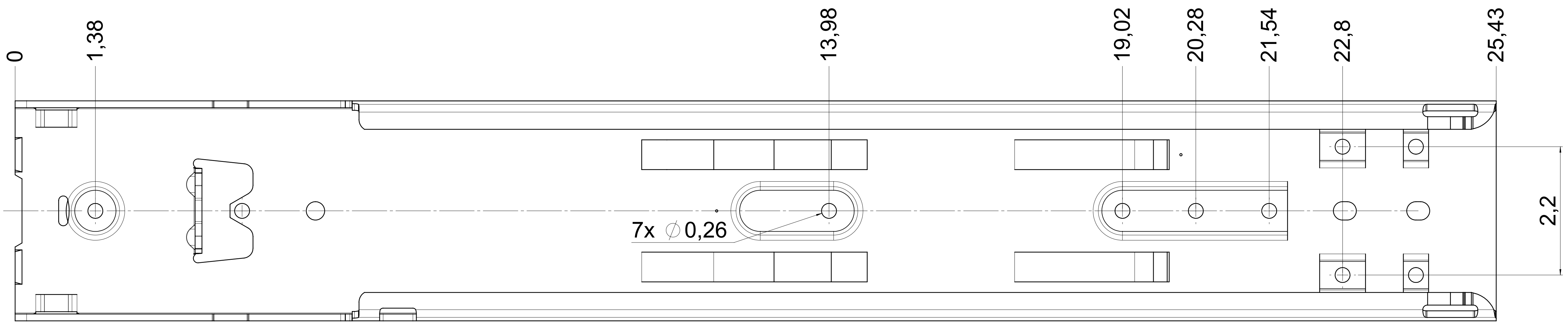
top guide drawer profile



bottom guide drawer profile



bottom guide cabinet profile



final approval

customer name: _____

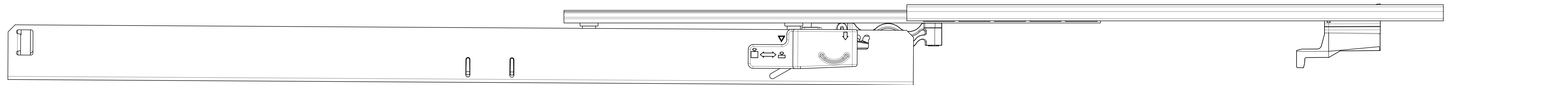
signed by: _____

date: _____

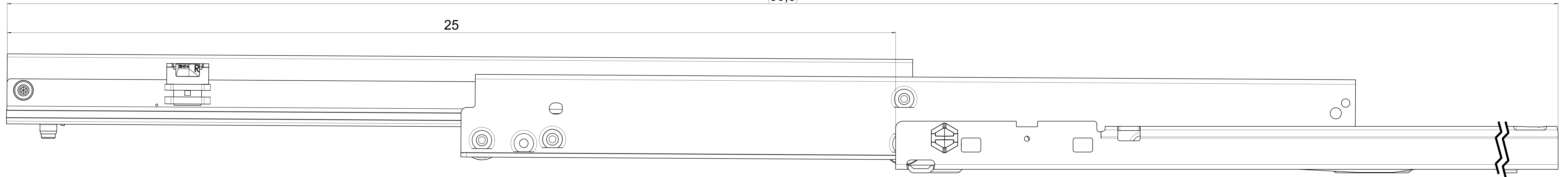
<p>all dimensions in inch</p> <p>This drawing remains our property and may not be disclosed to third parties (§§1,3 and 5 from the copyright Act (UrhG)). covered according to DIN ISO 15015</p>		<p>DIN ISO 128-30 missing dimensions see 3D = theor. intersection</p>	
scale:	1:1	surface:	steel
material:	semi finished parts		AO
drawn:	07-12-2022	name:	GB
proven:	00-00-0000	description:	FR 771A / 65 - EN (inch)
			progressive-action full-extension drawerslide / bottom mount
			Filterer
			Filterer AG & Co KG A-6800 Lustenau / Austria
			771A.650-GA.0000
			replaces version 0416:
changes:	date:	na:	

dimensions without coating / maximum coating allowed 0.1mm

X

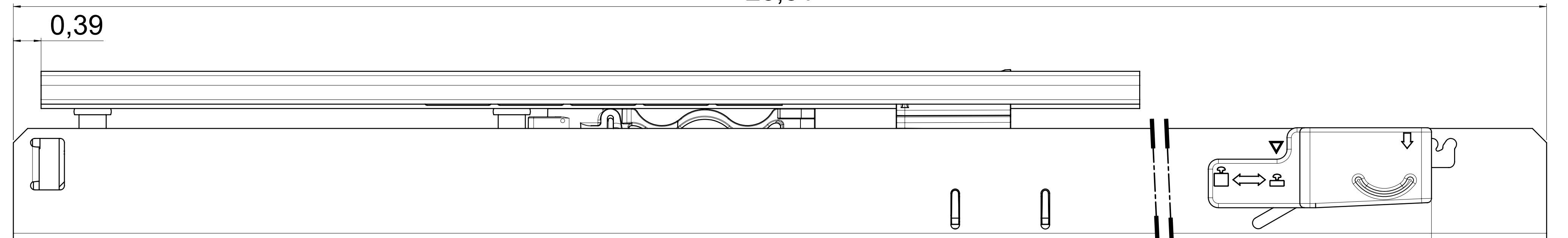


50,5



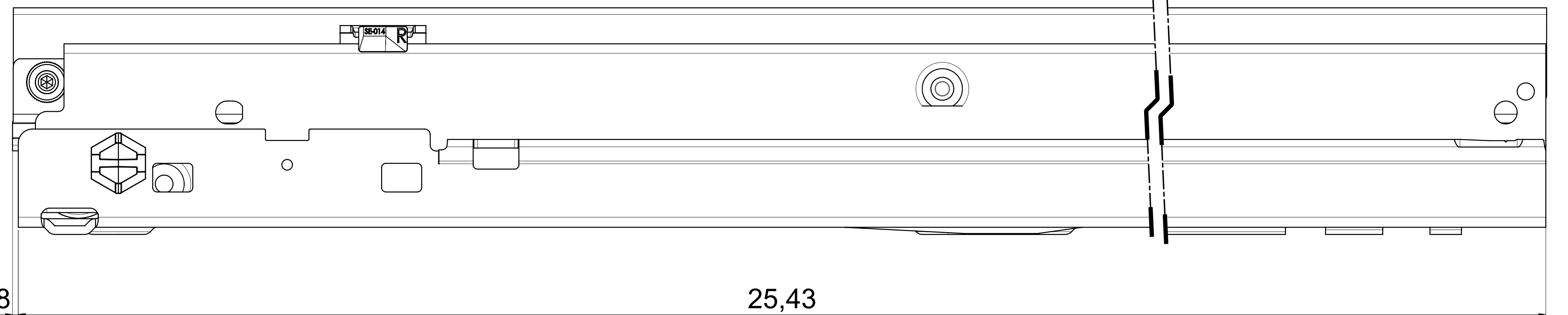
25

25,51



0,39

min. 0,82
max. 1,6



0,08

25,43

final approval

customer name: _____

signed by: _____

date: _____

all dimensions in inch		DIN ISO 128-30 missing dimensions see 3D = theor. intersection	
This drawing remains our property and may not be multiplied neither be disclosed to third parties (§§1,3 and 5 from the copyright Act (UrhG)). covered according to DIN ISO 16016			
scale:	1:1	surface:	steel (technical requirements Filterer)
drawn:	07-12-2022	name:	GB
proven:	00-00-0000	description:	FR 771A / 65 - EN (inch) progressive-action full-extension drawerslide / bottom mount
		drawing number:	771A.650-GA.0000
Filterer AG & Co KG A-6800 Lustenau / Austria		replaces version date:	
C4-8430 St. Margrethen		Friday, 03 February 2023 07:58:31	
changes	date	na.	includo beberger