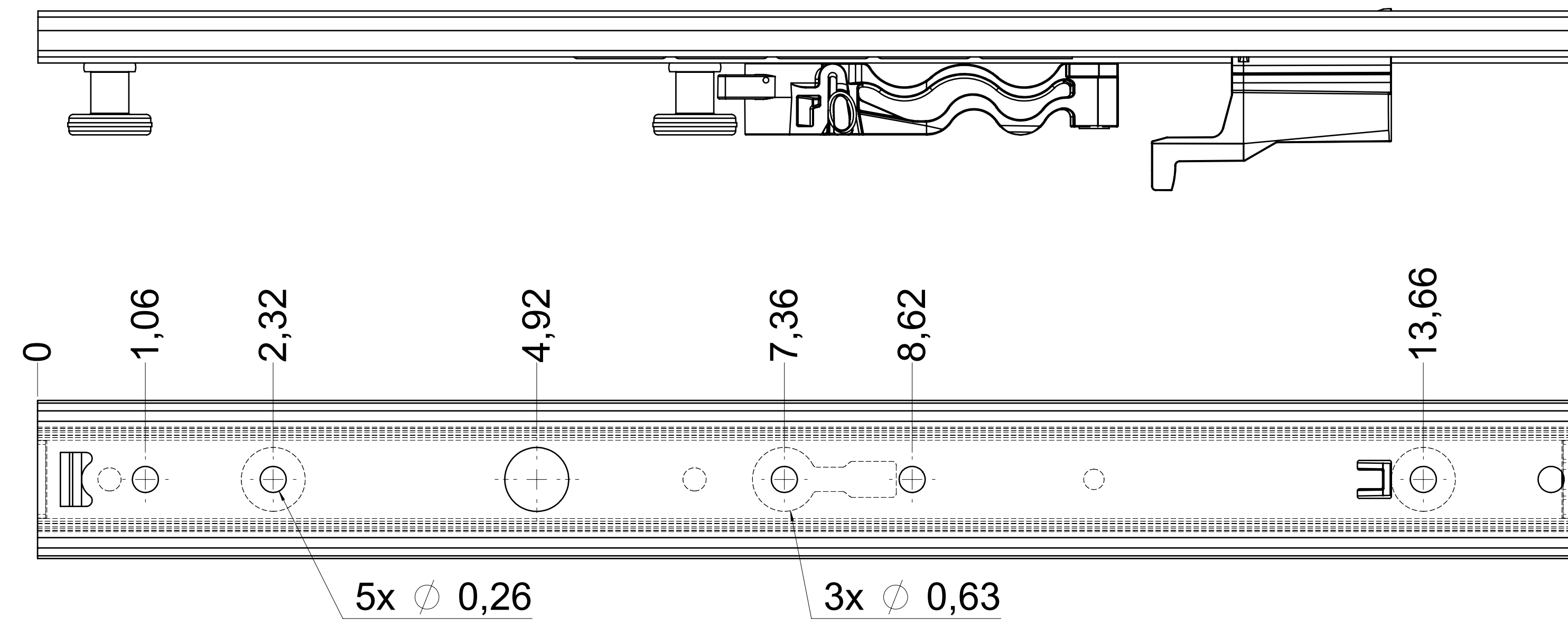


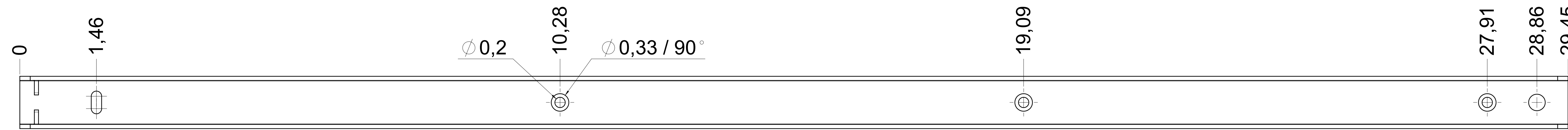
dimensions without coating / maximum coating allowed 0.1mm

X

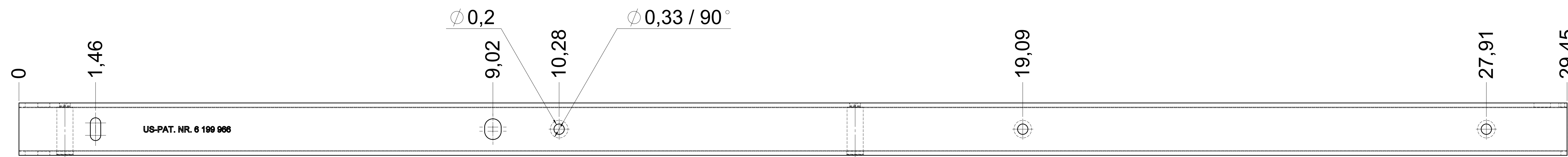
top guide cabinet profile



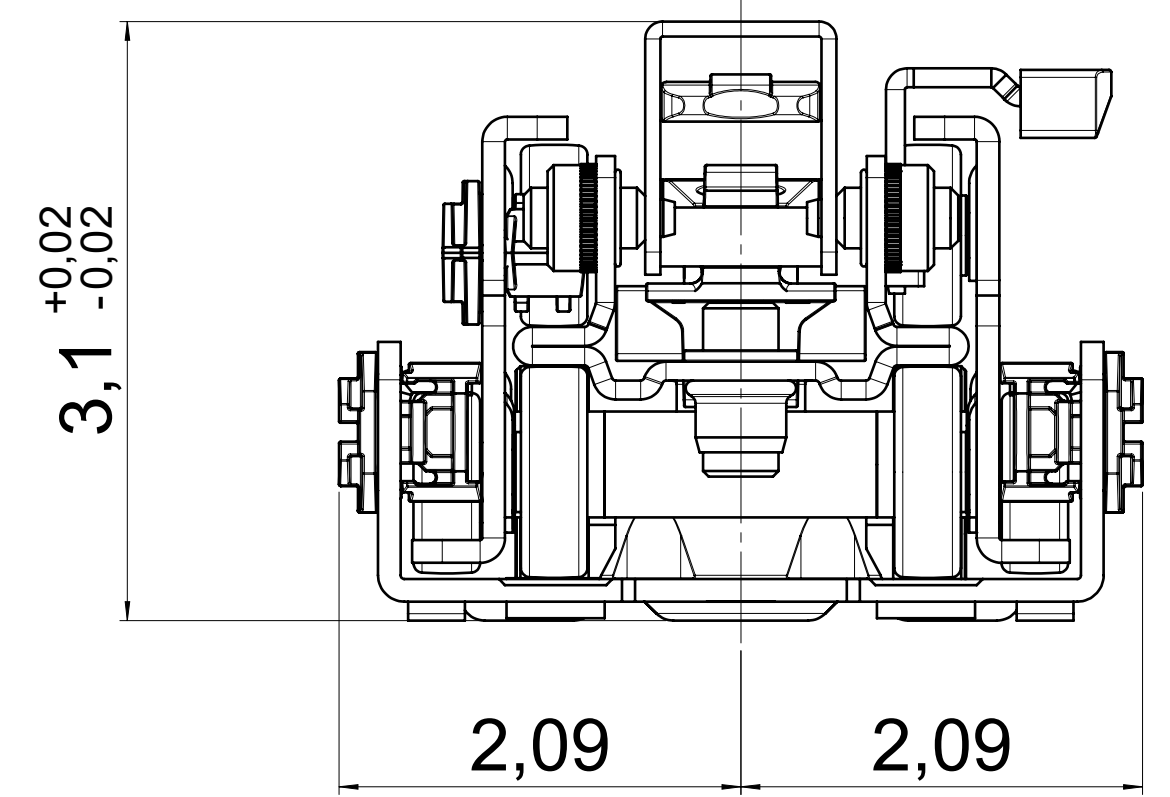
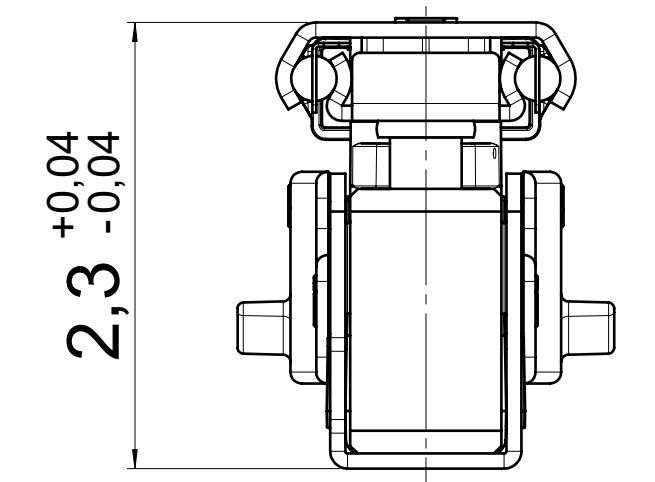
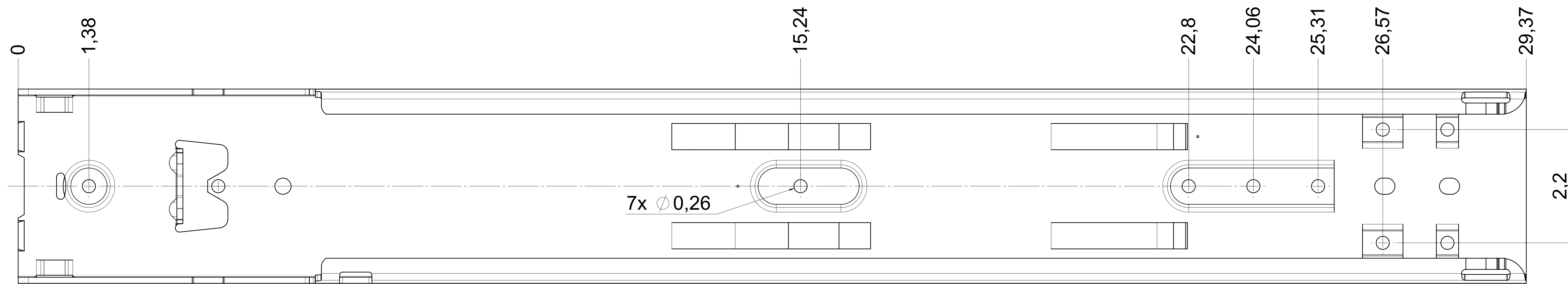
top guide drawer profile



bottom guide drawer profile



bottom guide cabinet profile



⚠ = check dimension, next free check number

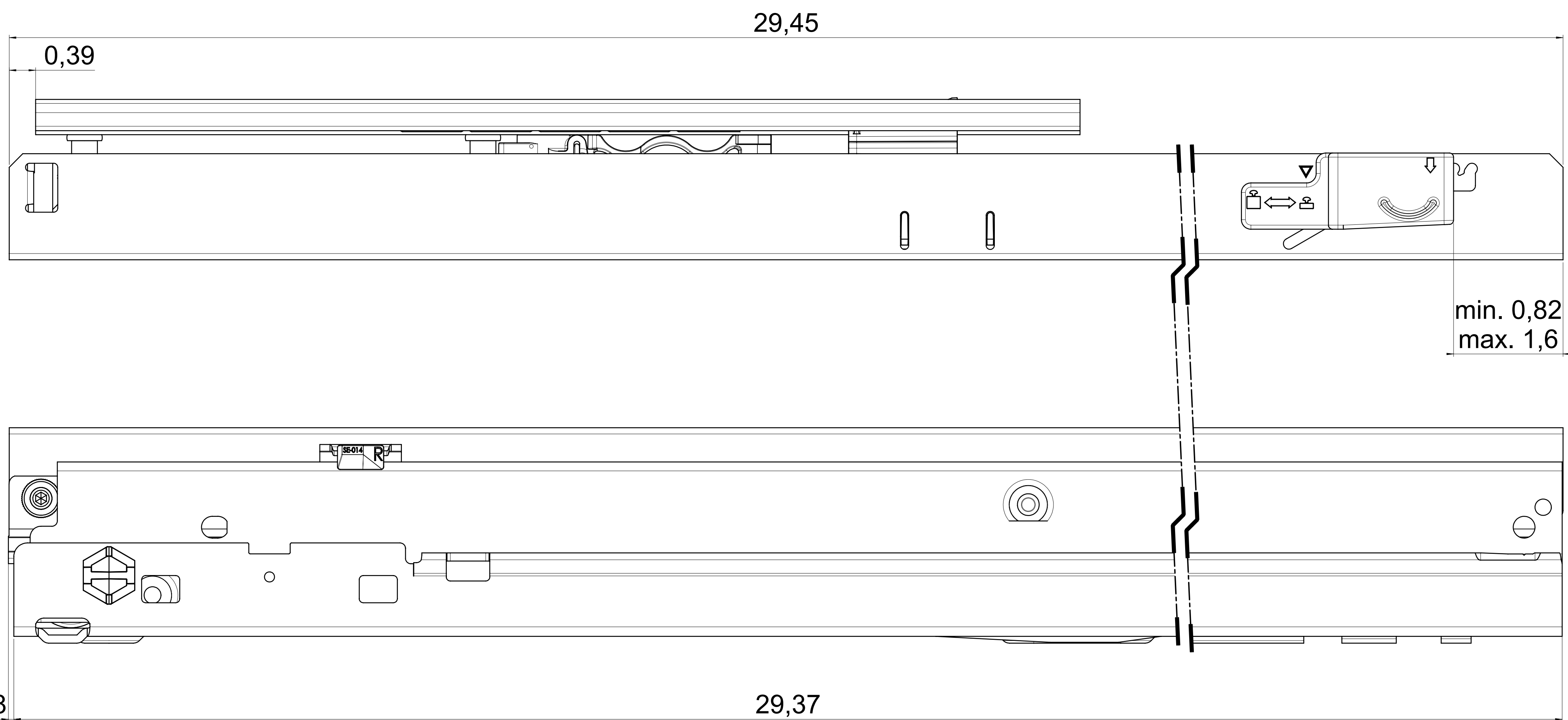
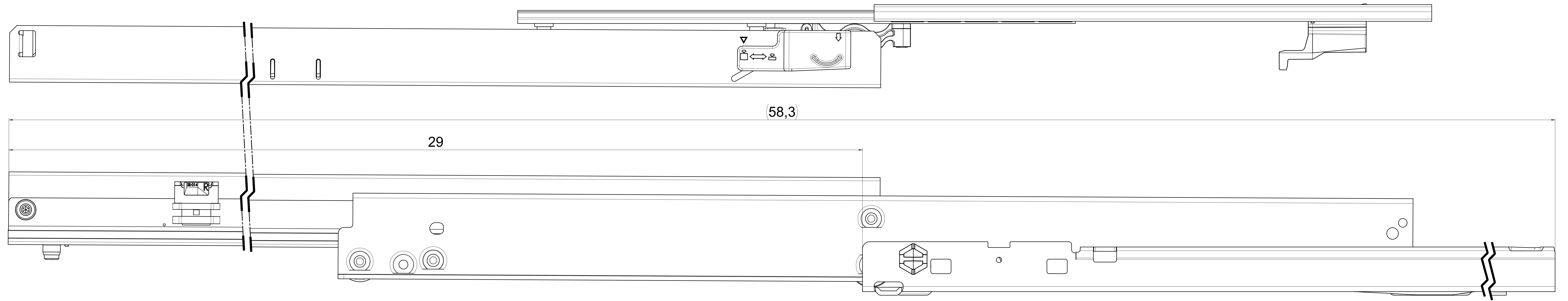
final approval

customer name: _____

signed by: _____

date: _____

all dimensions in inch			
This drawing remains our property and may not be multiplied, copied, or disclosed to third parties (§§1,3 and 5 from the copyright Act (UrhG)) covered according to DIN ISO 15015			
scale:	1:1	surface:	steel (technical requirements Filterer)
material:	semi finished parts	AO	
drawn:	07-12-2022	name:	GB
proven:	00-00-0000	description:	FR 771A / 75 EN (inch) progressive-action full-extension drawerslide / bottom mount
		drawing number:	771A.750-GA.0000
Filterer AG & Co KG A-6800 Lustenau / Austria Filterer AG CH-8430 St. Margrethen		replaces version:	04/01
changes:	date:	na:	incl:de:be:gr



final approval

customer name: _____

signed by: _____

date: _____

<p>all dimensions in inch</p> <p>This drawing remains our property and may not be disclosed to third parties (§§1,3 and 5 from the copyright Act (UrhG)). covered according to DIN ISO 16016</p>		<p>DIN ISO 128-30 missing dimensions see 3D = theor. intersection</p>
<p>scale: 1:1</p>	<p>surface: steel (technical requirements Filterer)</p>	<p>material: semi finished parts: AO</p>
<p>drawn: 07-12-2022 GB proven: 00-00-0000 00</p>	<p>date: name: description: FR 771A / 75 - EN (inch) progressive-action full-extension drawerslide / bottom mount</p>	<p>drawing number: 771A.750-GA.0000 replaces version 636c</p>
<p>changes</p>	<p>date</p>	<p>na</p>