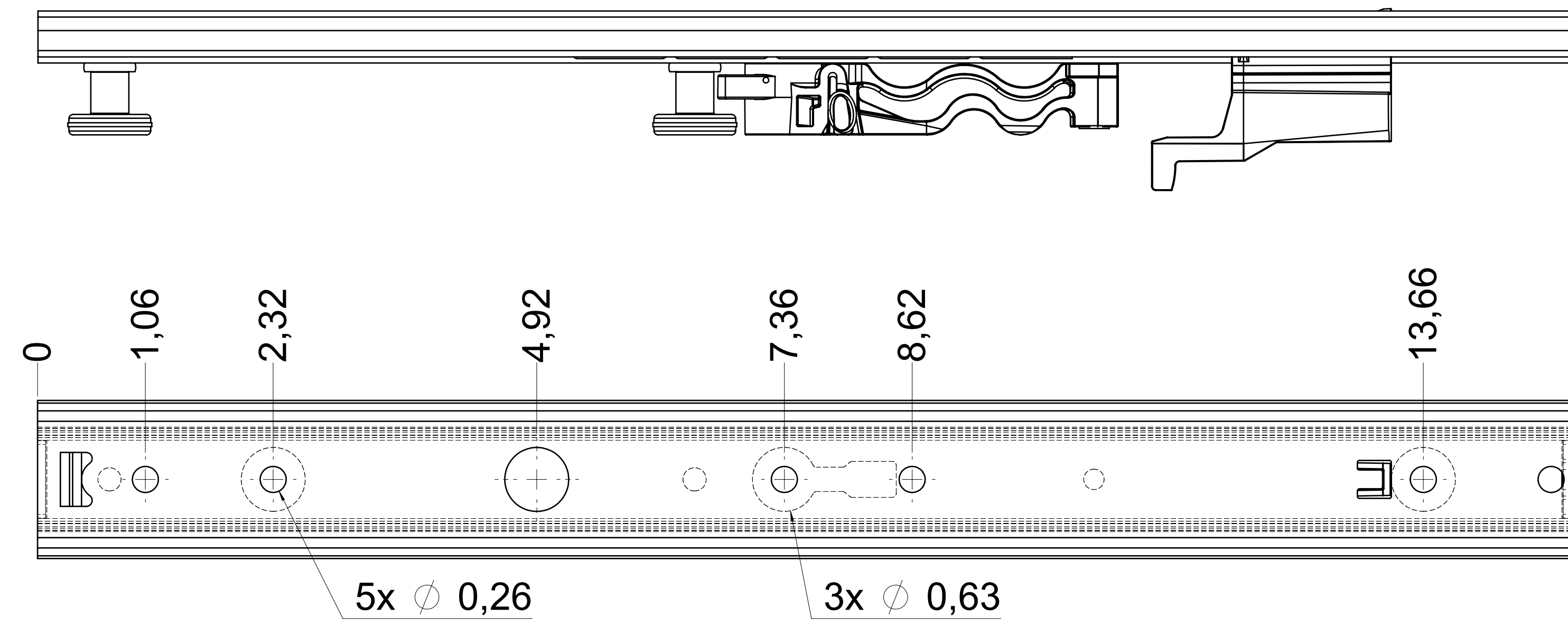
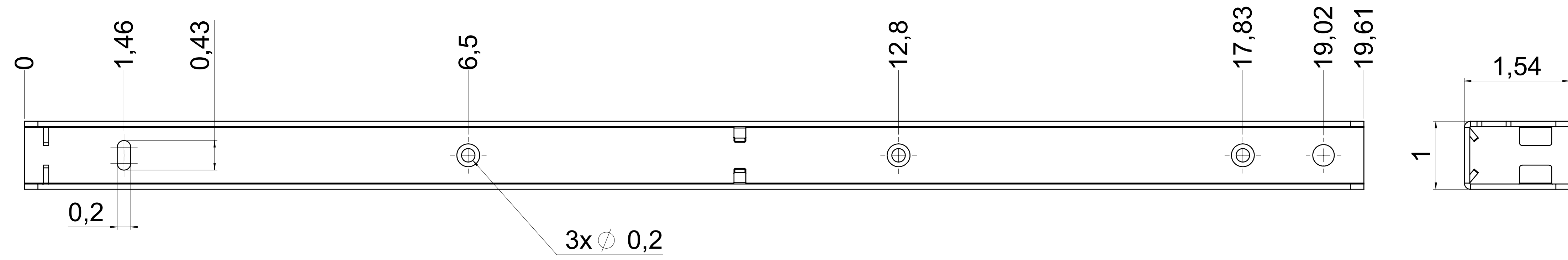


dimensions without coating / maximum coating allowed 0,1mm

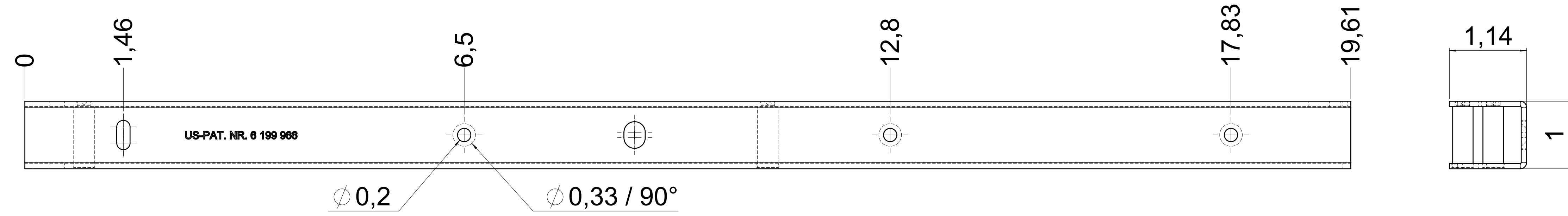
top guide cabinet profile



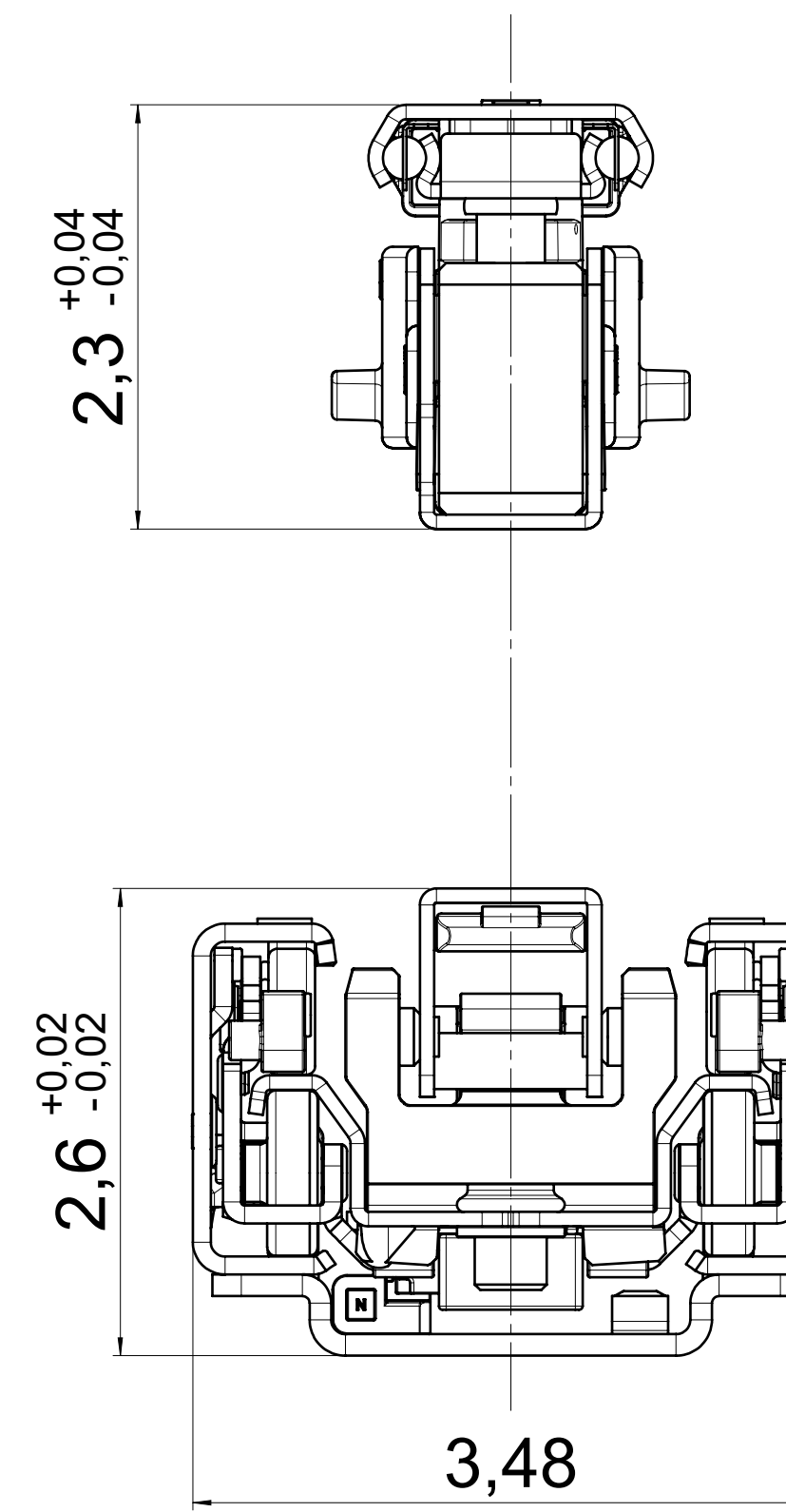
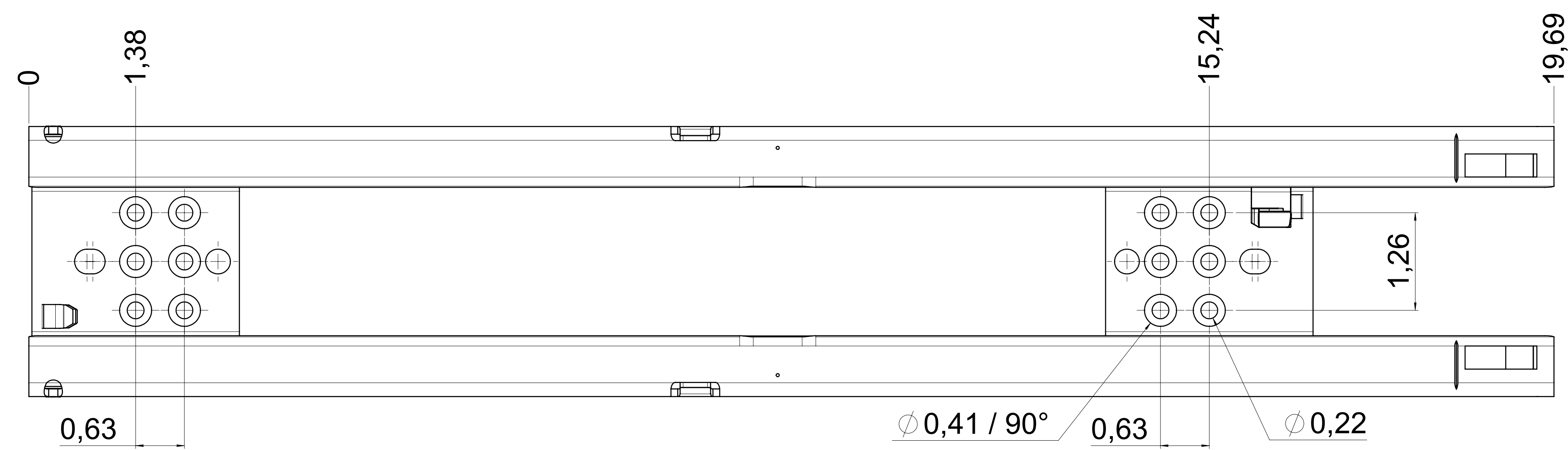
top guide drawer profile



bottom guide drawer profile



bottom guide cabinet profile



final approval

customer name:

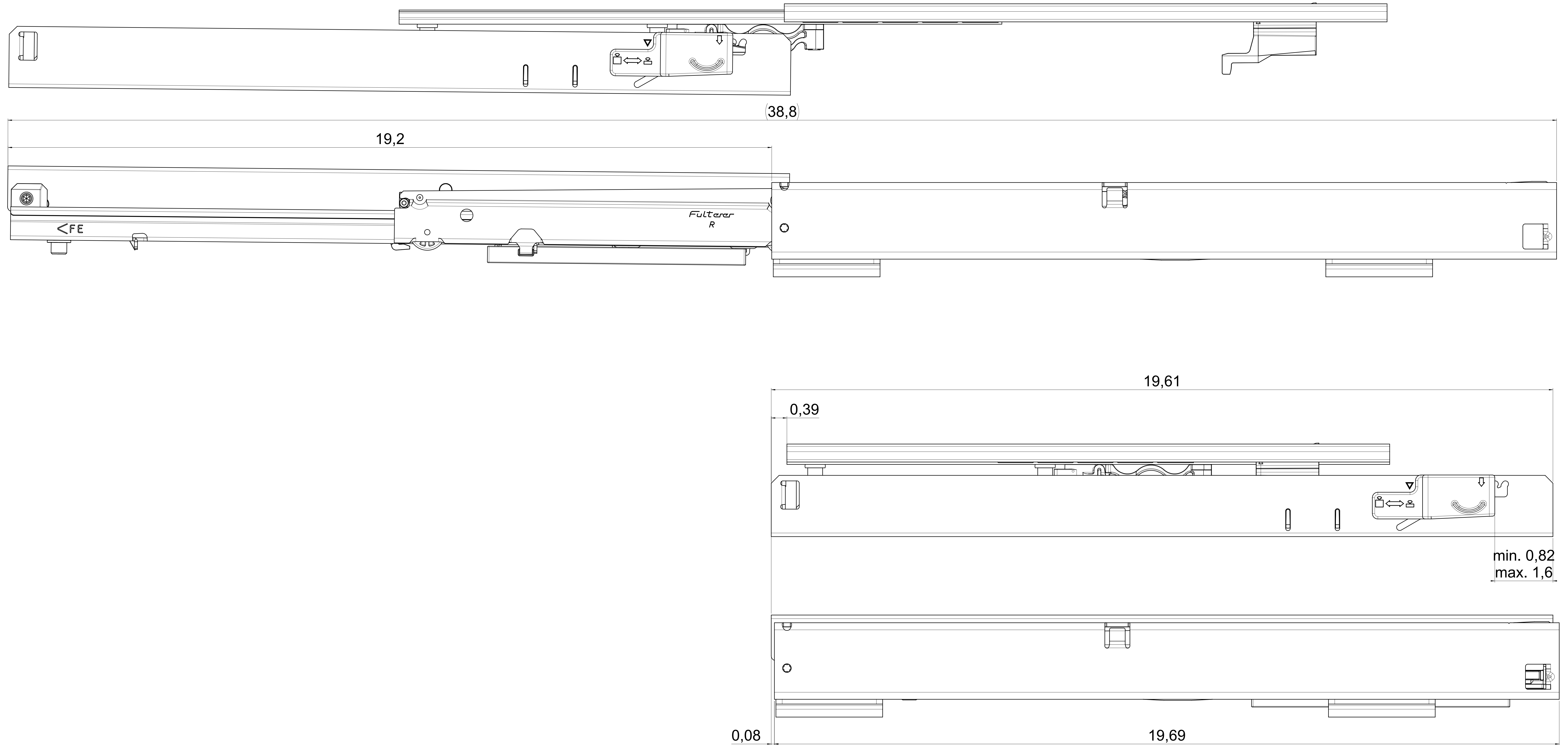
signed by:

date:

<p>all dimensions in inch</p> <p>This drawing remains our property and may not be multiplied neither be disclosed to third parties (§§1,3 and 5 from the copyright Act (UrhG)). covered according to DIN ISO 16016</p>		<p>DIN ISO 128-30 missing dimensions see 3D = theor. intersection</p>	
scale:	1:1	surface:	steel
material:	semi finished parts		AO
drawn:	07-12-2022	name:	GB
proven:	00-00-0000	description:	FR 775A / 50 - EN (inch) progressive-action full-extension drawerslide / bottom mount
<p>Filterer</p> <p>Filterer AG & Co KG A-6800 Lustenau / Austria</p>		<p>drawing number: 775A.500-GA.0000 replaces version GB16:</p>	
changes:	date:	na:	inhalts beibehalten

dimensions without coating / maximum coating allowed 0.1mm

X



final approval

customer name: _____

signed by: _____

date: _____

⚠ = check dimension , next free check number

<p>all dimensions in inch</p> <p>This drawing remains our property and may not be multiplied neither be disclosed to third parties (§§1,3 and 5 from the copyright Act (UrhG)). covered according to DIN ISO 15016</p>		<p>DIN ISO 128-30 missing dimensions see 3D = theor. intersection</p>
scale:	1:1	surface: steel (technical requirements Fulterer)
material:	steel (technical requirements Fulterer)	material, semi finished parts: AO
drawn:	07-12-2022 GB	description: FR 775A / 50 - EN (inch) progressive-action full-extension drawerslide / bottom mount
proven:	00-00-0000 00	
<p>Fulterer</p> <p>Fulterer AG & Co KG A-6800 Lustenau / Austria</p>		<p>drawing number: 775A.500-GA.0000 replaces version 0416:</p>
changes	date	na.
<p>Freitag, 01. Januar 2023 15:28:41</p>		<p>Inchelle bedruckt</p>