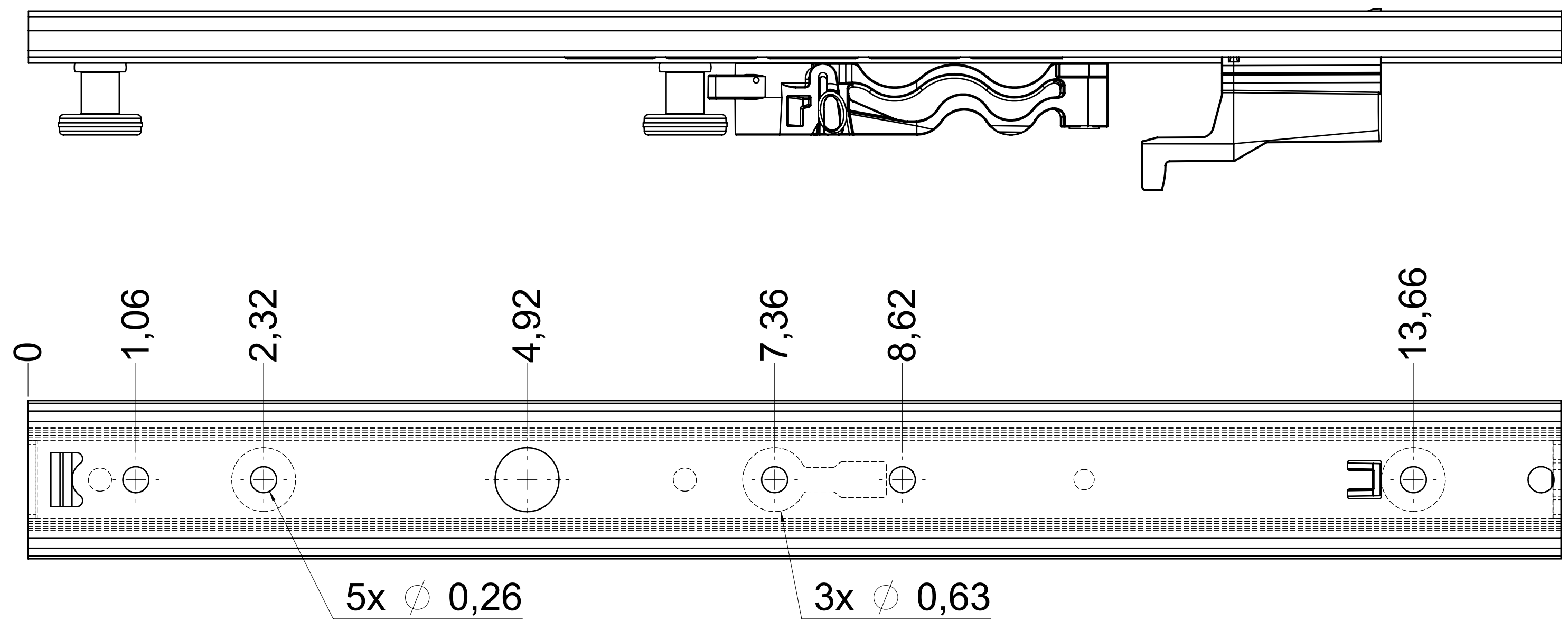


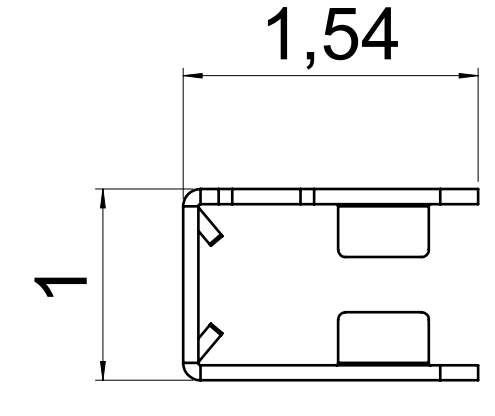
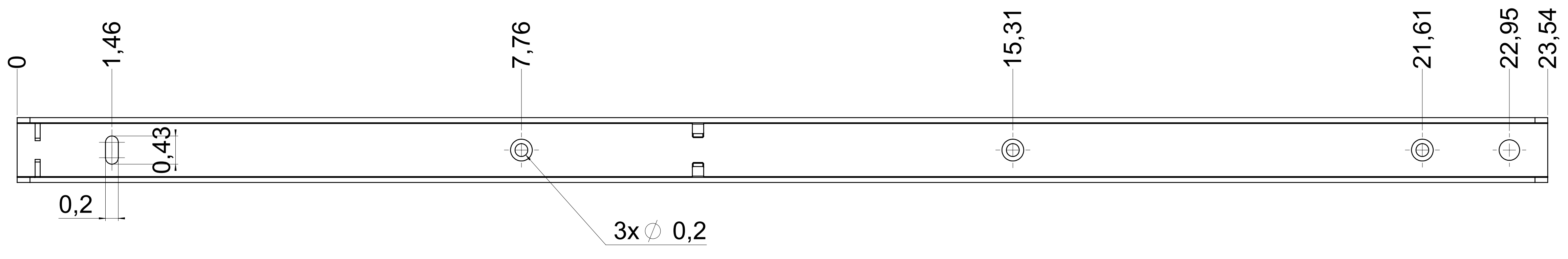
dimensions without coating / maximum coating allowed 0.1mm

X

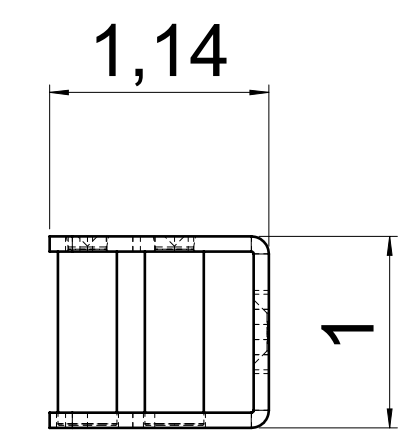
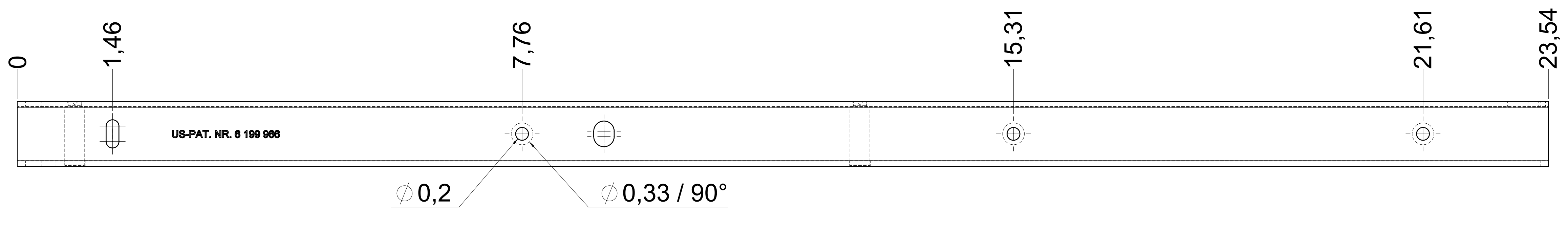
top guide cabinet profile



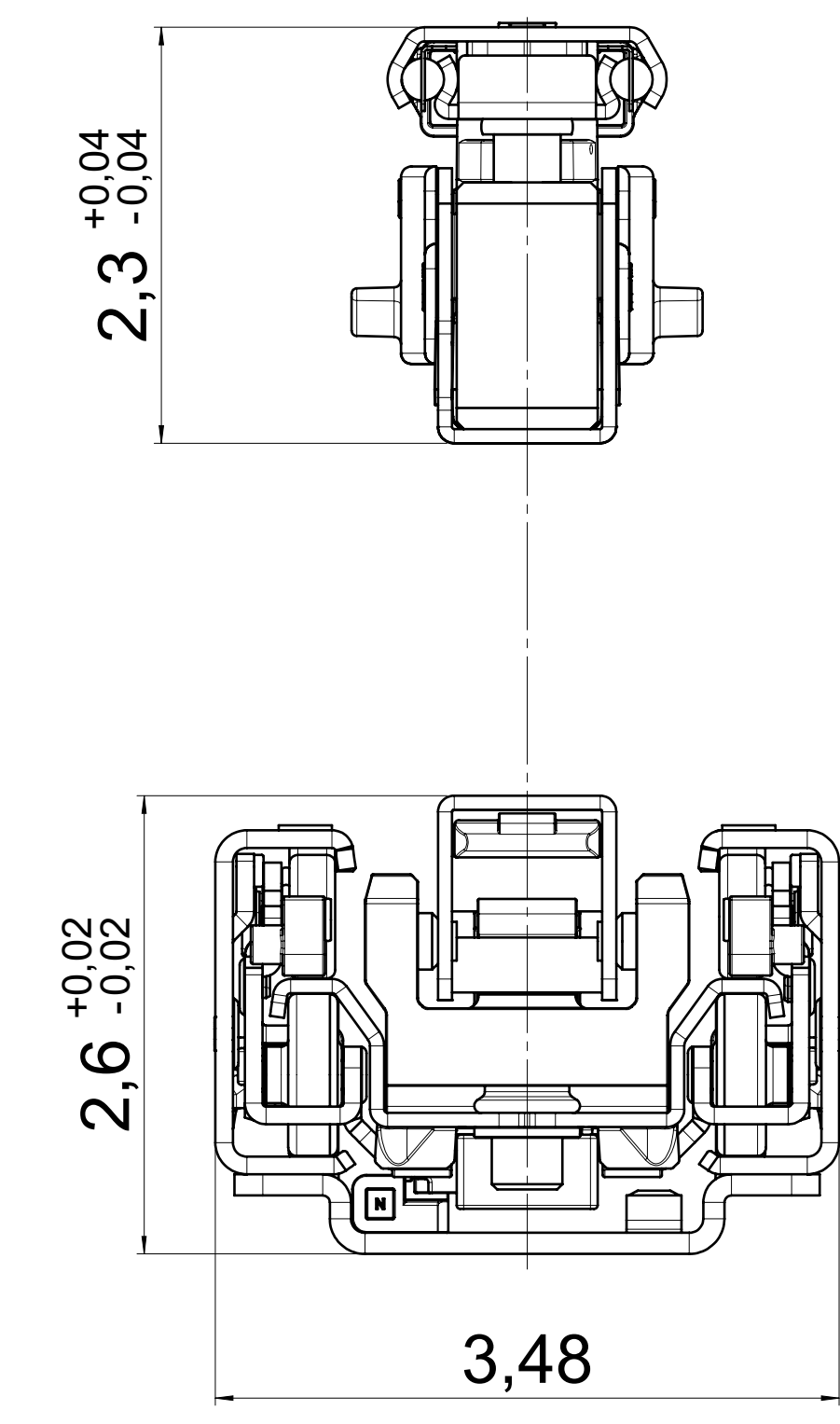
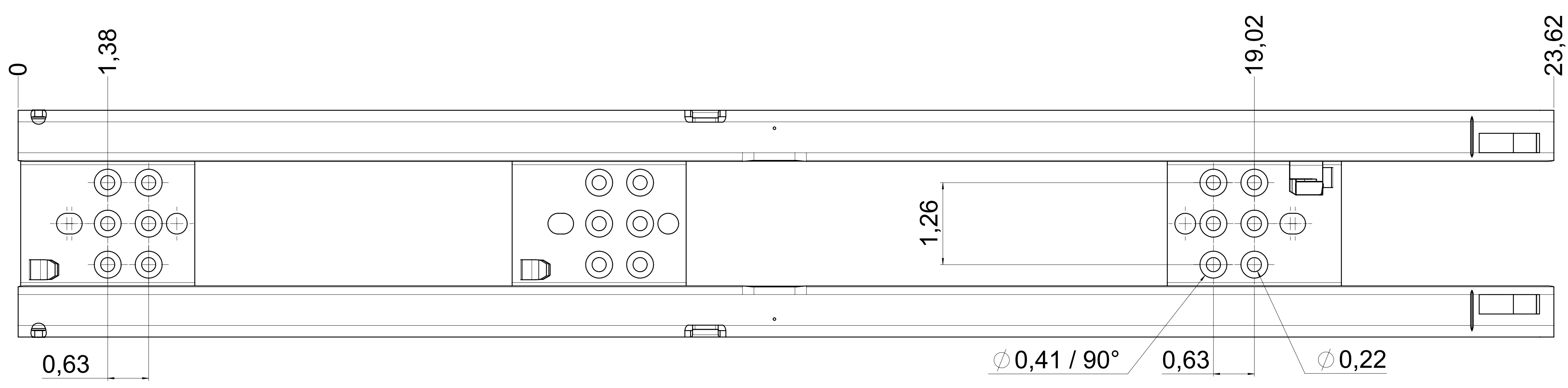
top guide drawer profile



bottom guide drawer profile



bottom guide cabinet profile



⚠ = check dimension, next free check number

**final approval**

customer name:

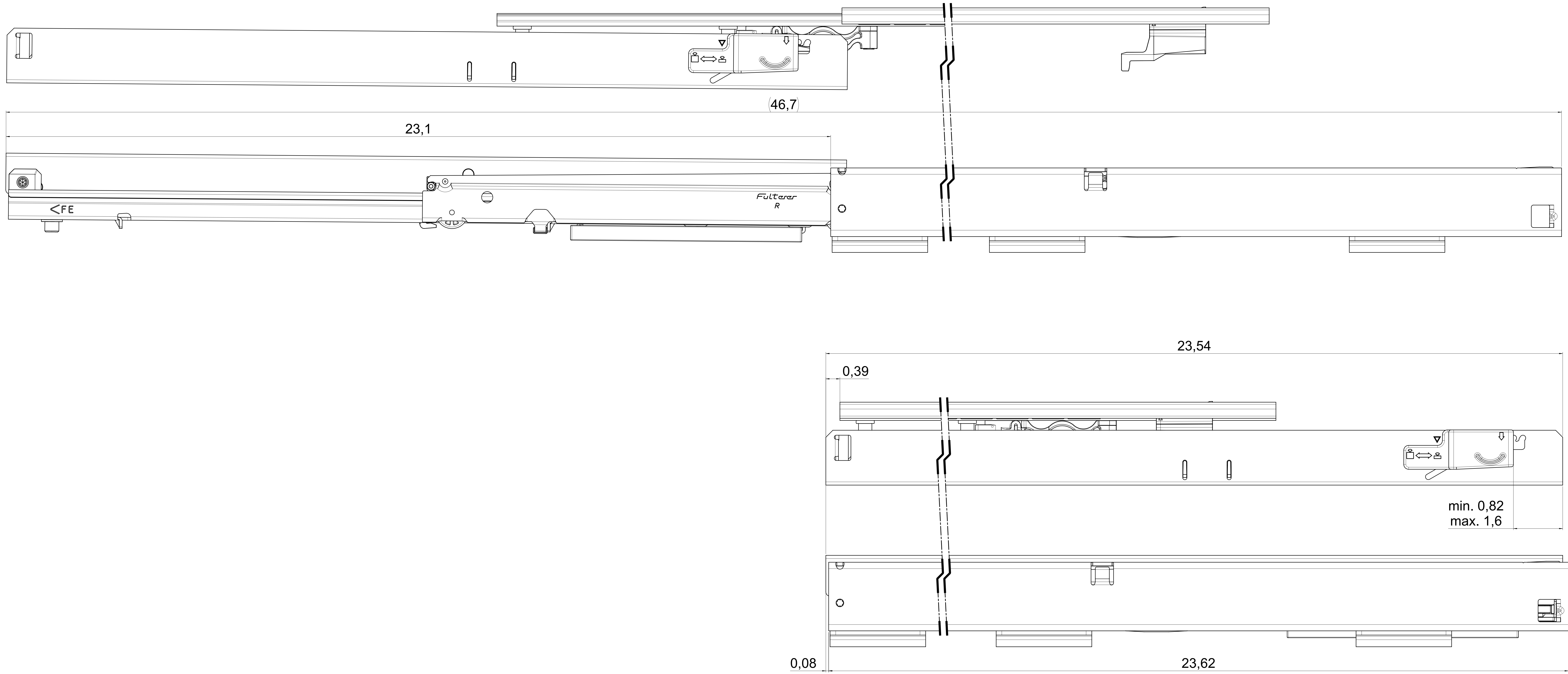
signed by:

date:

all dimensions in inch		DIN ISO 128-30 missing dimensions see 3D = theor. intersection	
This drawing remains our property and may not be disclosed to third parties (§§1,3 and 5 from the copyright Act (UrhG)) covered according to DIN ISO 16015			
scale:	1:1	surface:	steel
material:	semi finished parts	AO	
drawn:	07-12-2022	name:	GB
proven:	00-00-0000	description:	FR 775A / 60 - EN (inch)
			progressive-action full-extension drawerslide / bottom mount
		drawing number:	775A.600-GA.0000
		replaces version:	0000
changes:	date:	na:	incl. in list:

dimensions without coating / maximum coating allowed 0.1mm

X



**final approval**

customer name:

signed by:

date:

**page 2 of 2** ⚠ = check dimension , next free check number ⚠

**all dimensions in inch**

This drawing remains our property and may not be multiplied neither be disclosed to third parties (§§1,3 and 5 from the copyright Act (UrhG)) covered according to DIN ISO 15016

scale:	1:1	surface:	steel
material:	semi finished parts		
drawn:	07-12-2022	name:	GB
proven:	00-00-0000	description:	FR 775A / 60 - EN (inch)
			progressive-action full-extension drawerslide / bottom mount
		drawing number:	775A.600-GA.0000
			replaces version 681c

**Filterer**

Filterer AG & Co KG  
A-6800 Lustenau / Austria  
CH-8430 St. Margrethen

Drawing: 01. Januar 2023 15:32:54  
Inch: 681c