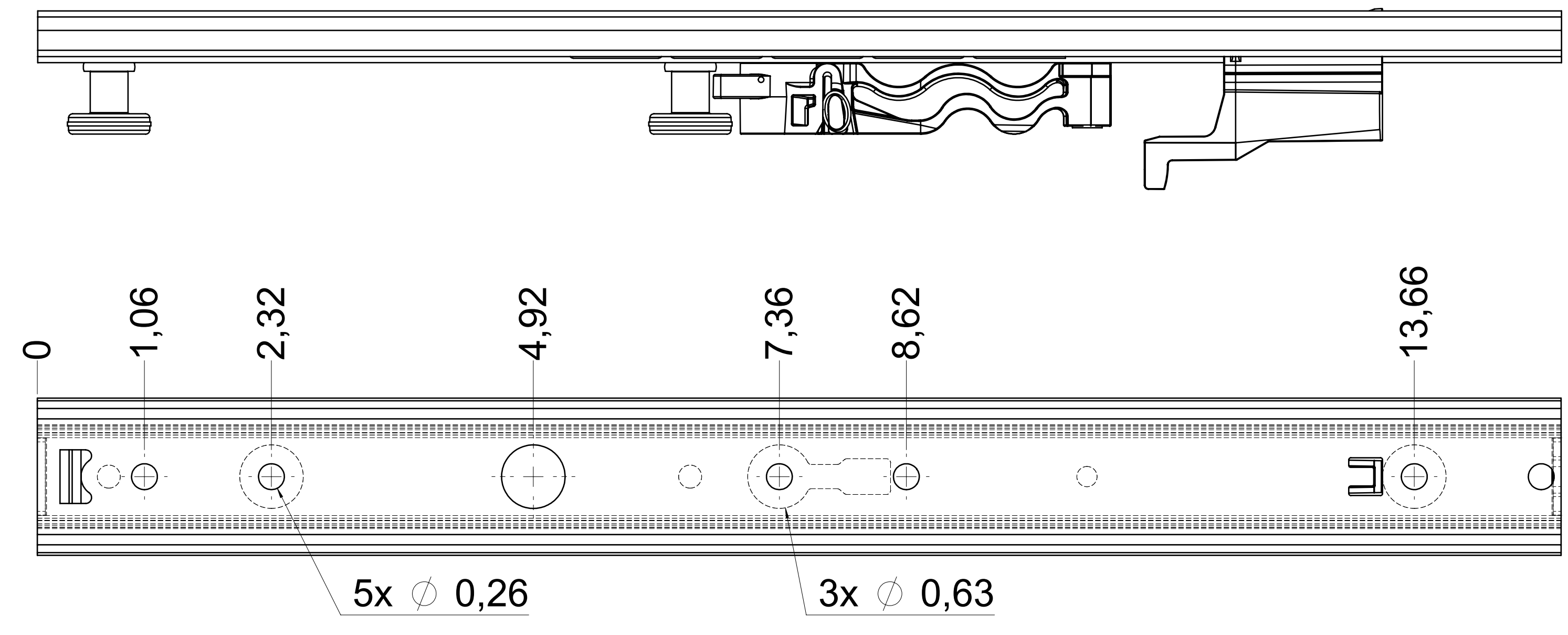
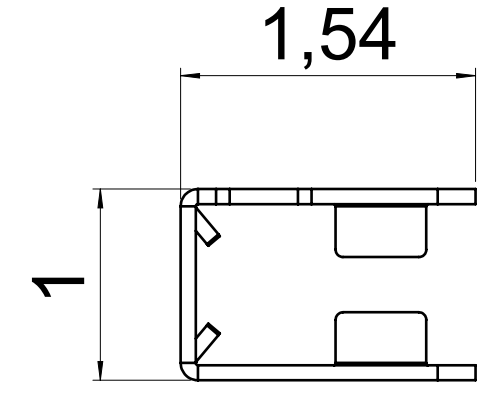
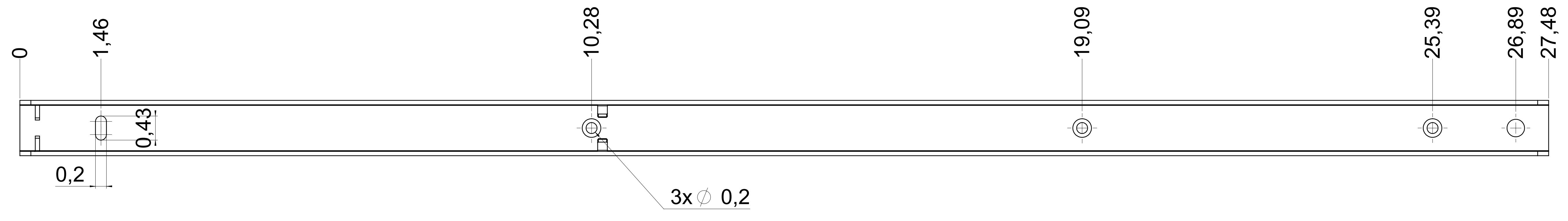


dimensions without coating / maximum coating allowed 0.1mm

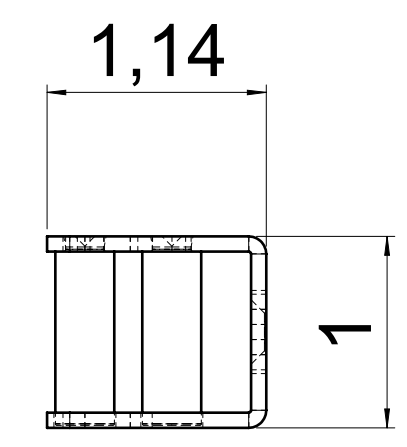
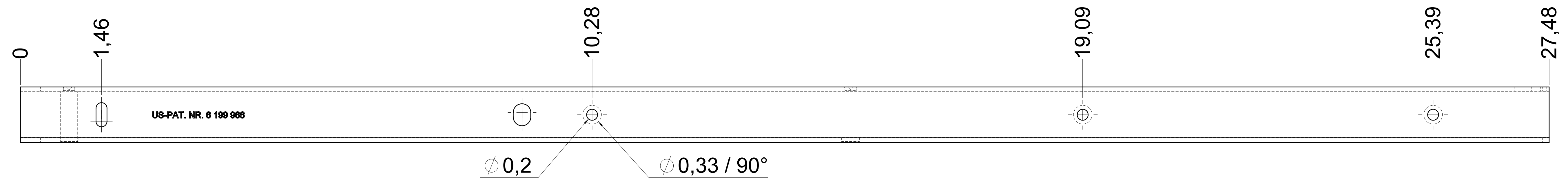
top guide cabinet profile



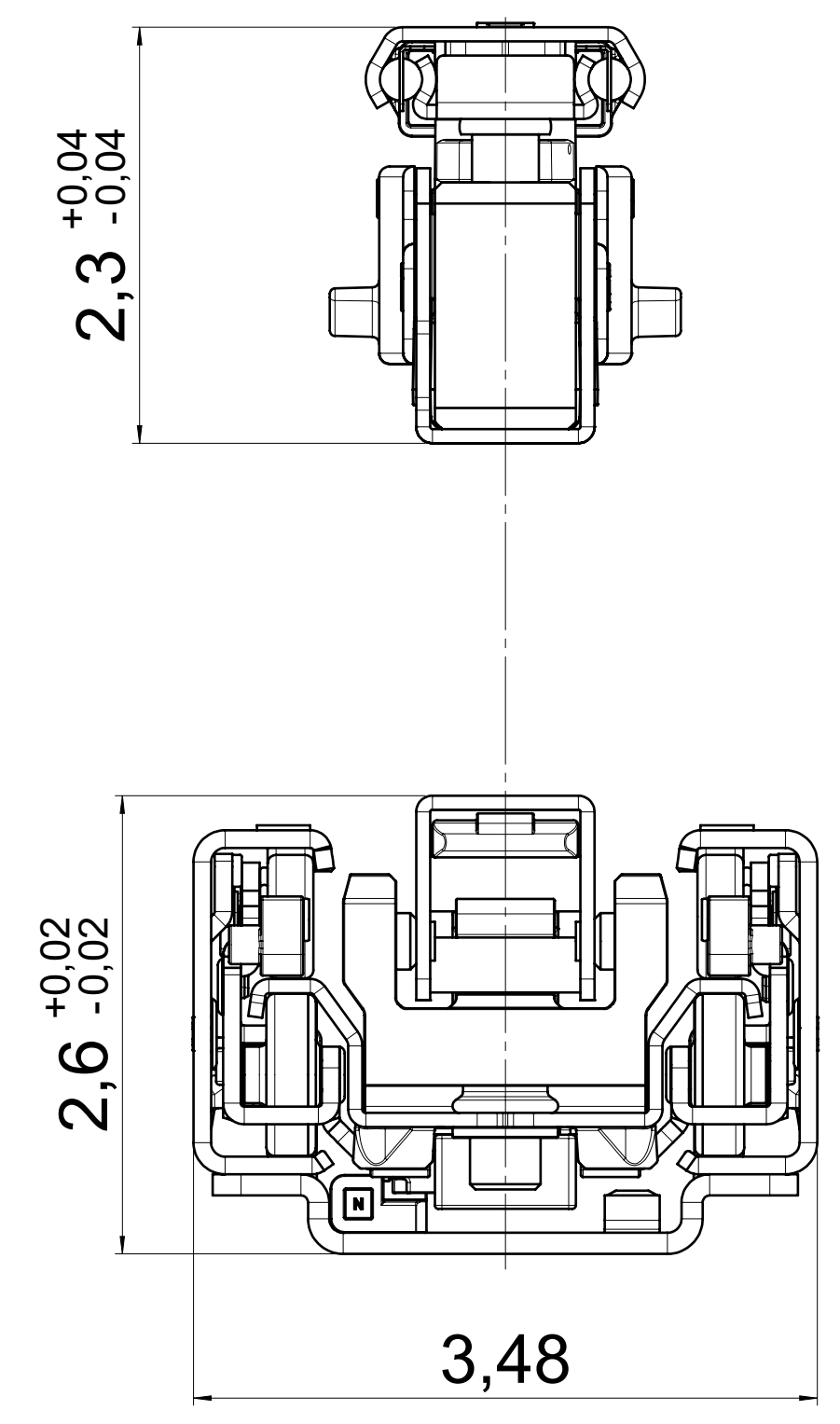
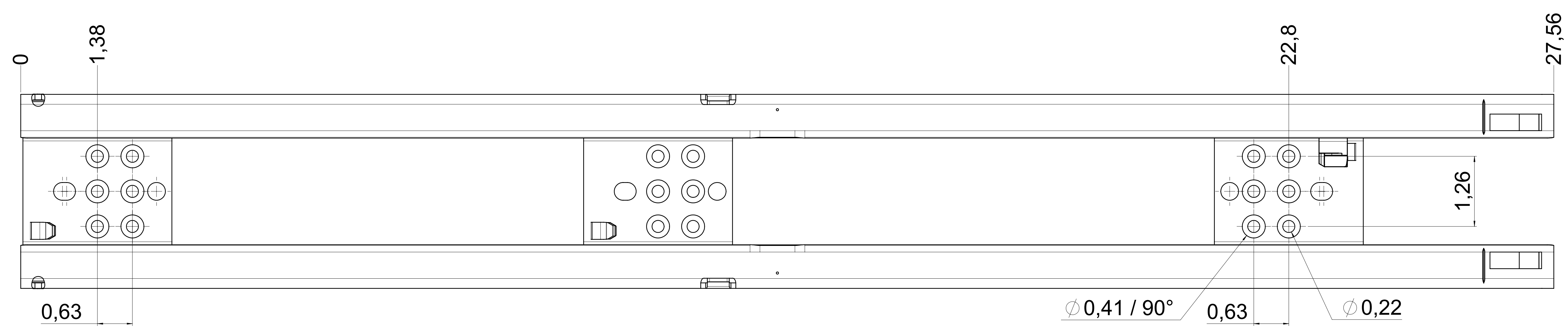
top guide drawer profile



bottom guide drawer profile



bottom guide cabinet profile



**final approval**

customer name: \_\_\_\_\_

signed by: \_\_\_\_\_

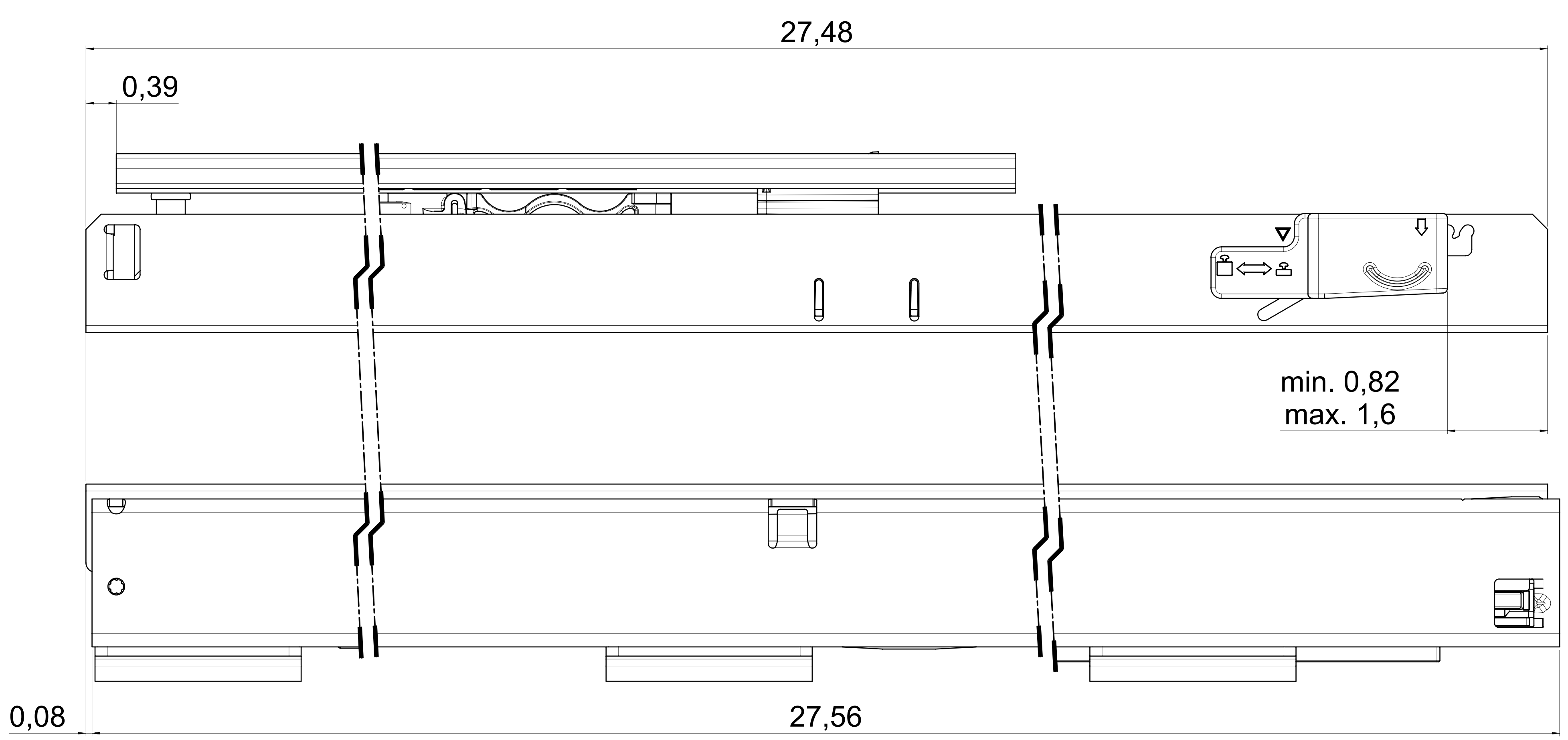
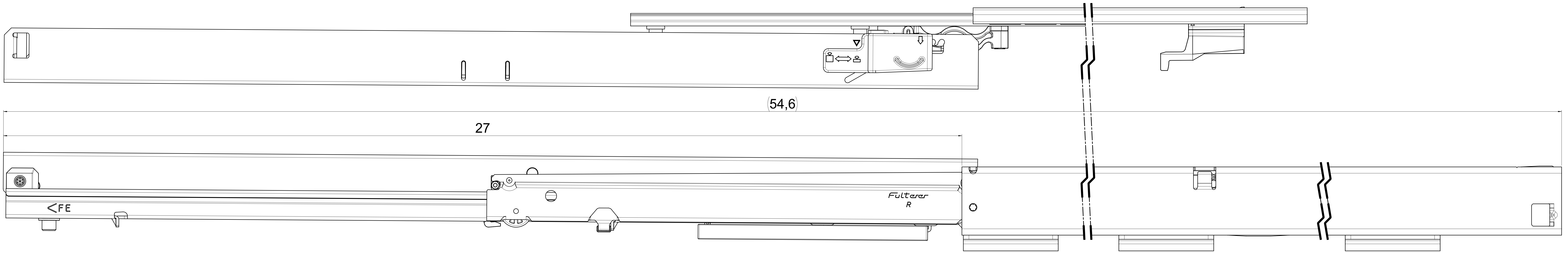
date: \_\_\_\_\_

<p><b>all dimensions in inch</b></p> <p>This drawing remains our property and may not be disclosed to third parties (§§1,3 and 5 from the copyright Act (UrHG)) covered according to DIN ISO 15015</p>		<p>scale: 1:1</p> <p>surface: steel (technical requirements Filterer)</p>		<p>material: semi finished parts</p> <p>AO</p>
<p>drawn: 07-12-2022</p> <p>proven: 09-09-2022</p>	<p>date: 07-12-2022</p> <p>name: GB</p>	<p>description: FR 775A / 70 - EN (inch) progressive-action full-extension drawerslide / bottom mount</p>	<p>drawing number: 775A.700-GA.0000</p> <p>replaces version 03/16</p>	
<p>Filterer AG &amp; Co KG</p> <p>A-6890 Lustenau / Austria</p> <p>CH-8430 St. Margrethen</p>		<p>Friday, 01. August 2023 15:52:31</p>		

☒ = check dimension, next free check number ☒

dimensions without coating / maximum coating allowed 0.1mm

X



**final approval**

customer name: \_\_\_\_\_

signed by: \_\_\_\_\_

date: \_\_\_\_\_

**page 2 of 2** ⚠ = check dimension , next free check number ⚠

**all dimensions in inch** DIN ISO 128-30  
missing dimensions see 3D  
= theor. intersection

This drawing remains our property and may not be multiplied neither be disclosed to third parties (§§1,3 and 5 from the copyright Act (UrhG)) covered according to DIN ISO 15016

scale:	1:1	surface:	steel	material:	semi finished parts	AO
drawn:	07-12-2022	name:	GB	description:	FR 775A / 70 - EN (inch)	
proven:	00-00-0000	no:	00	description:	progressive-action full-extension drawerslide / bottom mount	
				drawing number:	775A.700-GA.0000	
<small>Filterer AG &amp; Co KG A-6800 Lustenau / Austria Filterer AG CH-8430 St. Margrethen</small>				replaces version:	date:	

changes date na. Dienstag, 01. Januar 2023 15:52:31 Ingrida Heidegger