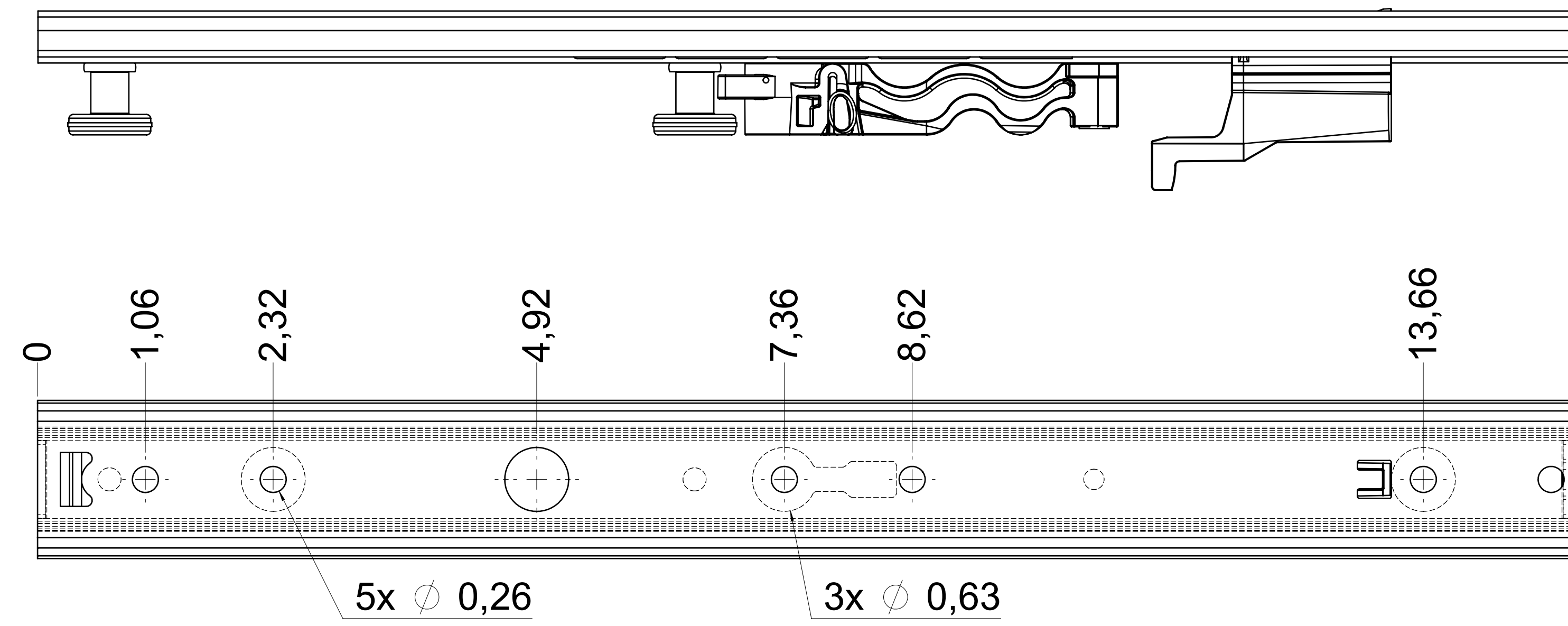


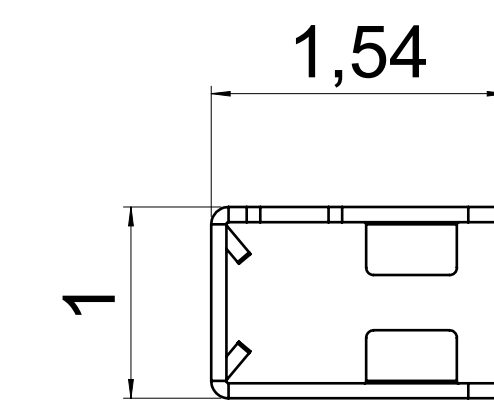
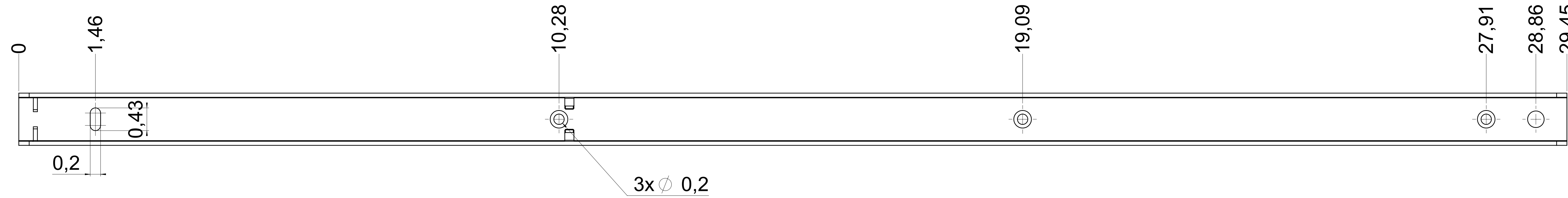
dimensions without coating / maximum coating allowed 0.1mm

X

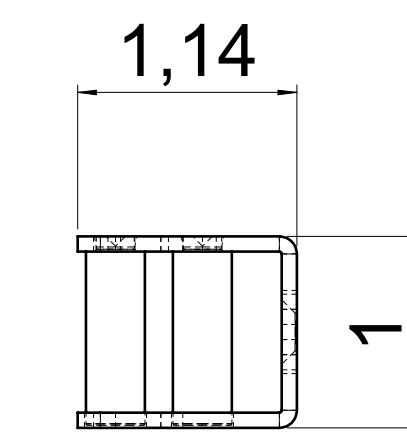
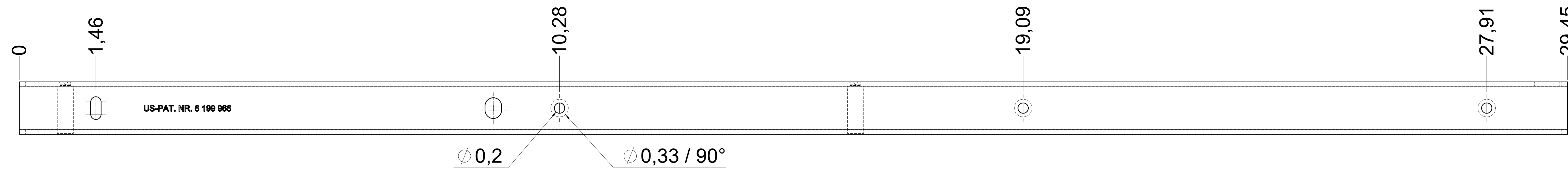
top guide cabinet profile



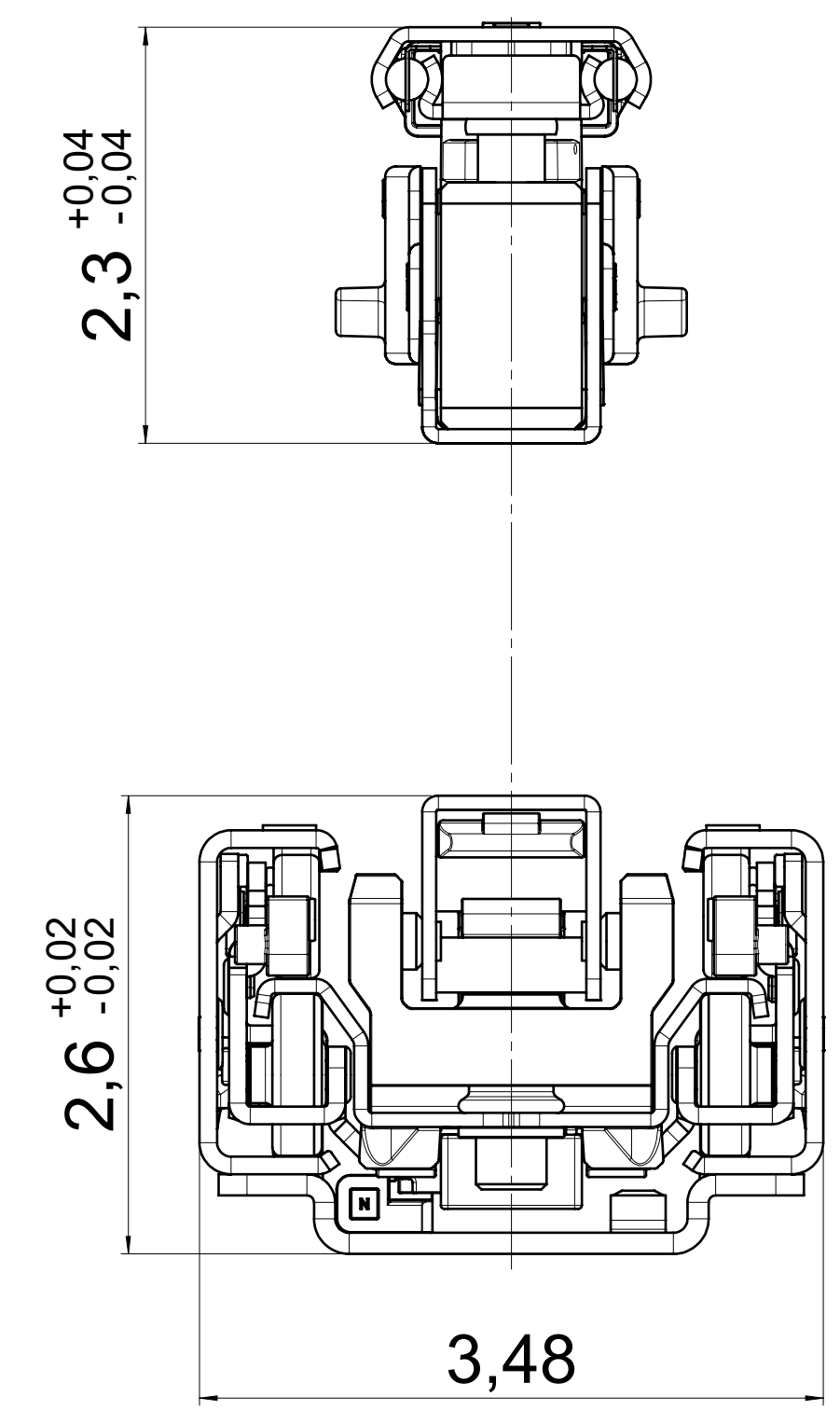
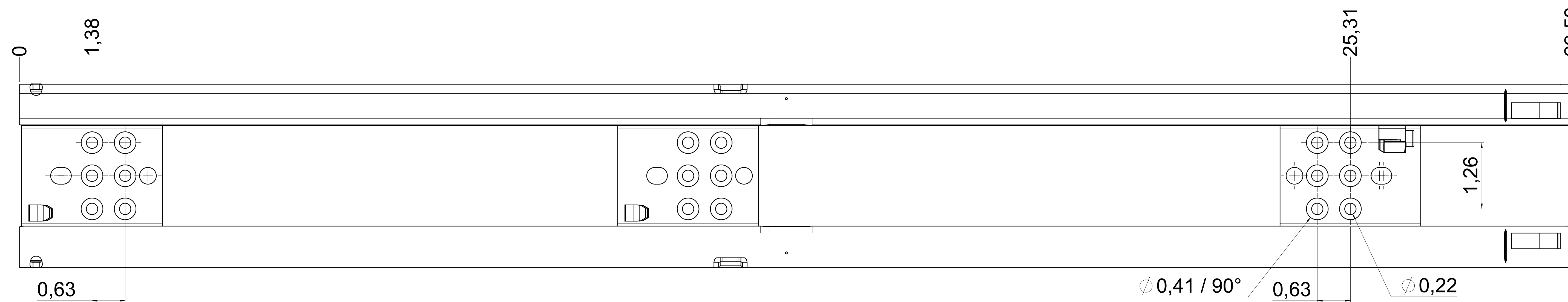
top guide drawer profile



bottom guide drawer profile



bottom guide cabinet profile



⚠ = check dimension, next free check number

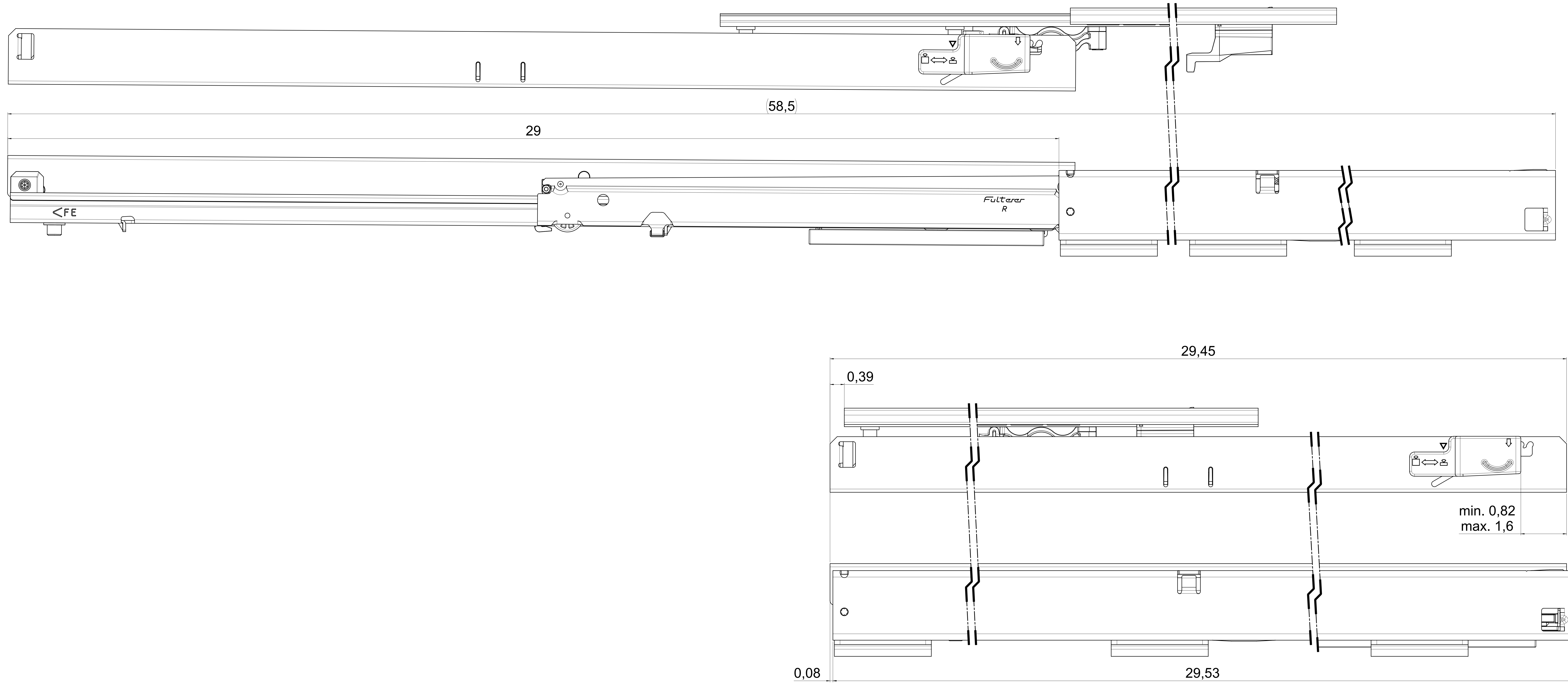
final approval

customer name: _____

signed by: _____

date: _____

all dimensions in inch				DIN ISO 128-30 missing dimensions see 3D = theor. intersection	
This drawing remains our property and may not be disclosed to third parties (§§1,3 and 5 from the copyright Act (UrhG)) covered according to DIN ISO 15015				scale:	surface:
1:1	steel	material: semi finished parts: AO			
drawn: 07-12-2022	name: GB	description: FR 775A / 70 - EN (inch)			
proven: 09-09-2022	na: 00	progressive-action full-extension drawerslide / bottom mount			
Filterer AG & Co KG A-6890 Lustenau / Austria		drawing number: 775A.750-GA.0000			
CH-8430 St. Margrethen		replaces version GB10:			
changes	date	na.	includes: beabarger		



final approval

customer name:

signed by:

date:

<p>all dimensions in inch</p> <p>This drawing remains our property and may not be multiplied neither be disclosed to third parties (§§1,3 and 5 from the copyright Act (UrhG)) covered according to DIN ISO 15016</p>		<p>DIN ISO 128-30 missing dimensions see 3D = theor. intersection</p>
<p>scale: 1:1</p> <p>surface: steel (technical requirements Filterer)</p>	<p>material: semi finished parts</p> <p>FR 775A / 75 - EN (inch) progressive-action full-extension drawerslide / bottom mount</p>	<p>AO</p>
<p>drawn: 07-12-2022 GB</p> <p>proven: 09-09-2022 00</p>	<p>description:</p> <p>Filterer</p> <p>Filterer AG & Co KG A-6800 Lustenau / Austria</p>	<p>drawing number: 775A.750-GA.0000 replaces version 6816:</p>
<p>changes</p> <p>date</p> <p>na.</p>	<p>date</p> <p>na.</p>	<p>changes</p> <p>date</p> <p>na.</p>