

**final approval**

customer name: \_\_\_\_\_

signed by: \_\_\_\_\_

date: \_\_\_\_\_

page 1 of 2

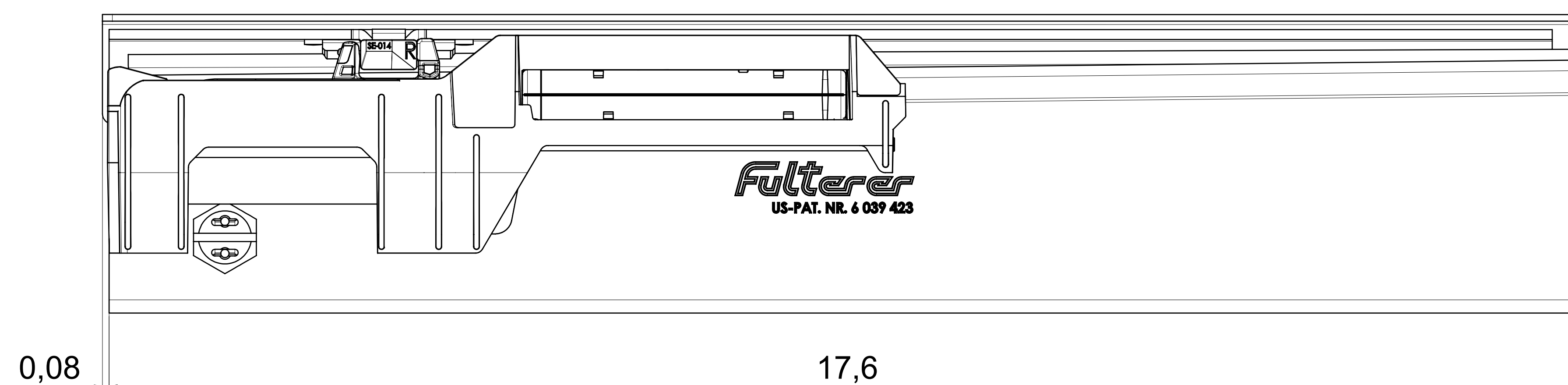
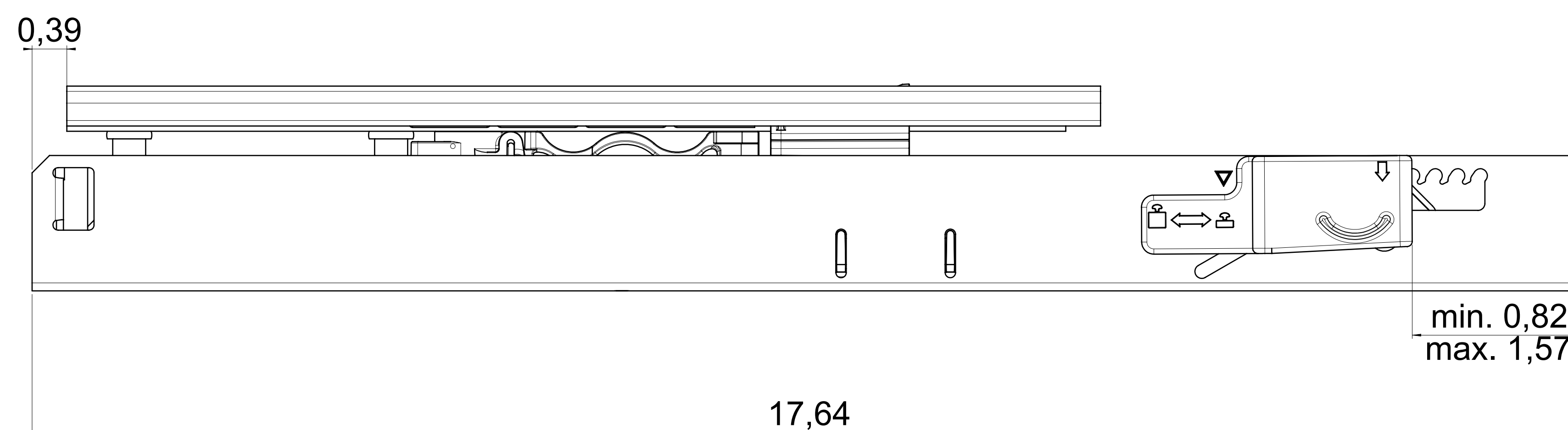
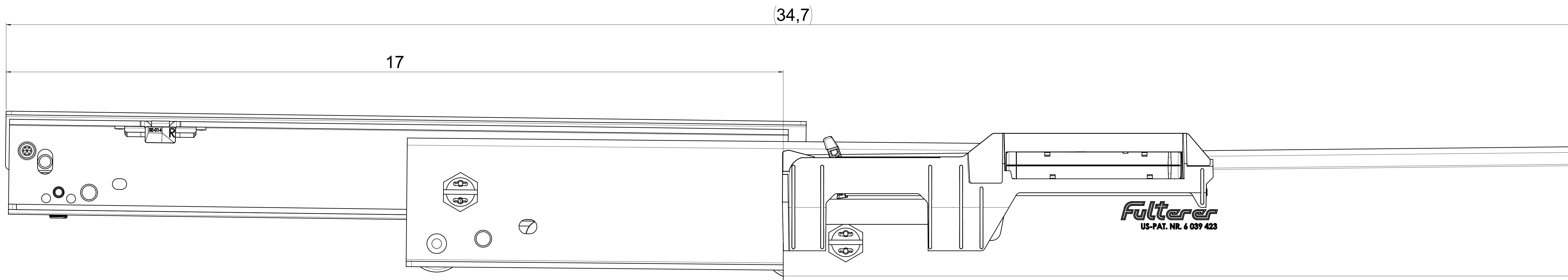
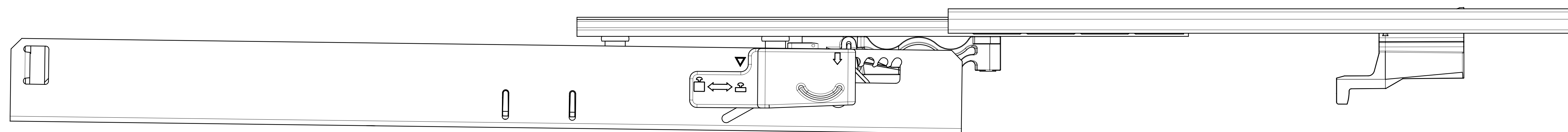
**all dimensions in inch**

This drawing remains our property and may not be disclosed to third parties (§§1,3 and 5 from the copyright Act (UrHG)). covered according to DIN ISO 16015

scale:	1:1	surface:	steel
material:	semi finished parts	missing dimensions see 3D	= theor. intersection
drawn:	21-11-2021	name:	GB
proven:	00-00-0000	description:	FR 777A / 45 - EN (inch)
			progressive-action full-extension drawerslide / bottom mount
			<b>Filterer</b>
			Filterer AG & Co KG
			A-680 Lustenau / Austria
			Filterer AG
			C14-8430 St. Margrethen
			drawing number:
			777A.450-GA.0000
			replaces version GB16:

changes date na.

Copyright © 2021 Filterer AG



**final approval**

customer name:

signed by:

date:

**all dimensions in inch**

DIN ISO 128-30  
missing dimensions see 3D  
= theor. intersection

This drawing remains our property and may not be multiplied neither be disclosed to third parties (§§1,3 and 5 from the copyright Act (UrhG)) covered according to DIN ISO 15016		scale:	surface:	material:	semi finished parts:
1:1		steel			AO
drawn	date	name	description:		
21-11-2021		GB	FR 777A / 45 - EN (inch)		
proven	date	name	progressive-action full-extension		
00-00-0000		00	drawerslide / bottom mount		
			drawing number:		
Filterer AG & Co KG A-6800 Lustenau / Austria			777A.450-GA.0000		
C14-8430 St. Margrethen			replaces version GB16:		
changes	date	na.			