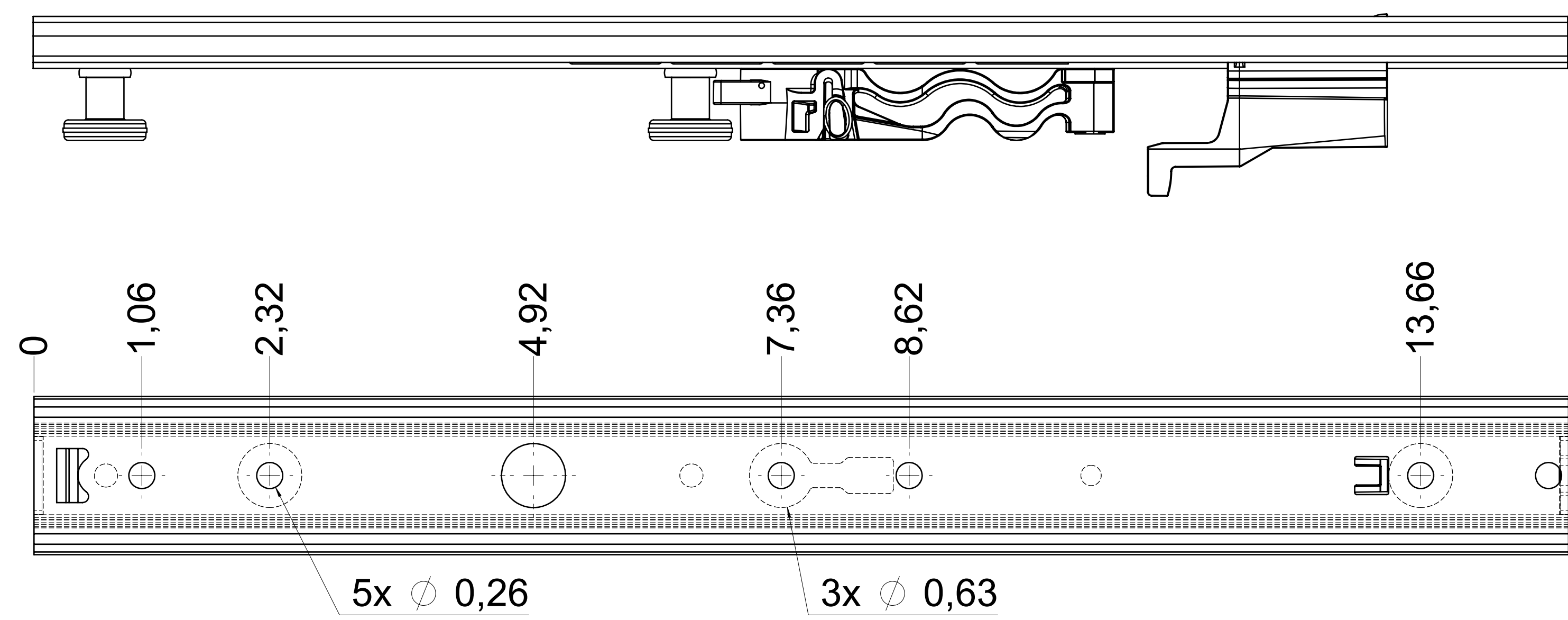


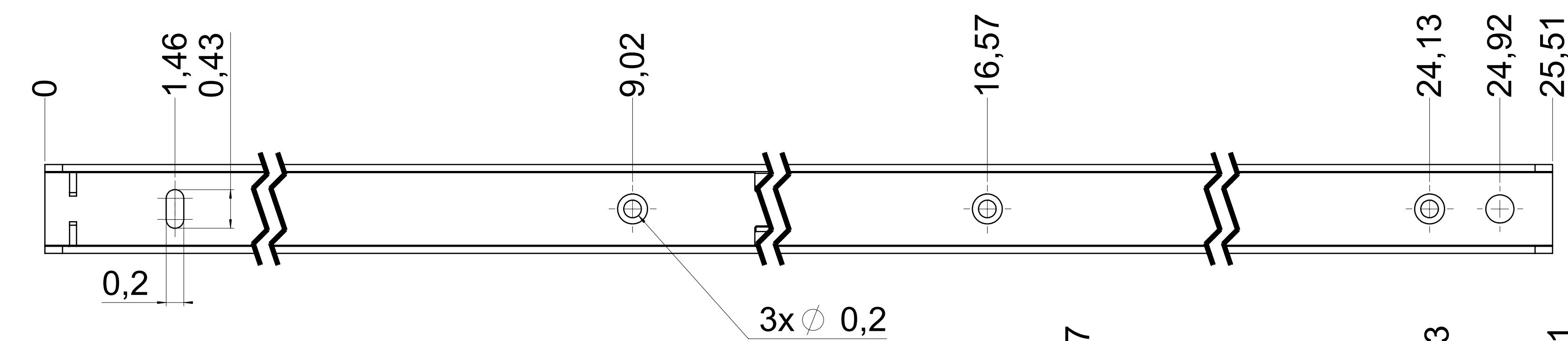
dimensions without coating / maximum coating allowed 0.1mm

X

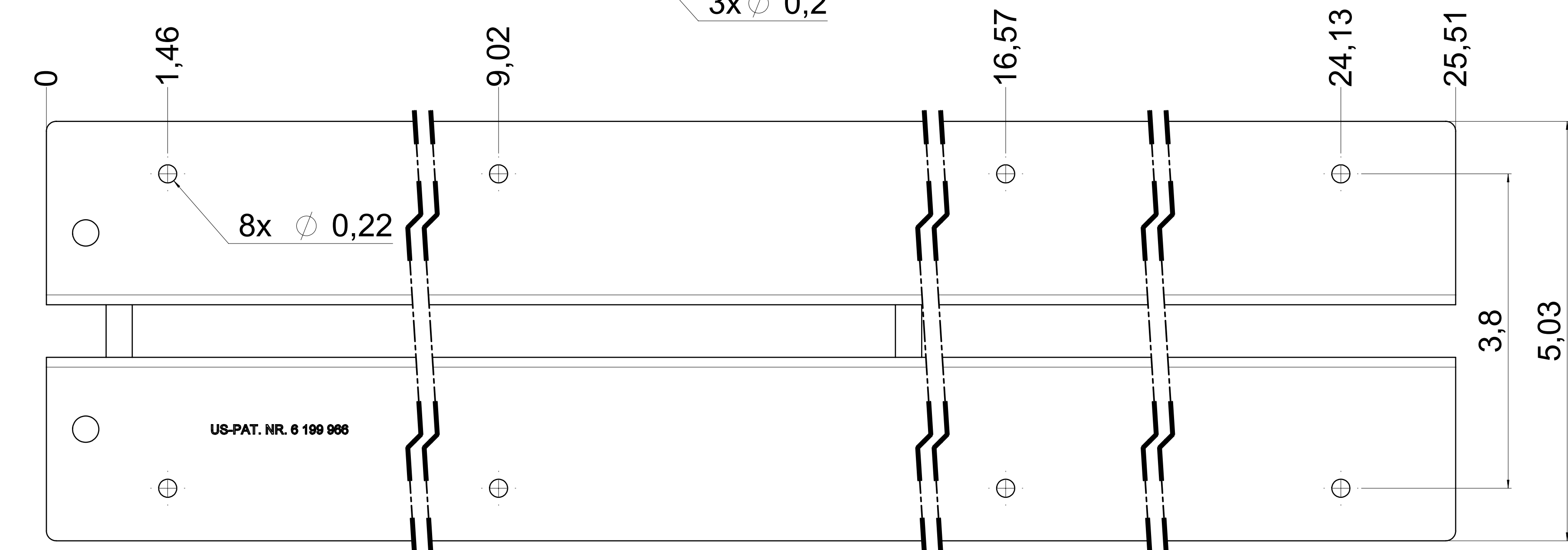
top guide cabinet profile



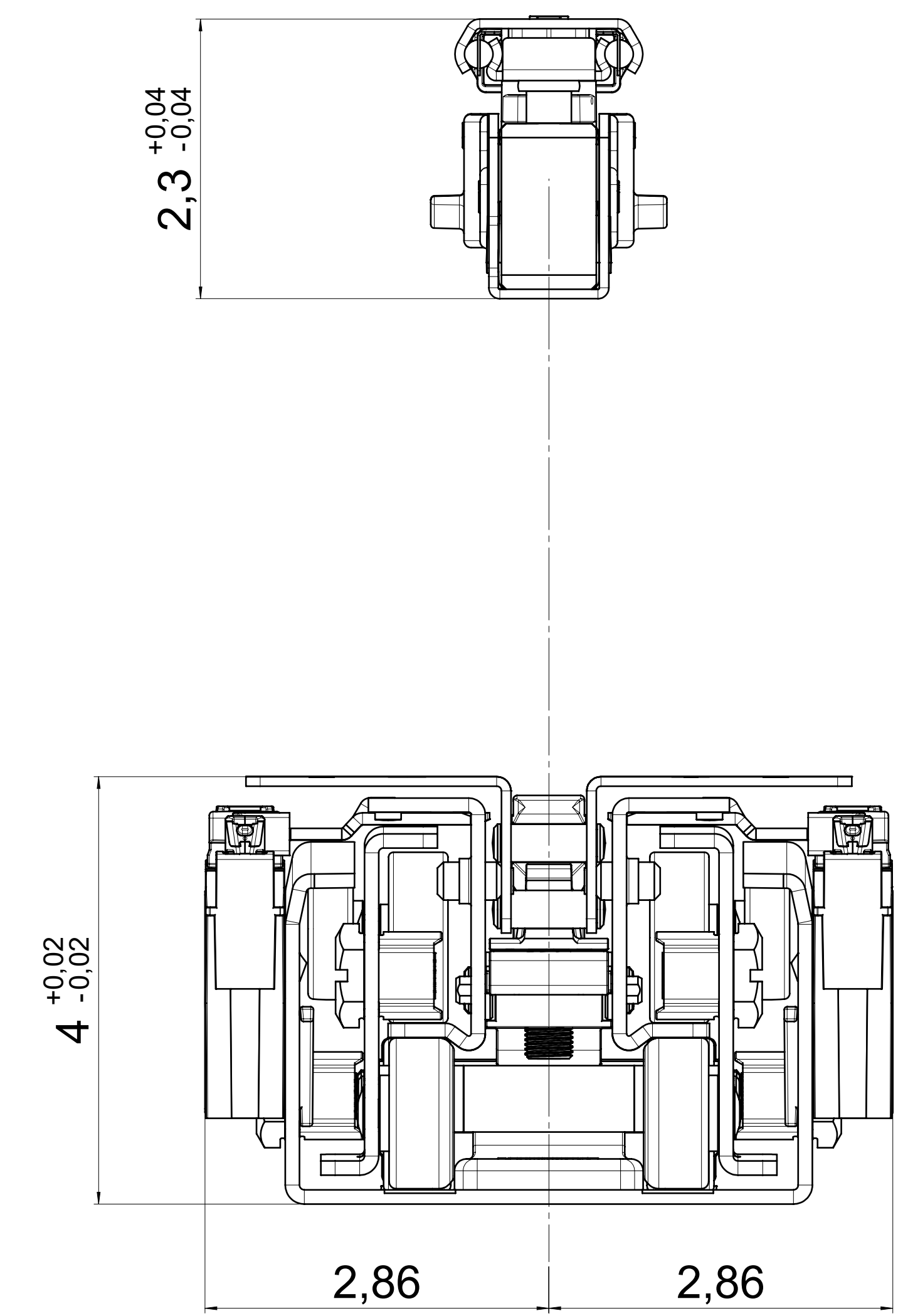
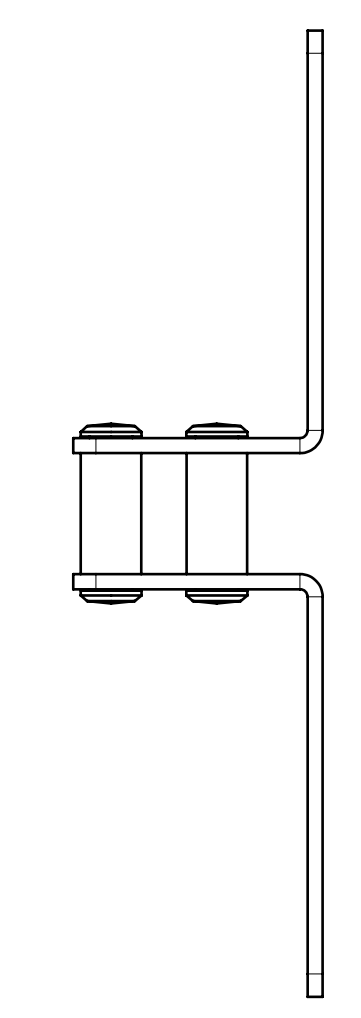
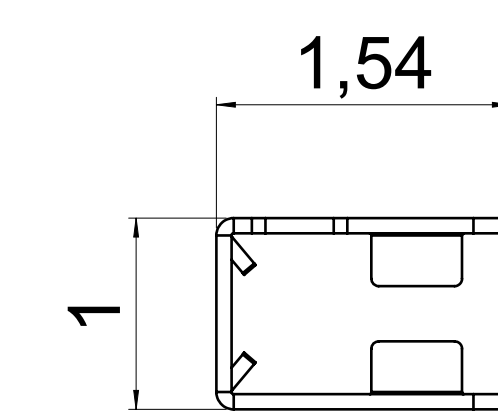
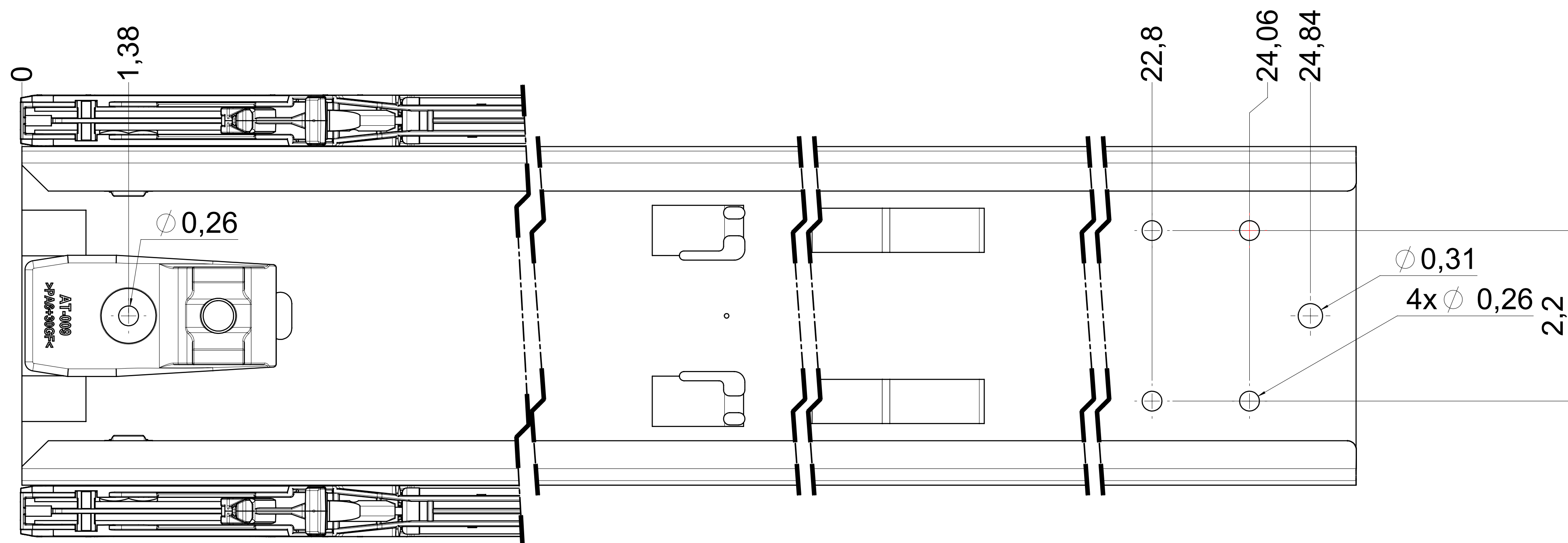
top guide drawer profile



bottom guide drawer profile



bottom guide cabinet profile



final approval

customer name:

signed by:

date:

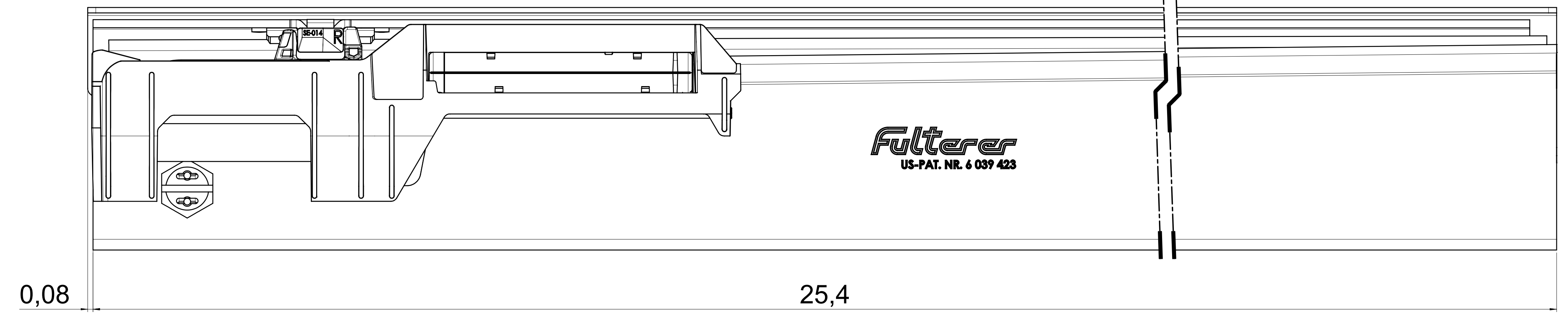
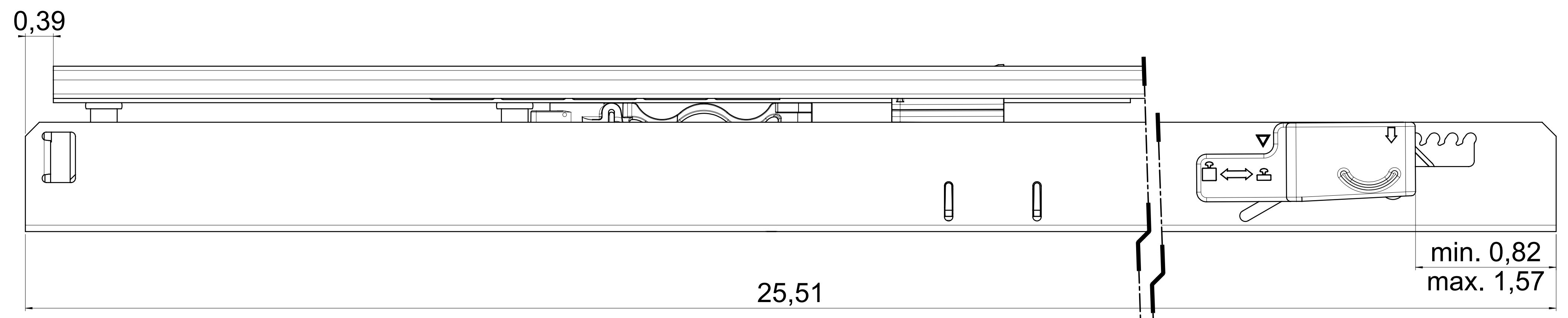
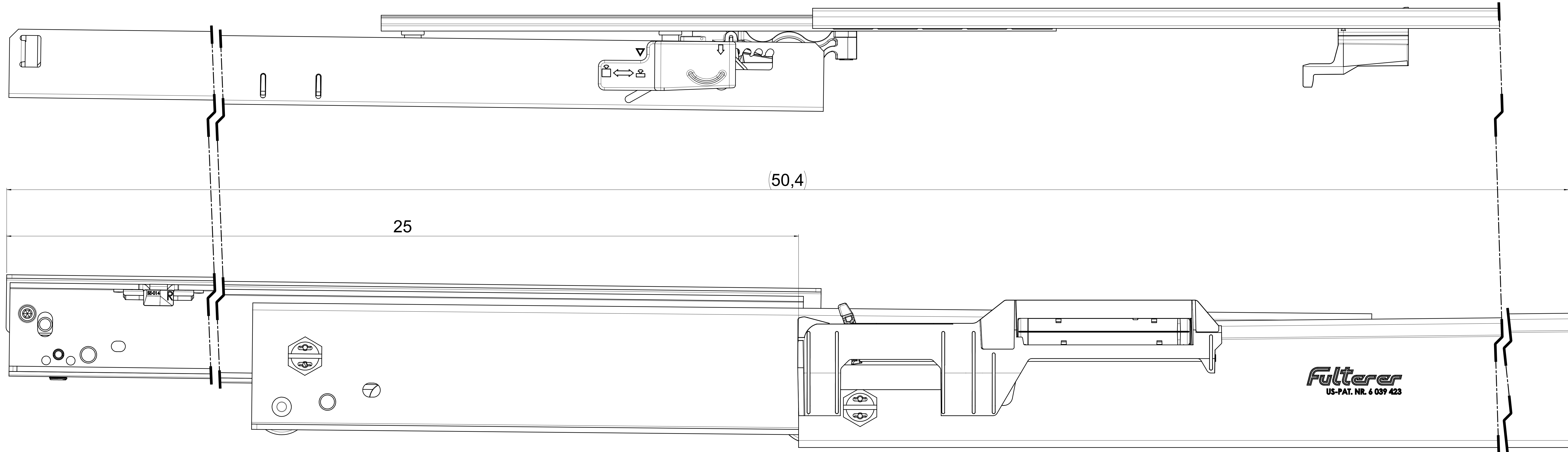
all dimensions in inch

⊕ DIN ISO 128-30
missing dimensions see 3D
= theor. intersection

This drawing remains our property and may not be disclosed to third parties (§§1,3 and 5 from the copyright Act (UrHG)).
covered according to DIN ISO 15016

scale:	1:1	surface:	steel
material:	semi finished parts	technical requirements:	Filterer
drawn:	21-11-2021	name:	GB
proven:	00-00-0000	description:	FR 777A / 65 - EN (inch)
			progressive-action full-extension
			drawerslide / bottom mount
		drawing number:	777A.650-GA.0000
		replaces version:	0000
changes:	date:	na:	incl: date:

dimensions without coating / maximum coating allowed 0.1mm



= check dimension , next free check number

final approval

customer name: _____

signed by: _____

date: _____

all dimensions in inch				DIN ISO 128-30 missing dimensions see 3D = theor. intersection	
This drawing remains our property and may not be multiplied neither be disclosed to third parties (§§1,3 and 5 from the copyright Act (UrHG)) covered according to DIN ISO 16016				material: semi finished parts: AO	
scale:	1:1	surface:	steel	(technical requirements Filterer)	
drawn:	21-11-2021	date:	GB	description: FR 777A / 65 EN (inch)	
proven:	00-00-0000	name:	00	progressive-action full-extension drawerslide / bottom mount	
			drawing number: 777A.650-GA.0000 replaces version 0316:		
changes:	date:	na:	Filterer AG & Co KG A-6800 Lustenau / Austria Filterer AG CH-8430 St. Margrethen replaces version 0316:		