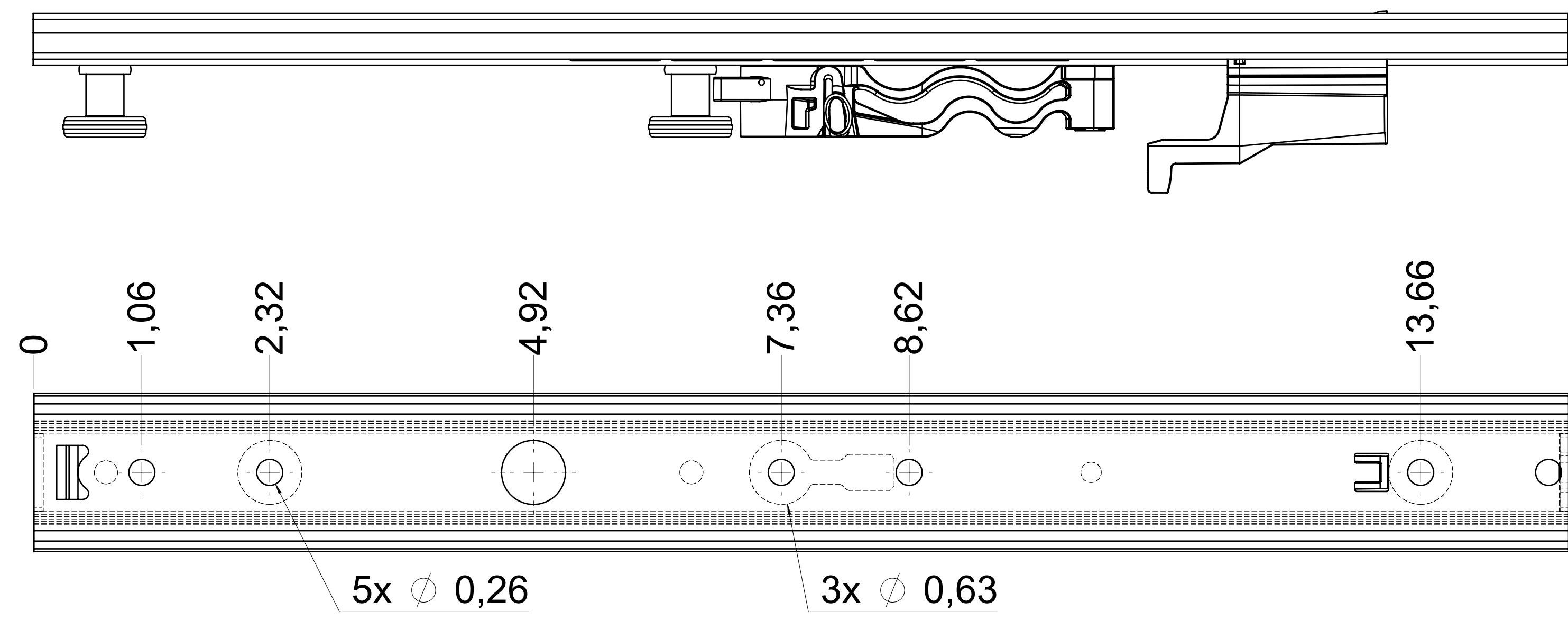


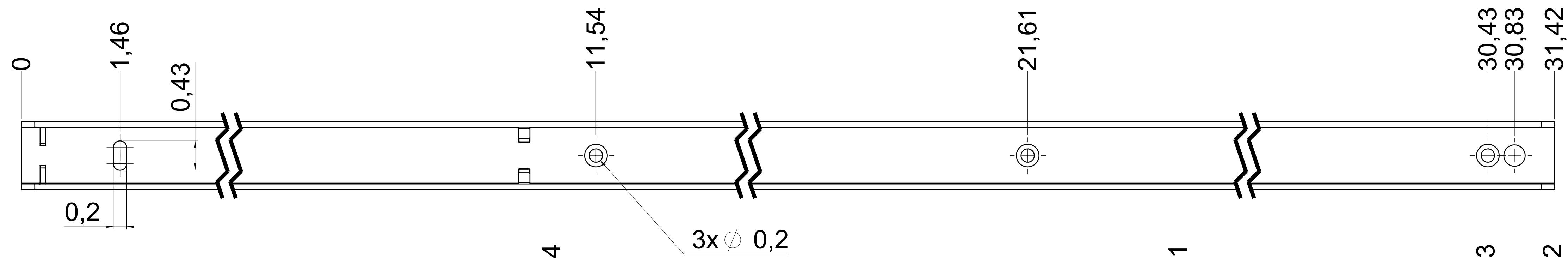
dimensions without coating / maximum coating allowed 0.1mm

X

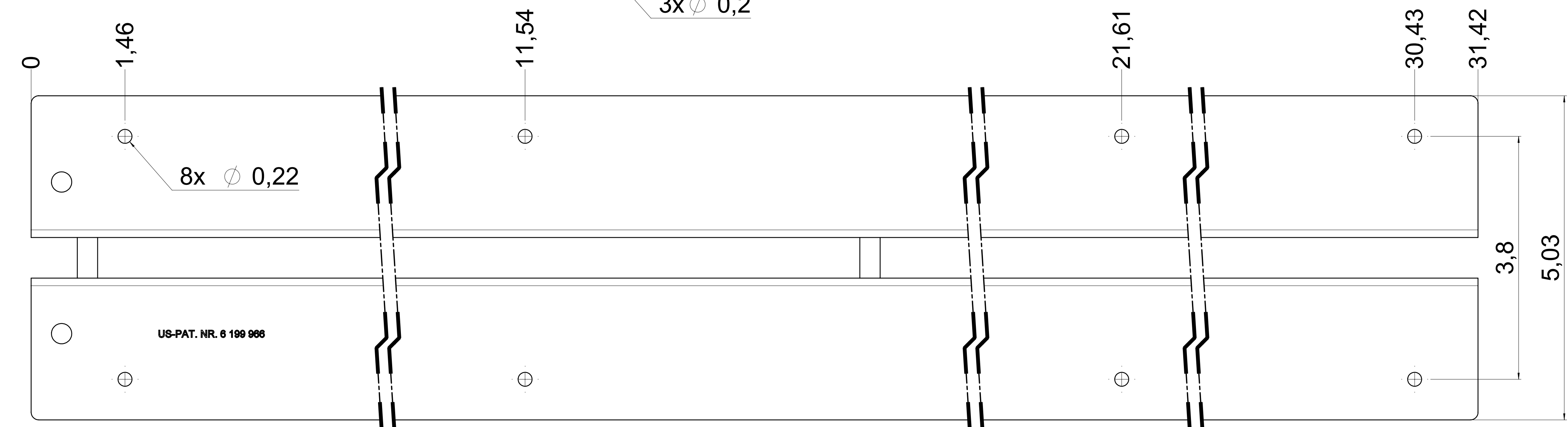
top guide cabinet profile



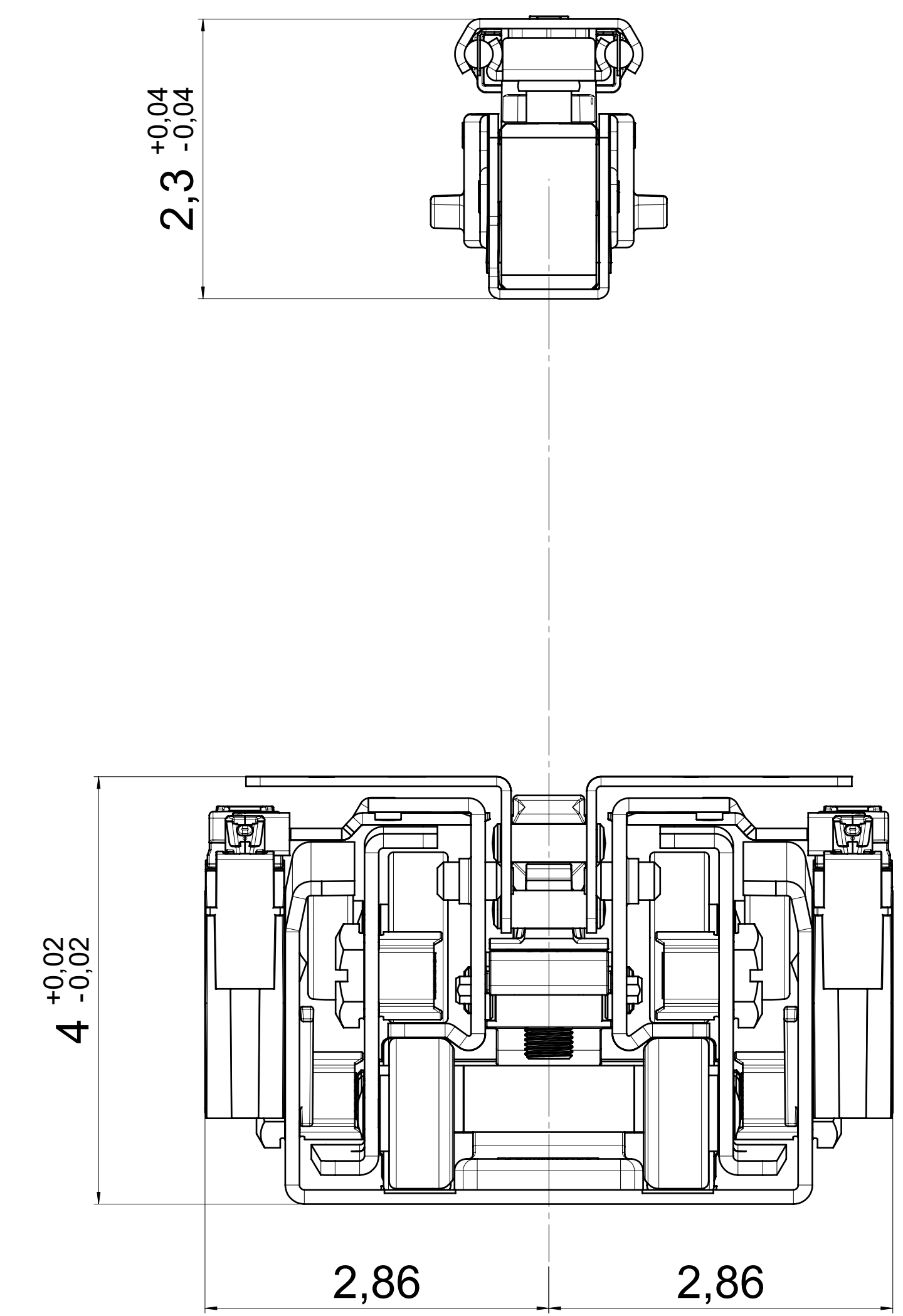
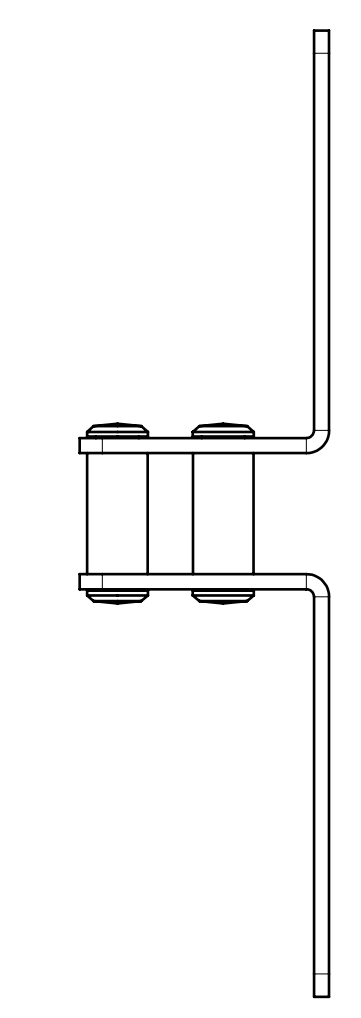
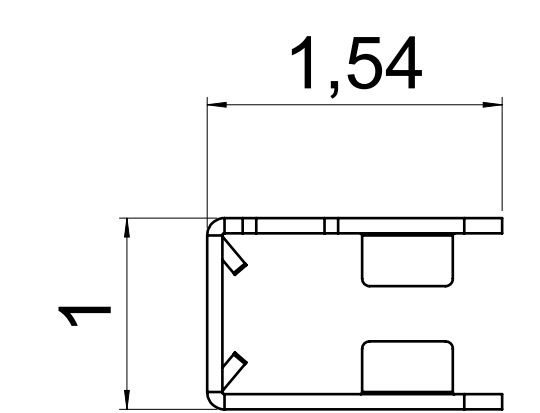
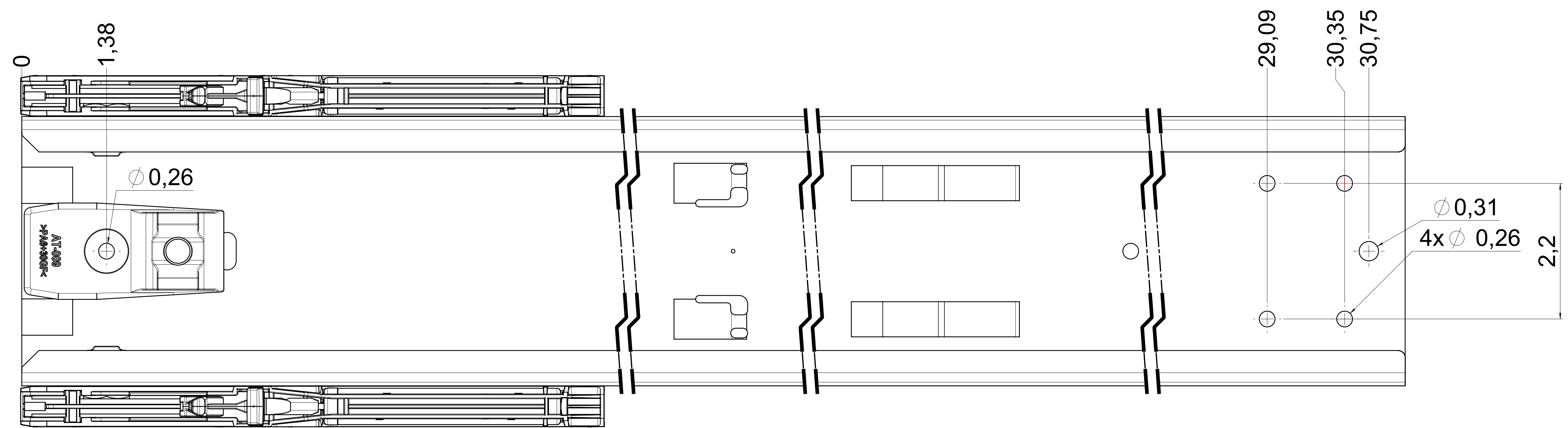
top guide drawer profile



bottom guide drawer profile



bottom guide cabinet profile



final approval

customer name:

signed by:

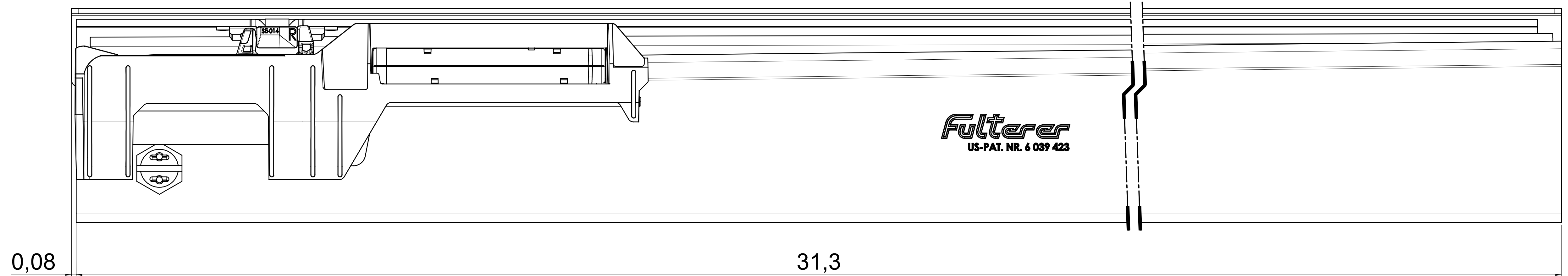
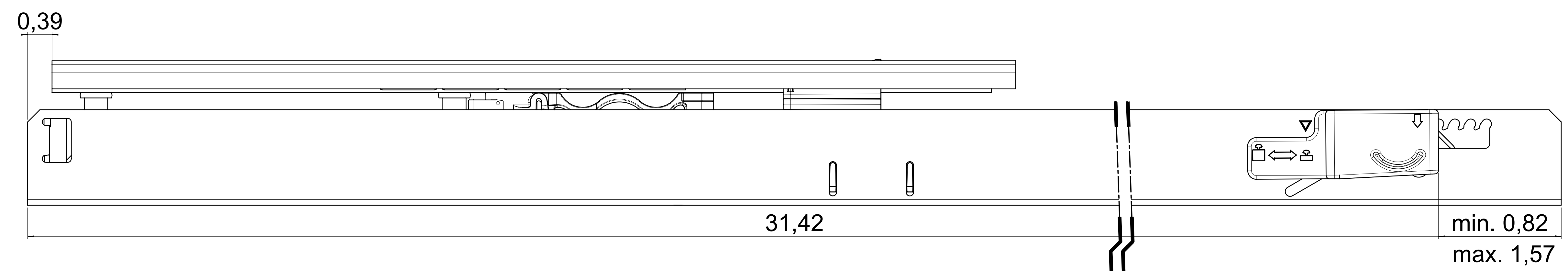
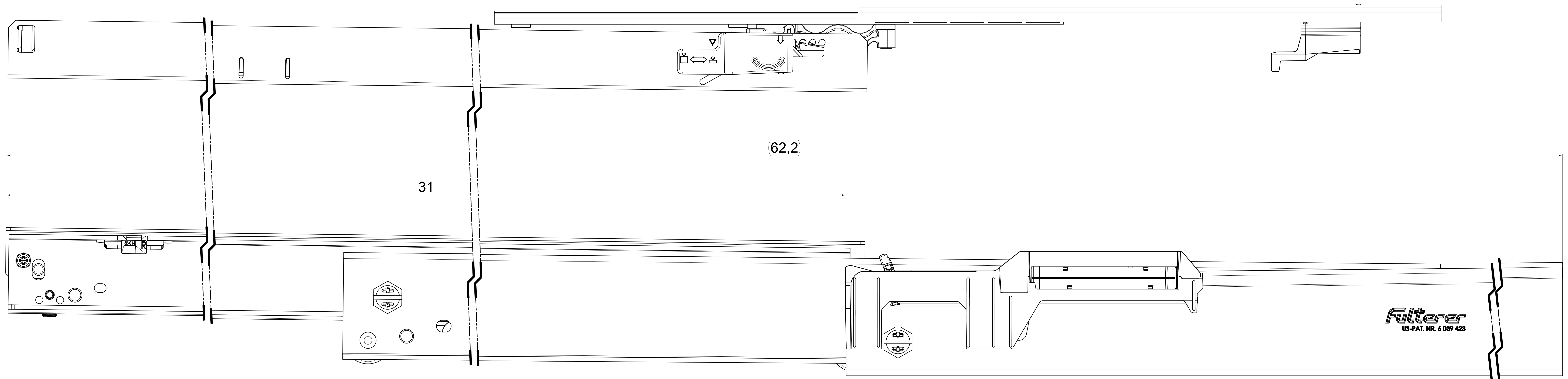
date:

<p>all dimensions in inch</p> <p>This drawing remains our property and may not be disclosed to third parties (§§1,3 and 5 from the copyright Act (UrhG)). covered according to DIN ISO 15015</p>		<p>DIN ISO 128-30 missing dimensions see 3D = theor. intersection</p>	
scale:	1:1	surface:	steel (technical requirements Filterer)
material:	semi finished parts	material:	semi finished parts
drawn:	21-11-2021	name:	GB
proven:	00-00-0000	description:	FR 777A / 80 - EN (inch) progressive-action full-extension drawerslide / bottom mount
<p>Filterer</p> <p>Filterer AG & Co KG A-6800 Lustenau / Austria CH-8430 St. Margrethen</p>		<p>drawing number: 777A.800-GA.0000 replaces version 0310:</p>	
changes:	date:	na:	na:

☒ = check dimension, next free check number

dimensions without coating / maximum coating allowed 0.1mm

X



final approval

customer name:

signed by:

date:

⚠ = check dimension , next free check number

all dimensions in inch		DIN ISO 128-30 missing dimensions see 3D = theor. intersection	
This drawing remains our property and may not be disclosed to third parties (§§1,3 and 5 from the copyright Act (UrhG)) covered according to DIN ISO 15015			
scale:	1:1	surface:	steel
material:	semi finished parts	(technical requirements Filterer)	
drawn:	21-11-2021	name:	GB
proven:	00-00-0000	description:	FR 777A / 80 EN (inch)
			progressive-action full-extension drawerslide / bottom mount
			Filterer
			Filterer AG & Co KG A-6800 Lustenau / Austria
			777A.800-GA.0000
			replaces version 03/16
changes	date	na.	