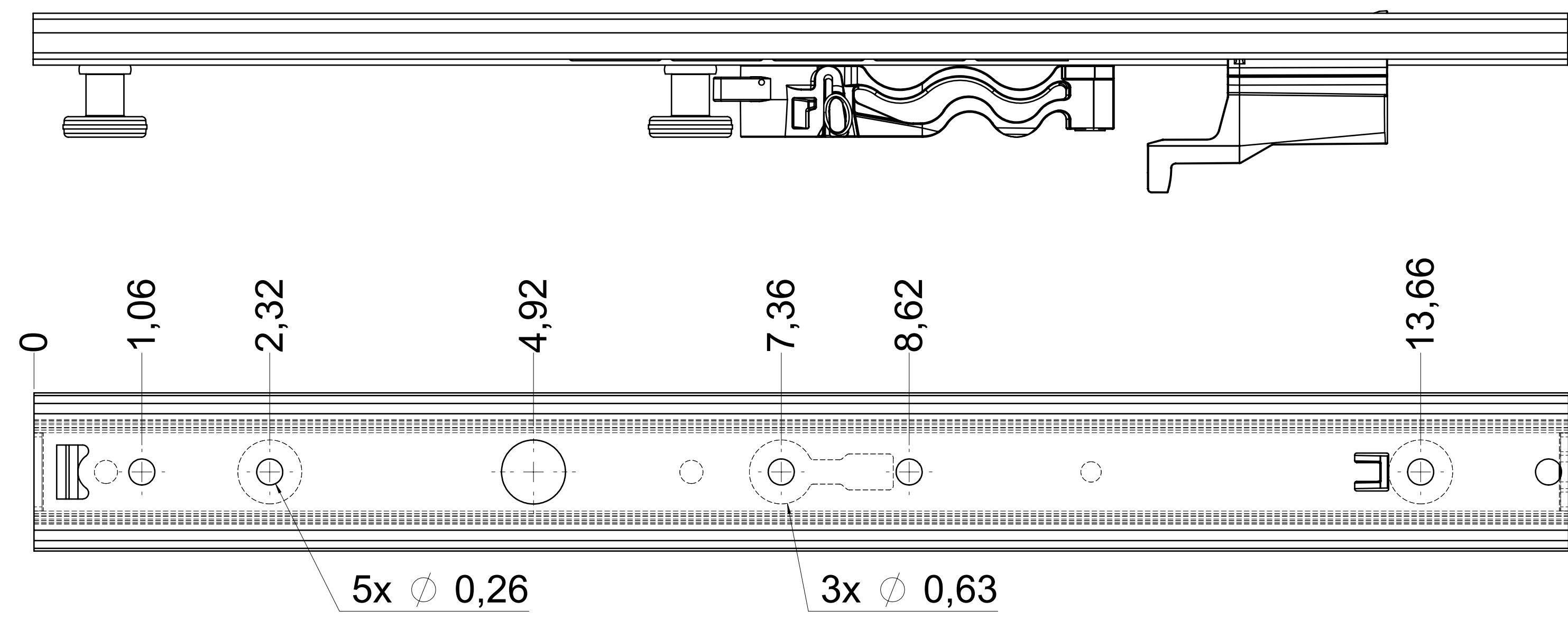
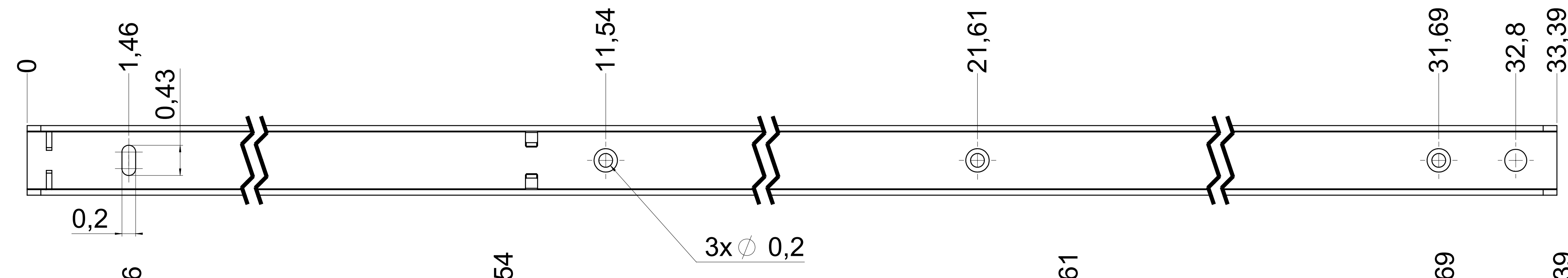


dimensions without coating / maximum coating allowed 0.1mm

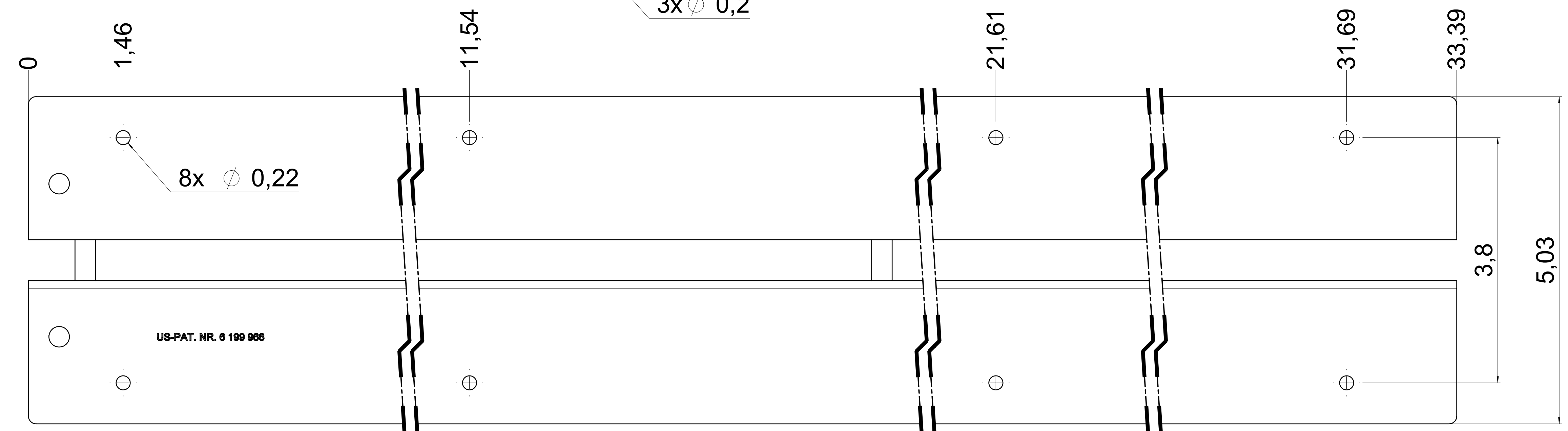
top guide cabinet profile



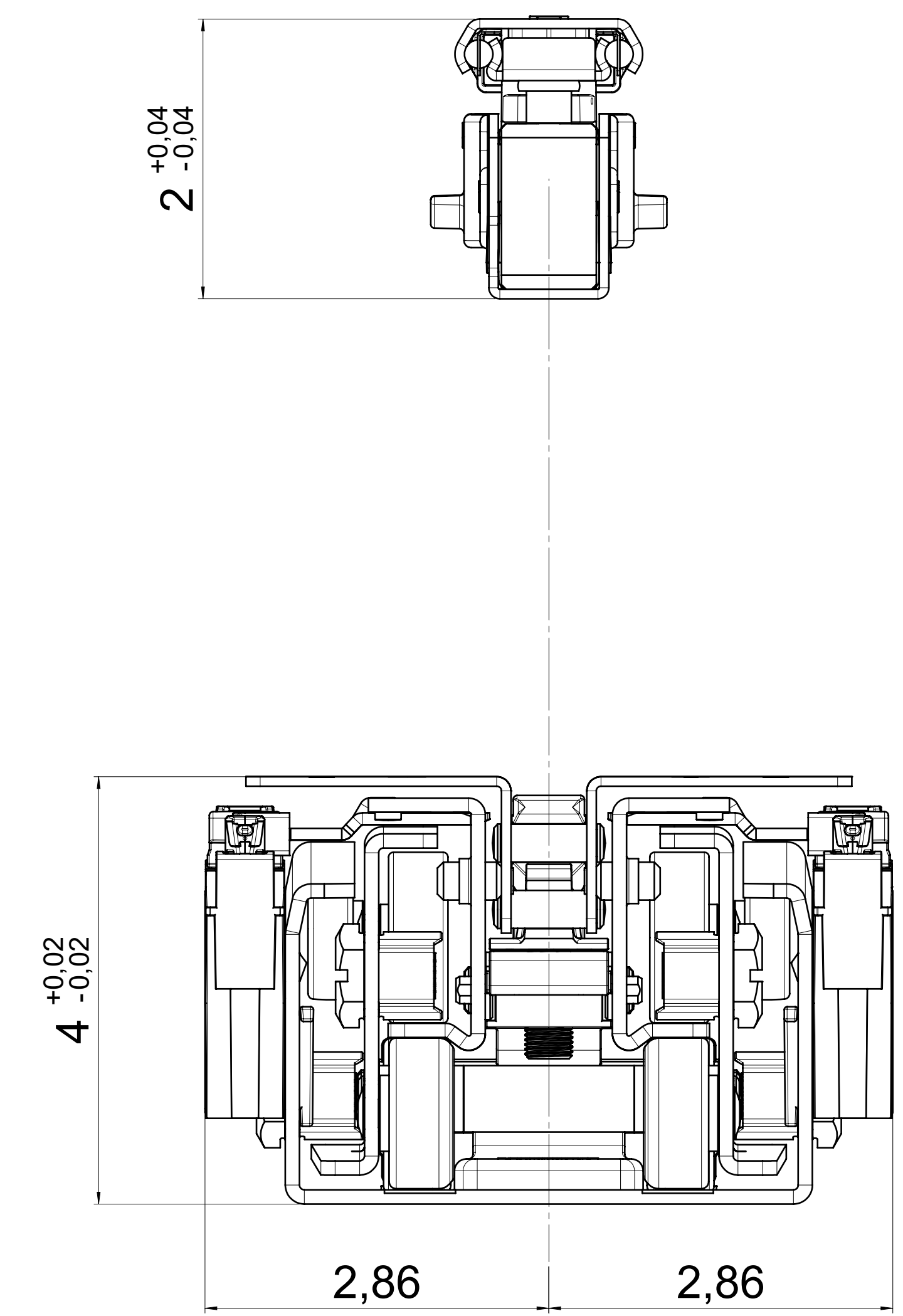
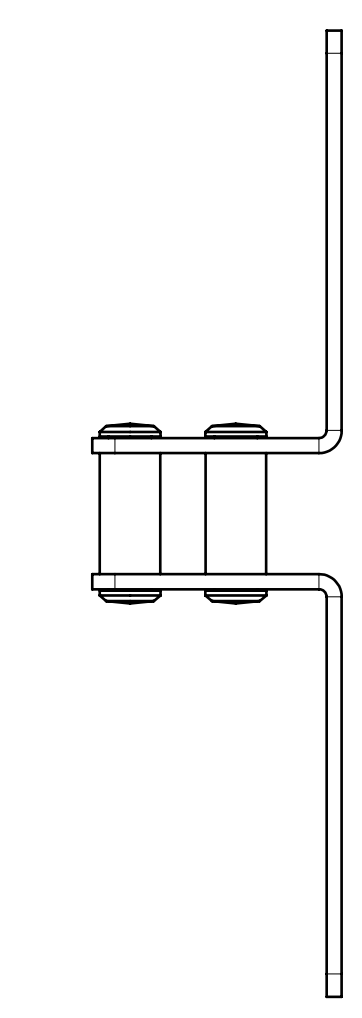
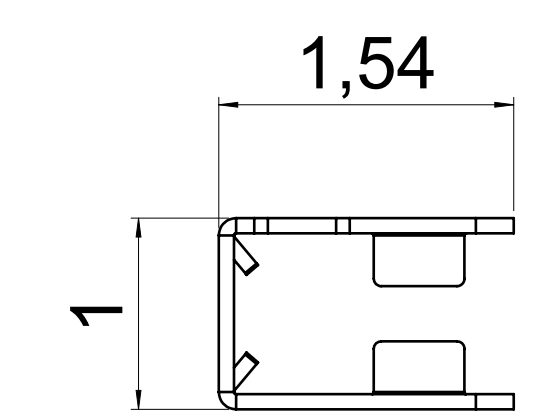
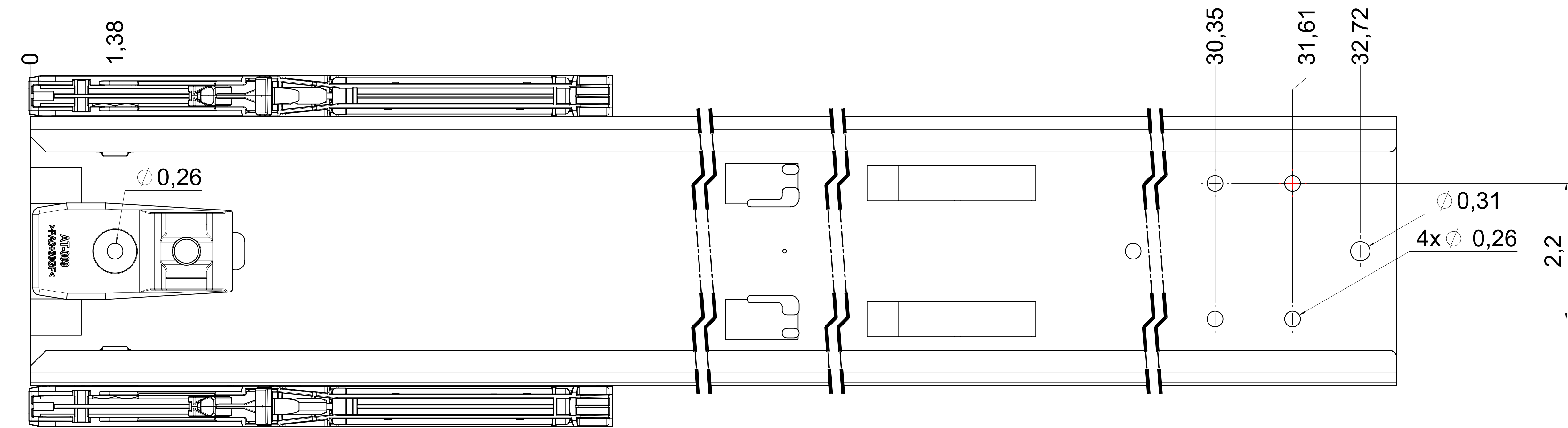
top guide drawer profile



bottom guide drawer profile



bottom guide cabinet profile



final approval

customer name: _____

signed by: _____

date: _____

all dimensions in inch

This drawing remains our property and may not be disclosed to third parties (§§1,3 and 5 from the copyright Act (UrhG)). covered according to DIN ISO 15015

scale:	1:1	surface:	steel
material:	semi finished parts	material:	steel
description:	FR 777A / 85 - EN (inch)	description:	progressive-action full-extension drawerslide / bottom mount
drawing number:	777A.850-GA.0000	drawing number:	777A.850-GA.0000
replaces version:	00	replaces version:	00

Filterer AG & Co KG
A-6890 Lustenau / Austria
C14-8430 St. Margarethen

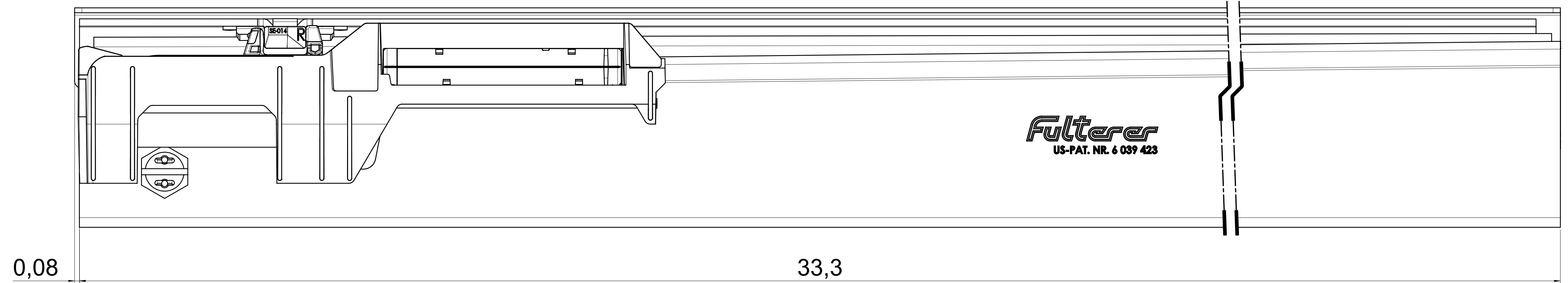
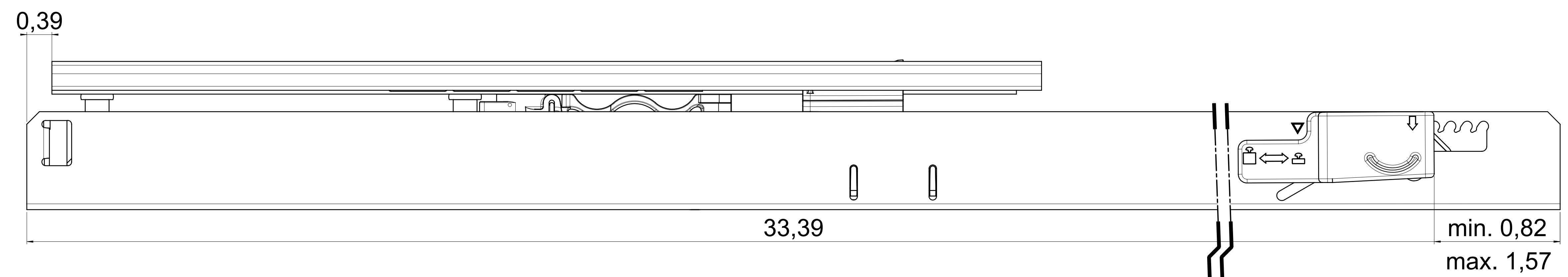
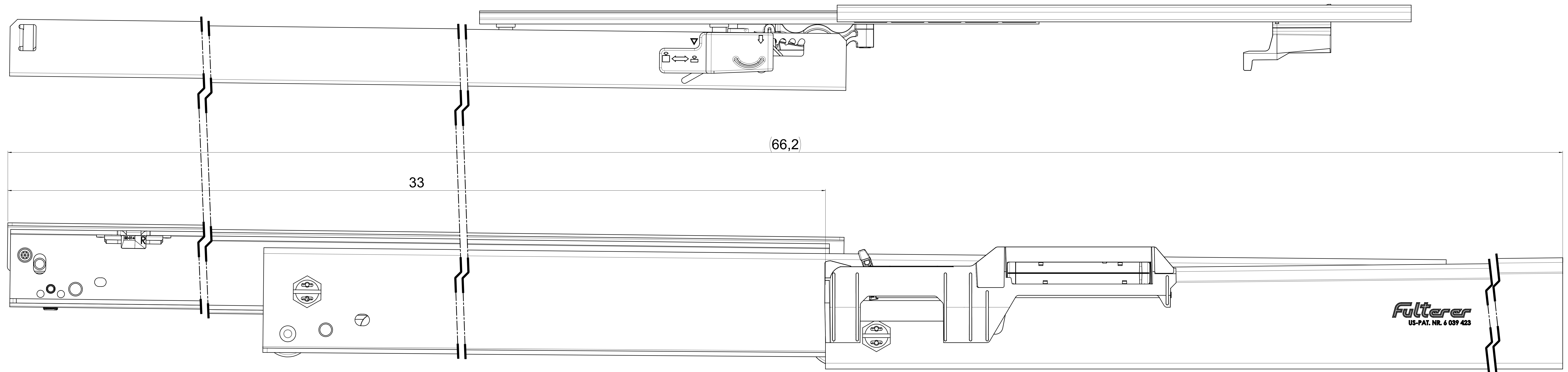
changes: _____ date: _____ na: _____

© DIN ISO 128-30
missing dimensions see 3D
= theor. intersection

AO

dimensions without coating / maximum coating allowed 0.1mm

X



= check dimension , next free check number

final approval

customer name: _____

signed by: _____

date: _____

all dimensions in inch		DIN ISO 128-30 missing dimensions see 3D = theor. intersection	
This drawing remains our property and may not be multiplied neither be disclosed to third parties (§§1,3 and 5 from the copyright Act (UrhG)) covered according to DIN ISO 15016		scale:	surface:
1:1	steel	material: semi finished parts: AO	
drawn 21-11-2021	name GB	(technical requirements Filterer)	
proven 00-00-0000	00	description: FR 777A / 85 EN (inch) progressive-action full-extension drawerslide / bottom mount	
		drawing number: 777A.850-GA.0000	
Filterer AG & Co KG A-6800 Lustenau / Austria		replaces version 0310:	
Filterer AG CH-8430 St. Margrethen			
changes	date	na.	