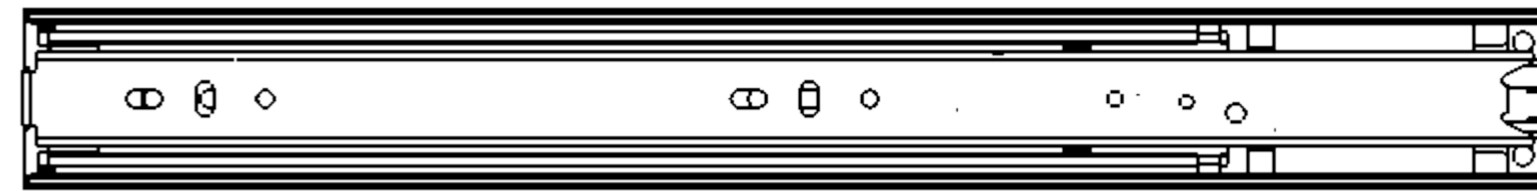
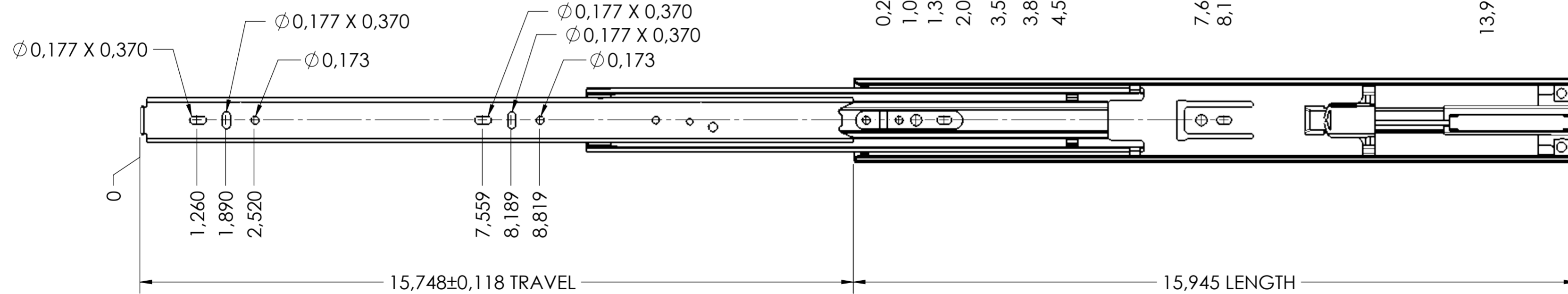
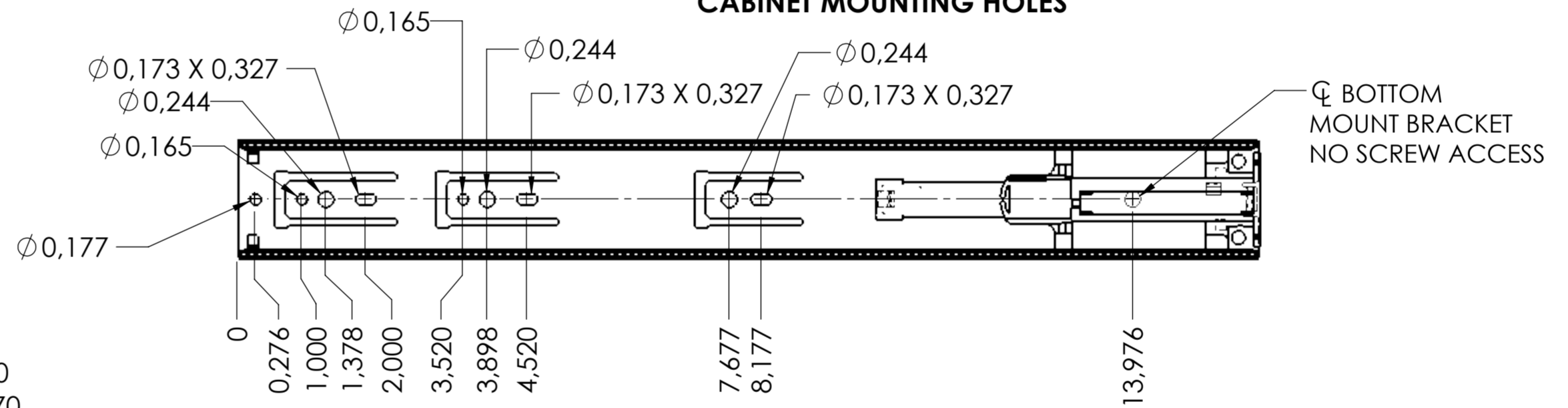


SCALE 1:1



CABINET MOUNTING HOLES



ECD SPRING FORCE: 16N ± 2N PER SLIDE

RECOMMENDED HARDWARE:

CABINET- 3.5MM SPAX M4 BUTTON HEAD OR #8 TRUSS HEAD SCREW

DRAWER- 3.5MM SPAX M4 BUTTON HEAD OR #8 TRUSS HEAD SCREW

general tolerances		DIN ISO 128-30 missing dimensions see 3D = theor. intersection	
ISO 2768-m			
This drawing remains our property and may not be multiplied neither be disclosed to third parties (§§1,3 and 5 from the copyright Act (UrhG)) covered according to DIN ISO 16016			
scale:		surface:	
1:2		STAINLESS STEEL	
date		name	
16-05-2019		HB	
proven		description:	
00-00-0000		00	
		SIDE MOUNT FULL EXTENSION DRAWER SLIDE WITH SOFT CLOSE & DRAWER DISCONNECT	
drawing number:		drawing number:	
5001.405-GA.T049		5001.405-GA.T049	
replaces version date:		replaces version date:	
ind.	changes	date	na.
0		00-00-0000	0