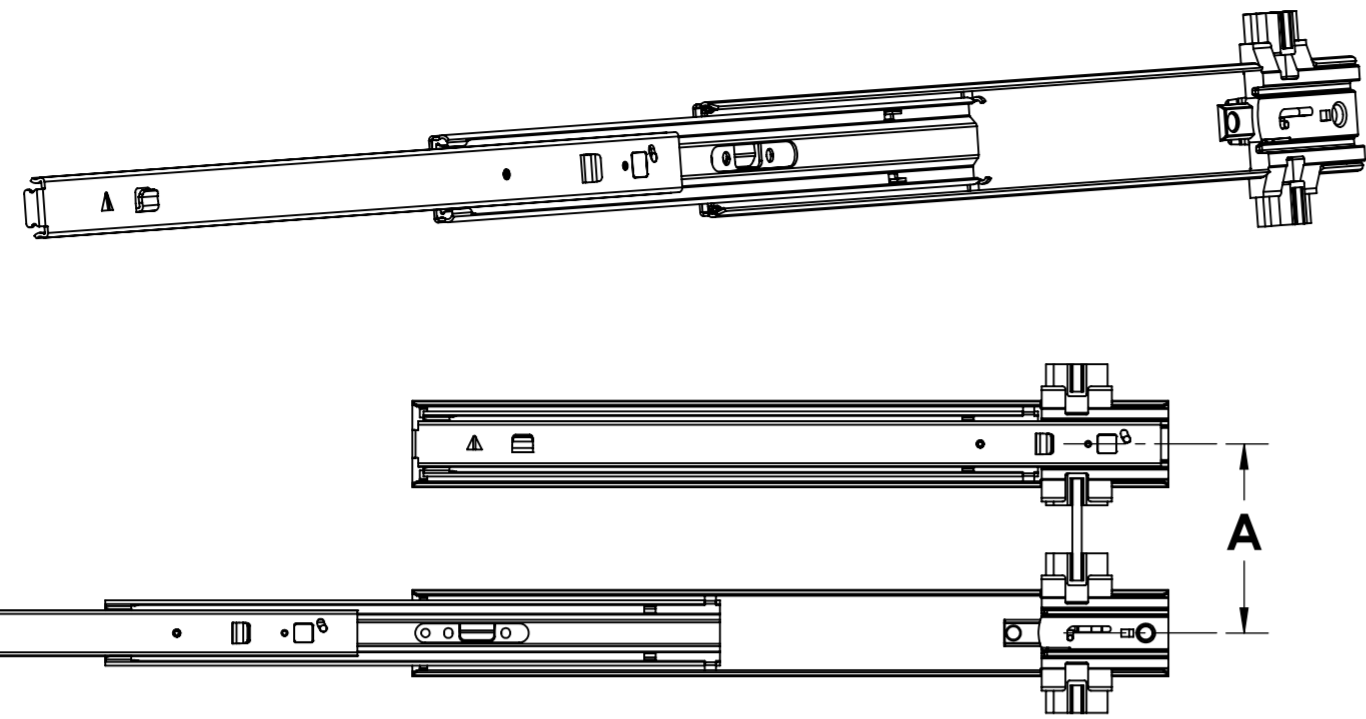
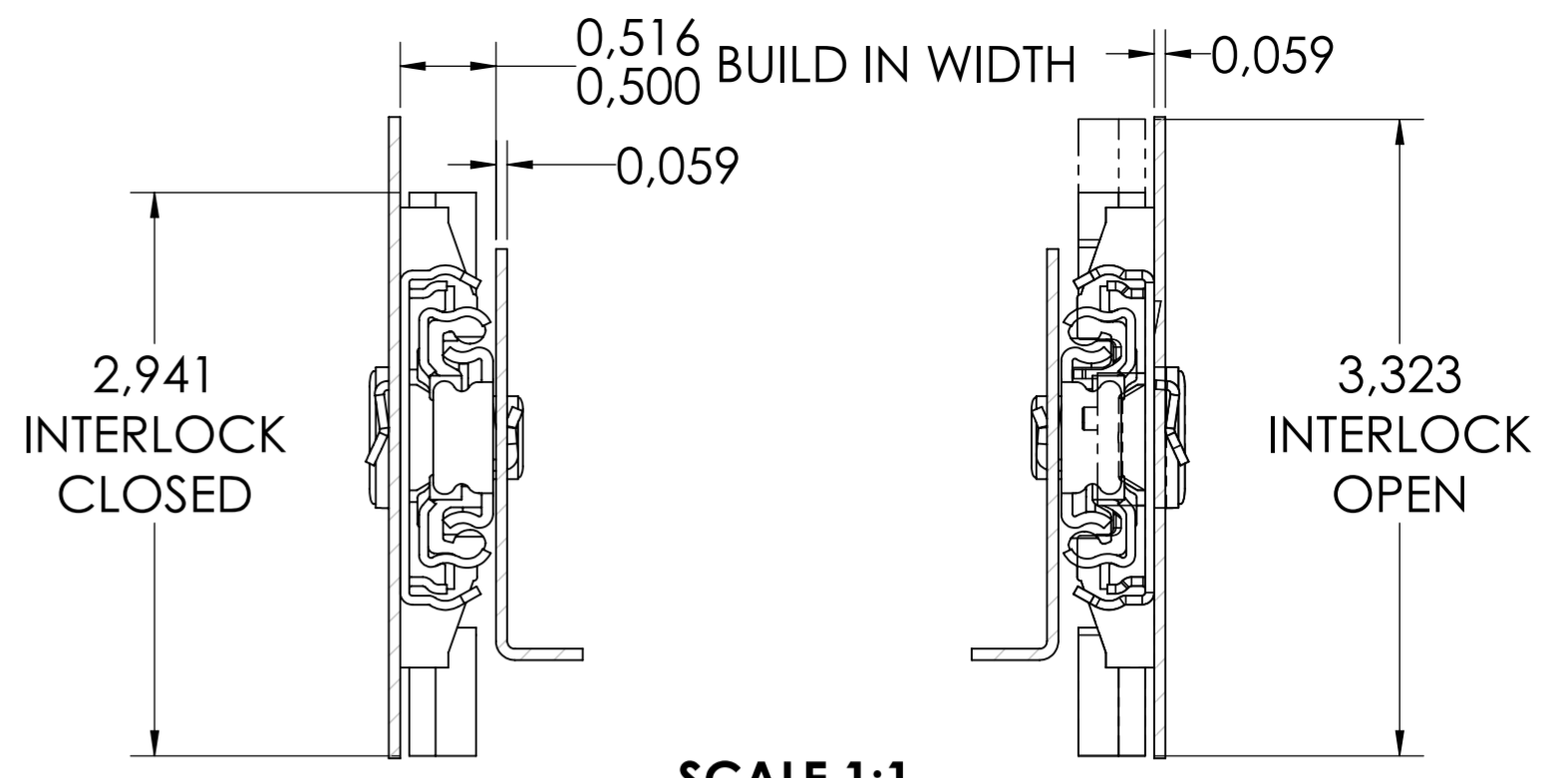


# 5019.450-GA.T120



L

**ROD LENGTH  $L^{+0.5} = A-46$**   
 $\varnothing 5\text{mm}$  ROD  
**FULTERER PART NUMBER 400246**



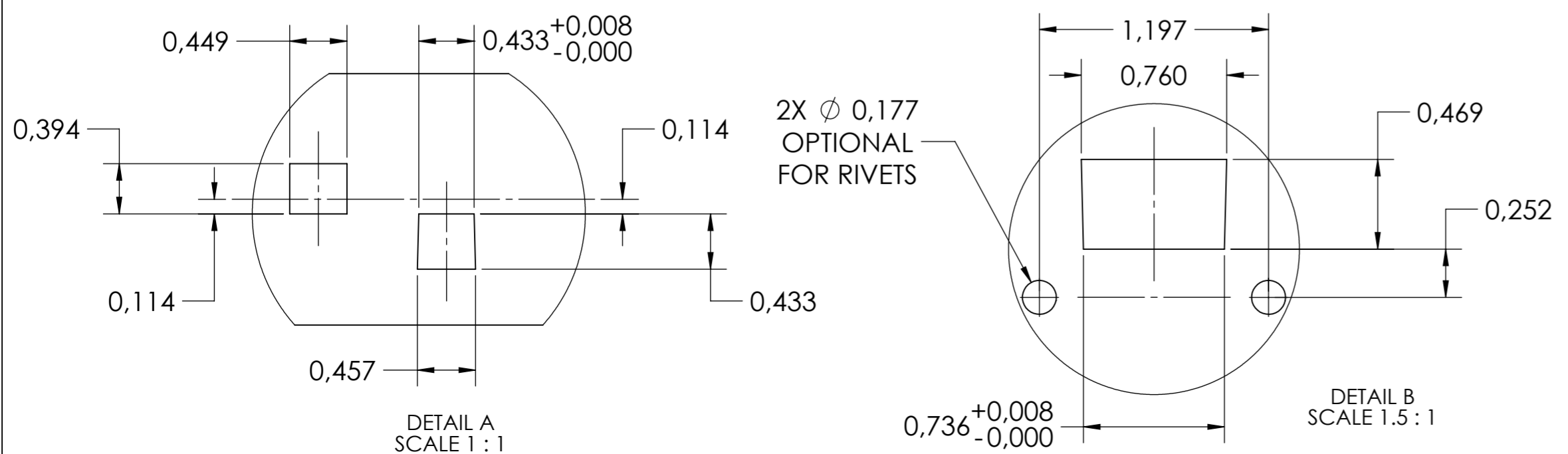
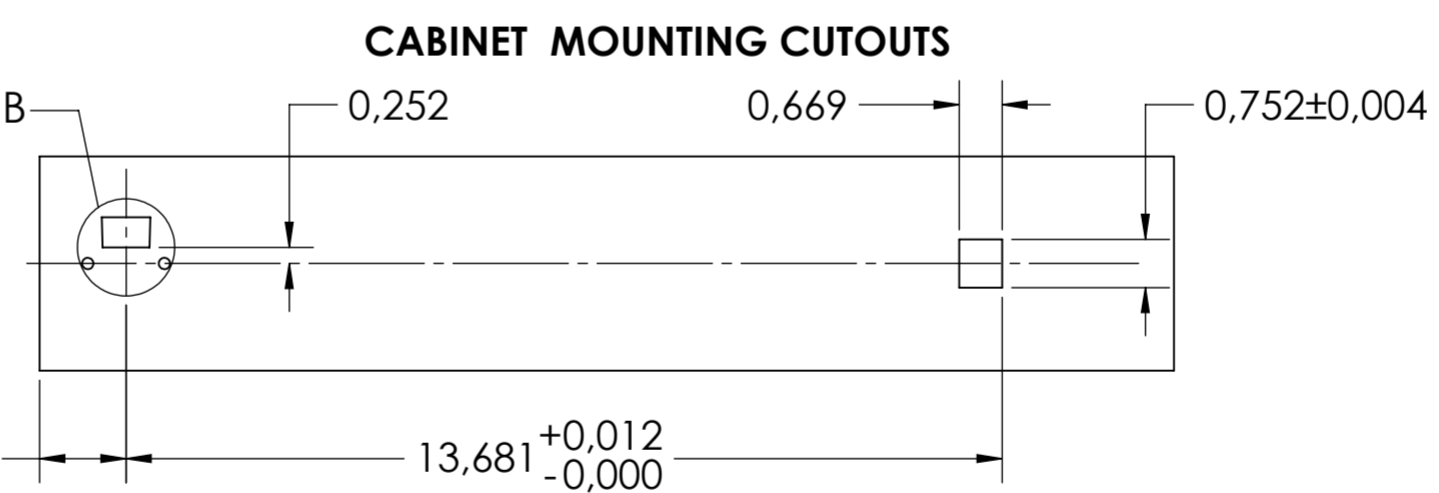
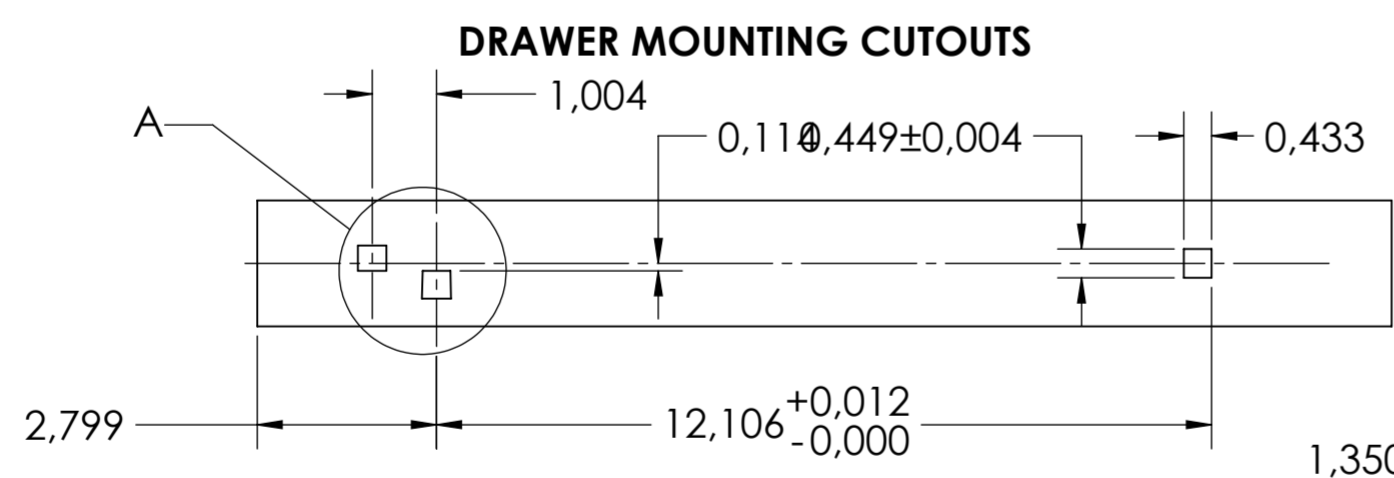
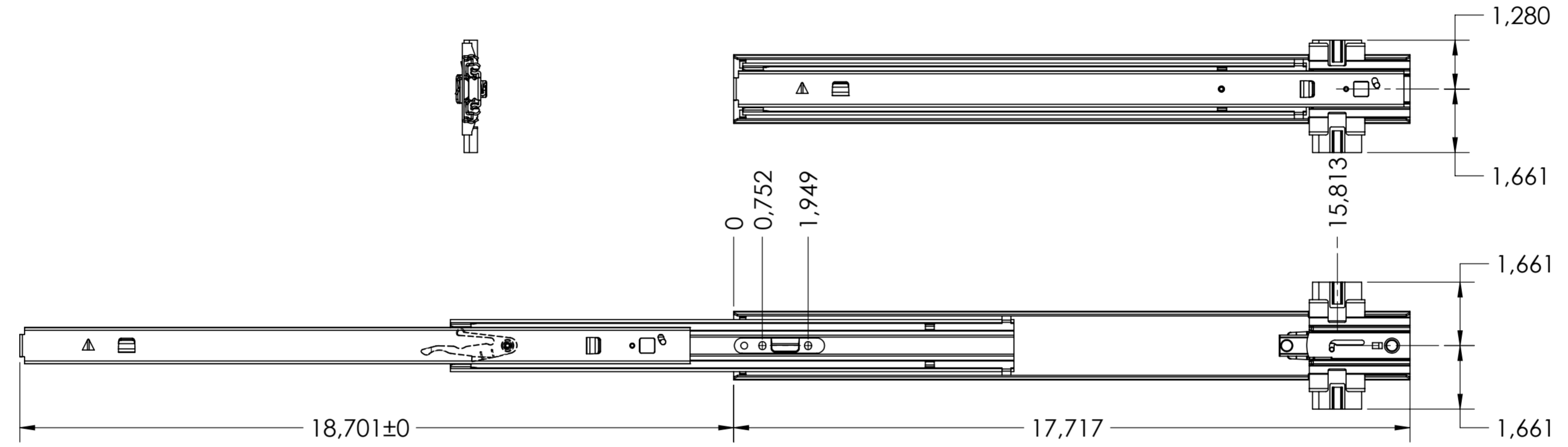
2,941  
INTERLOCK  
CLOSED

3,323  
INTERLOCK  
OPEN

**SCALE 1:1**

SCALE 1:4  
NOTE: 400MM LENGTH SHOWN

RECOMMENDED MIN. DISTANCE "A" = 90mm



general tolerances		DIN ISO 128-30 missing dimensions see 3D = theor. intersection	
ISO 2768-m			
This drawing remains our property and may not be multiplied neither be disclosed to third parties (§§1,3 and 5 from the copyright Act (UrhG)) covered according to DIN ISO 16016			
(k)		scale:	1:3
(l)		surface:	A2
(m)		date:	05-06-2019
(n)		name:	HB
(o)		drawn:	00-00-0000
(p)		proven:	00
(q)		<b>Fulterer</b>	
(r)			
(s)		Fulterer AG & Co KG A-6890 Lustenau / Austria	
(t)		Fulterer AG CH-9430 St. Margrethen	
(u)		drawing number: <b>5019.450-GA.T120</b>	
(v)		replaces version date:	
(w)		ind.:	changes
(x)		date:	00-00-0000
(y)		na.:	0