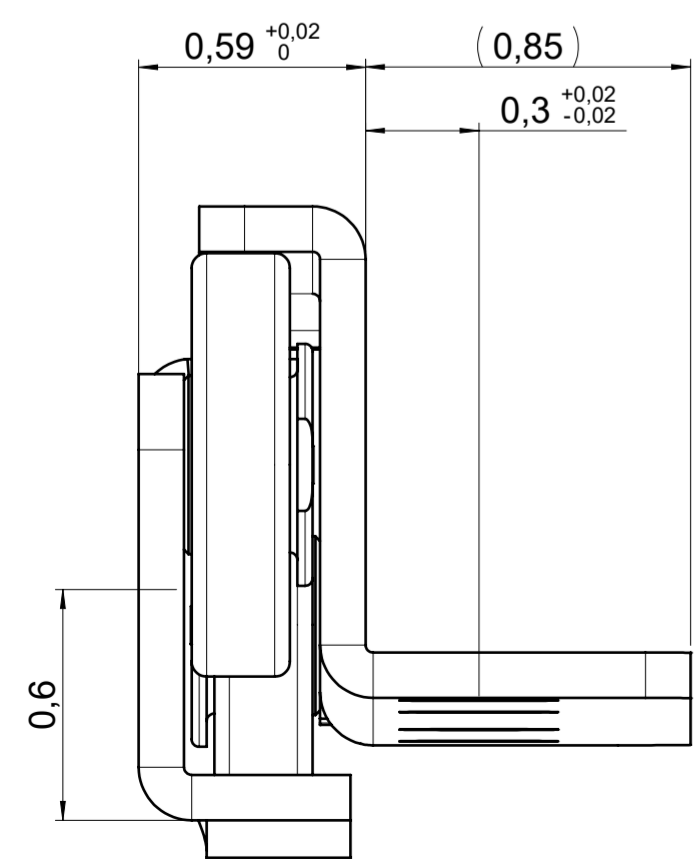
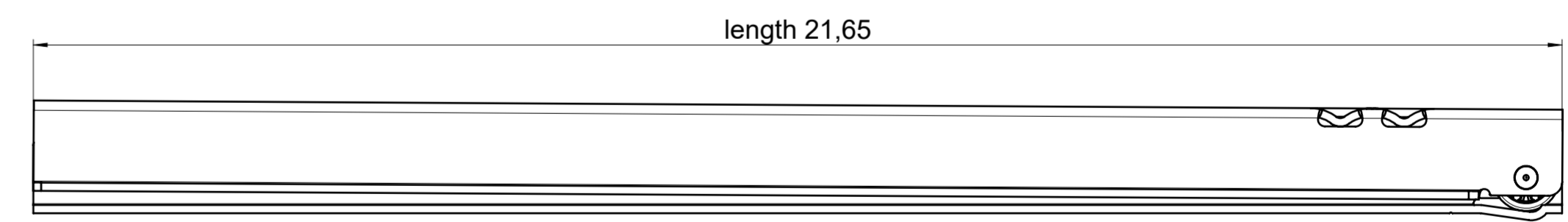
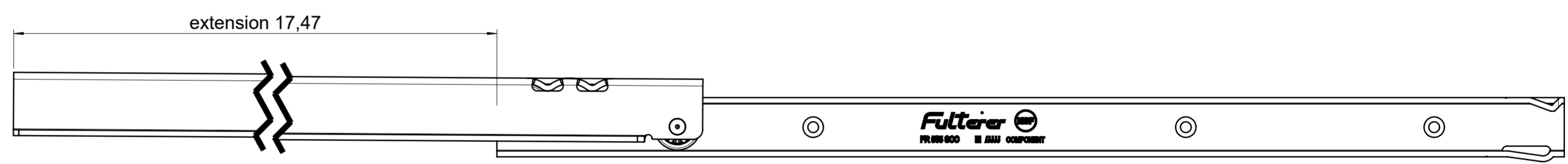
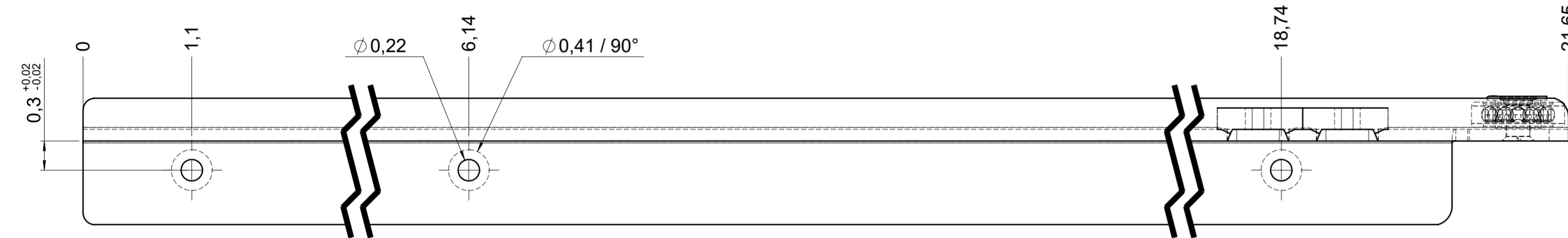
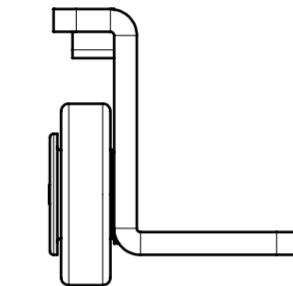
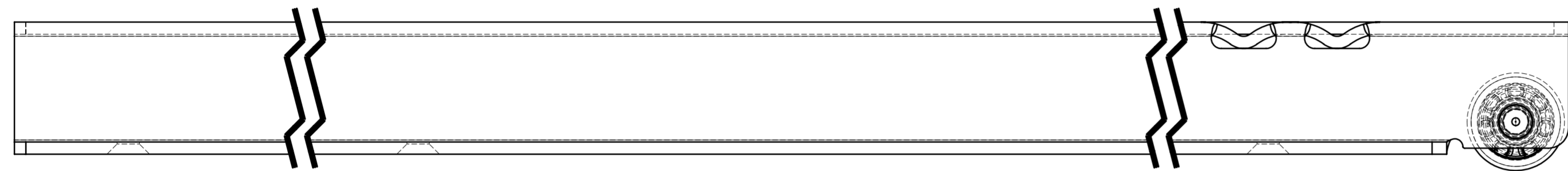
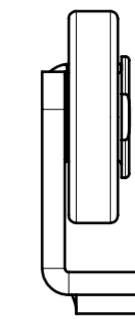
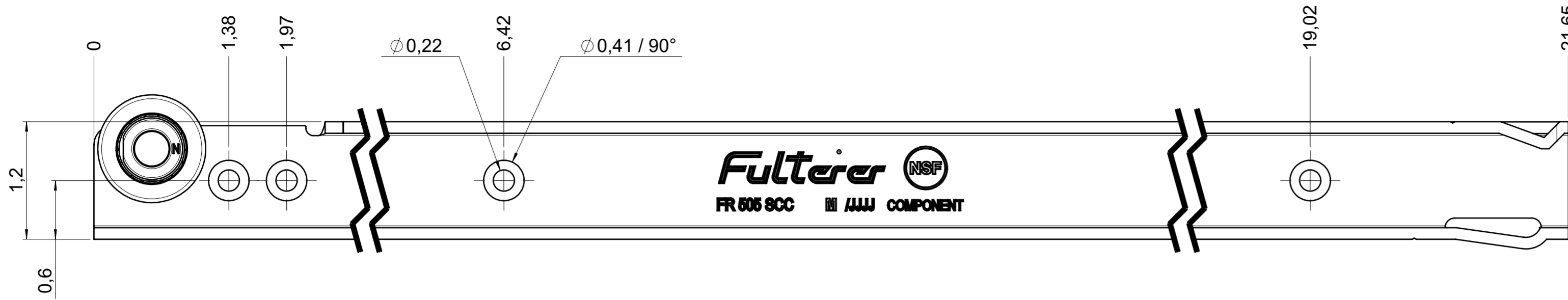


drawn left (right mirrorimage)



final approval

customer name:

signed by:

date:

all dimensions in inch				DIN ISO 128-30 missing dimensions see 3D = theor. intersection	
This drawing remains our property and may not be multiplied neither be disclosed to third parties (§§1,3 and 5 from the copyright Act (UrhG)) covered according to DIN ISO 16016					
scale: 1:1		surface:		material, semi finished parts: CS (technical requirements Fulterer)	
(k)		drawn	23-01-2023	date	name
(l)		proven	01-02-2023	date	name
(m)				description: FR 505 / 55 CS EN (inch) regular-extension drawerside / bottom mount	
(n)				drawing number: CS# 505.550-GA.0000	
(o)				replaces version date:	
(p)					
(q)				Fulterer AG & Co KG A-6890 Lustenau / Austria Fulterer AG CH-9430 St. Margrethen	
(r)		ind.	changes	date	na.