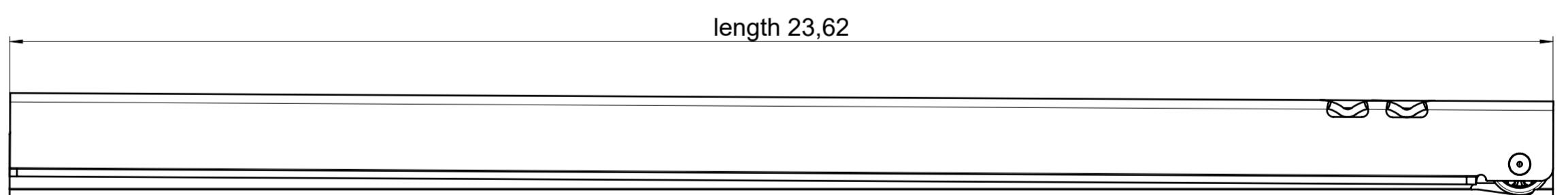
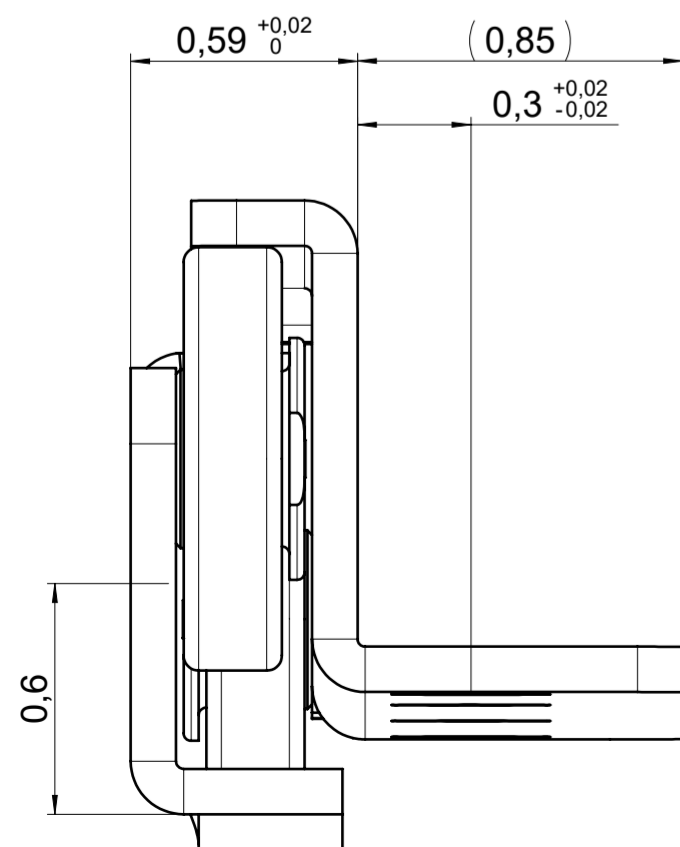
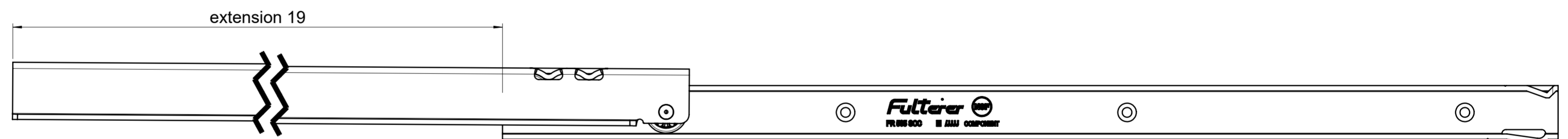
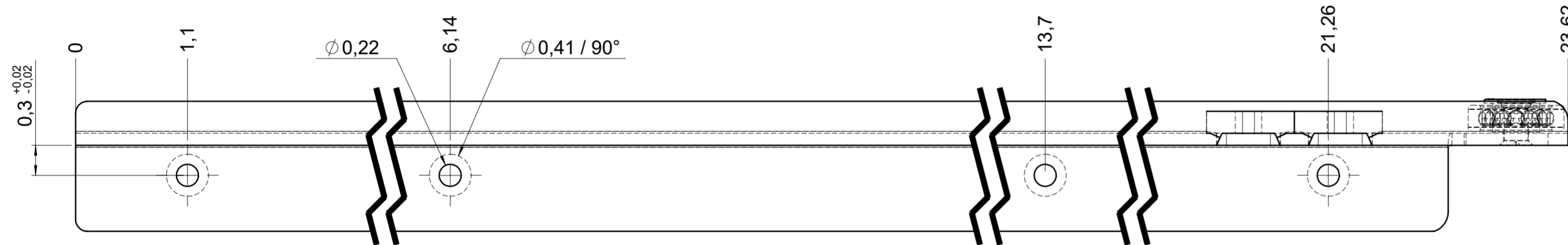
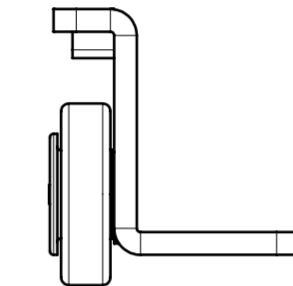
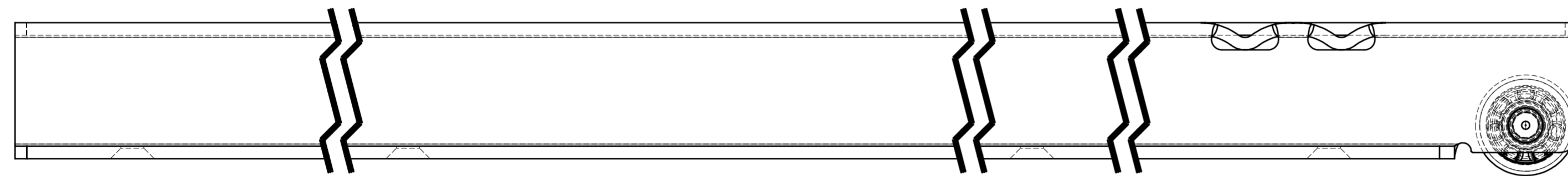
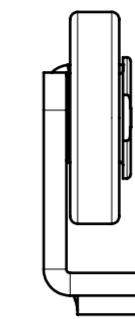
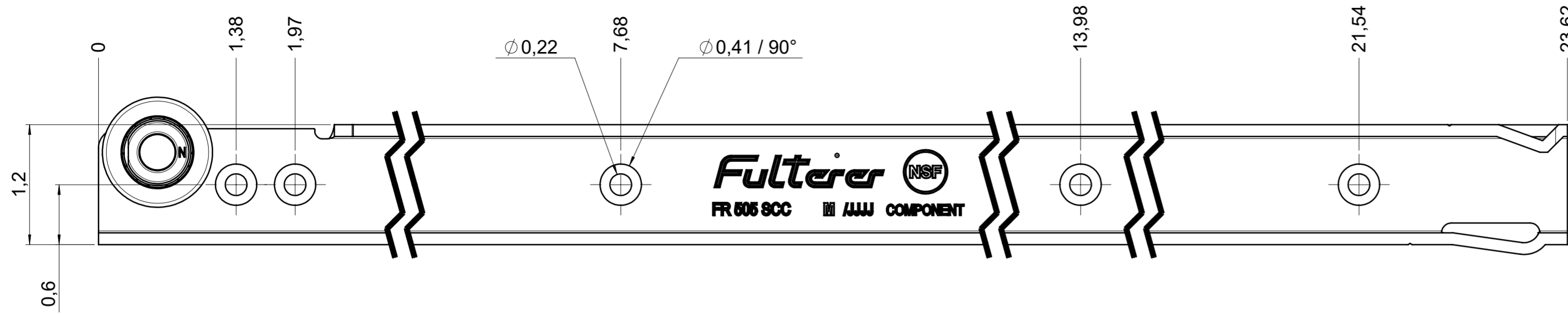


drawn left (right mirrorimage)



**final approval**

customer name:

signed by:

date:

<b>all dimensions in inch</b>				DIN ISO 128-30 missing dimensions see 3D = theor. intersection	
This drawing remains our property and may not be multiplied neither be disclosed to third parties (§§1,3 and 5 from the copyright Act (UrhG)) covered according to DIN ISO 16016					
scale: 1:1		surface:		material, semi finished parts: CS (technical requirements Fulterer)	
(k)		date	name	description: FR 505 / 60 CS EN (inch) regular-extension drawerside / bottom mount	
(l)		drawn 23-01-2023	ex		
(m)		proven 01-02-2023	pr		
(n)					
(o)				drawing number: <b>CS# 505.600-GA.0000</b> replaces version date:	
(p)					
(q)					
(r)					
(s)		Fulterer AG & Co KG A-6890 Lustenau / Austria Fulterer AG CH-9430 St. Margrethen			
(t)		ind.	changes	date	na.