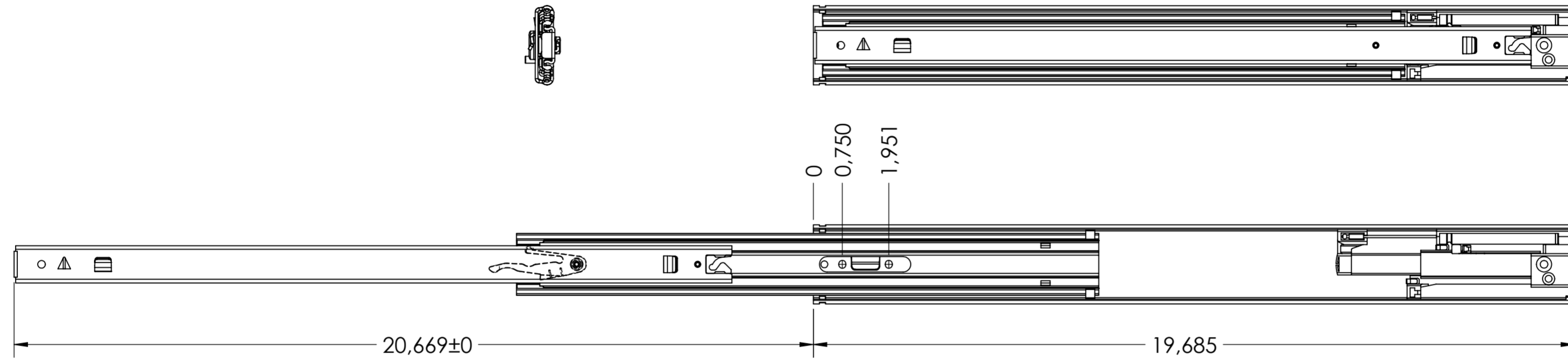
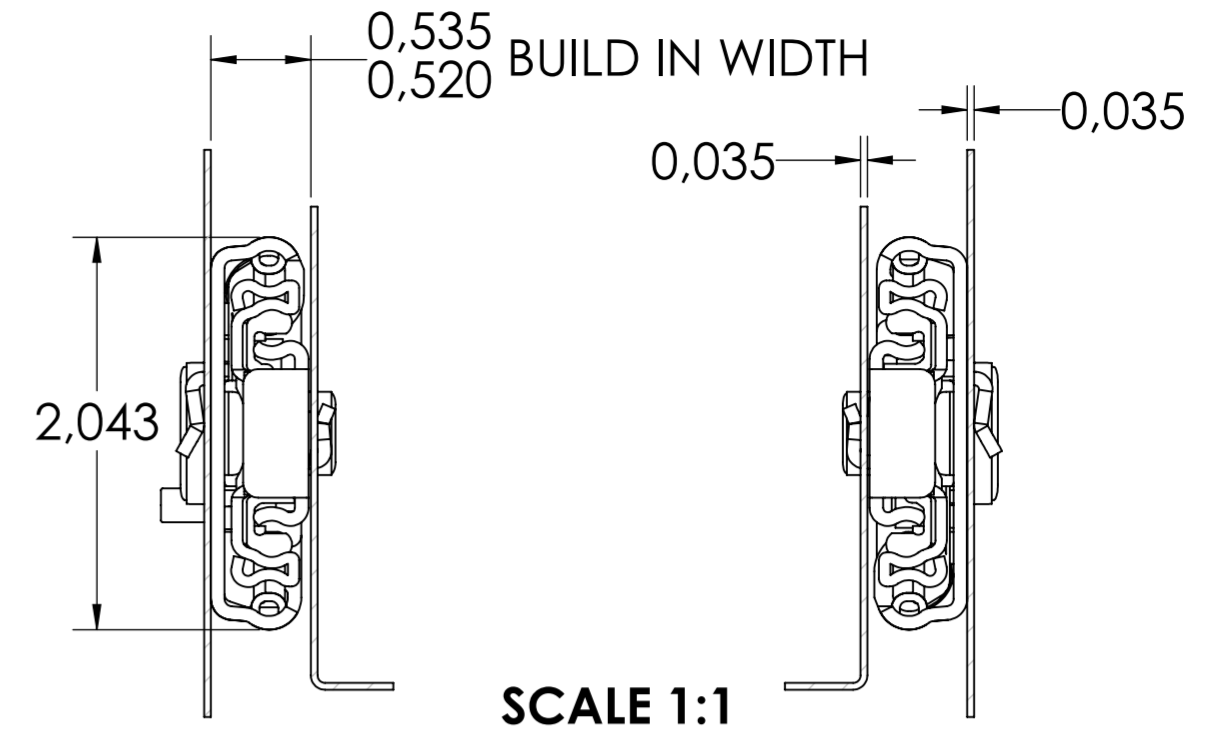


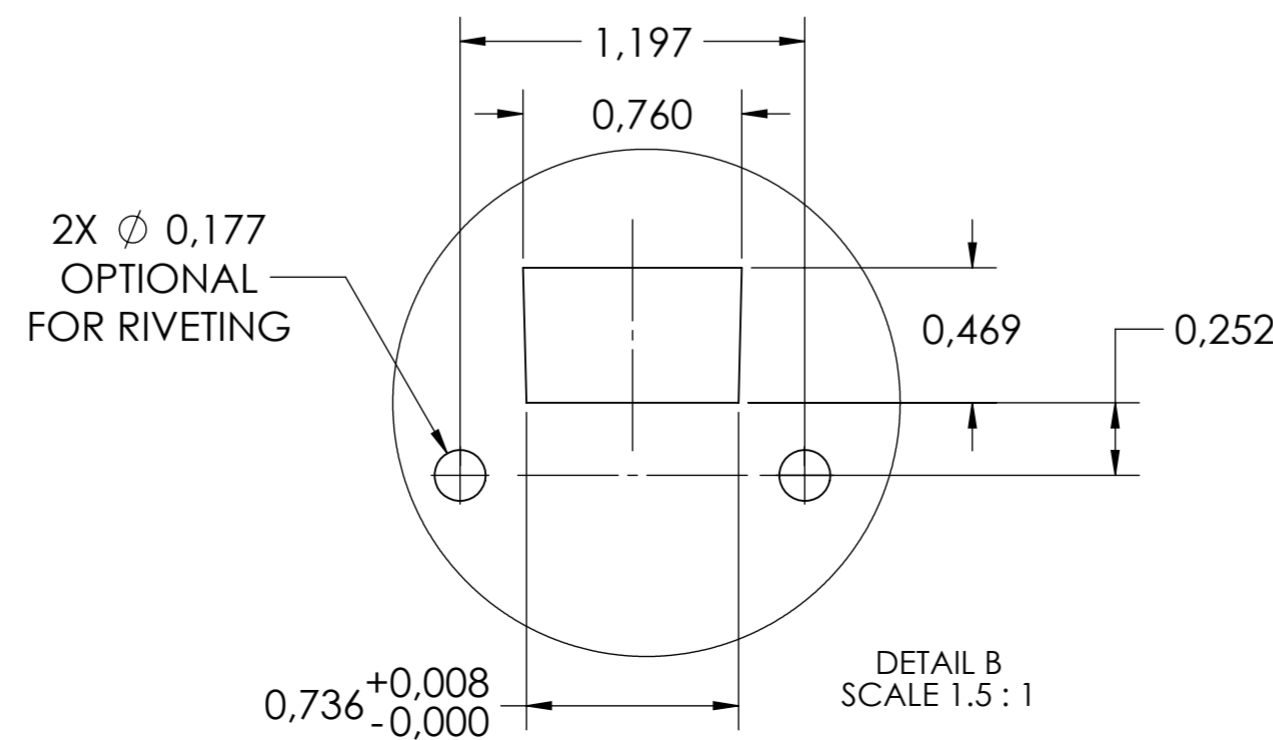
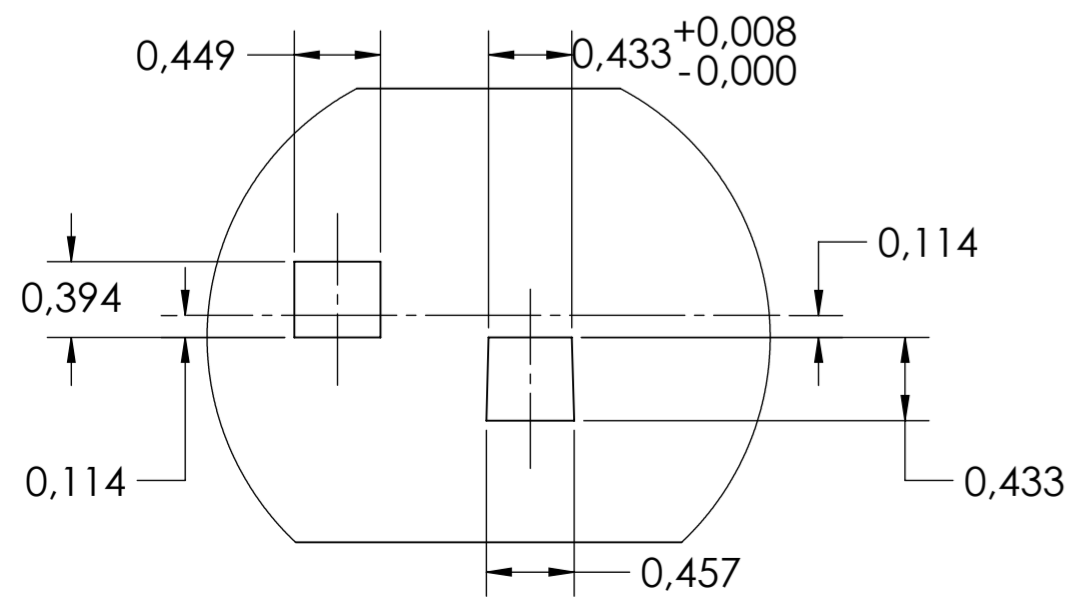
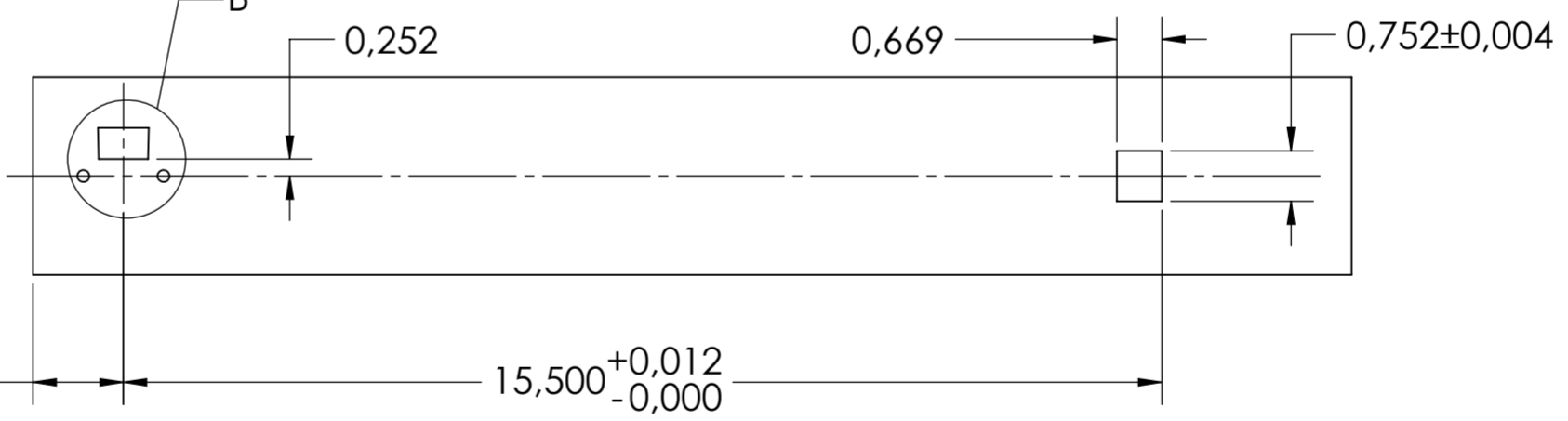
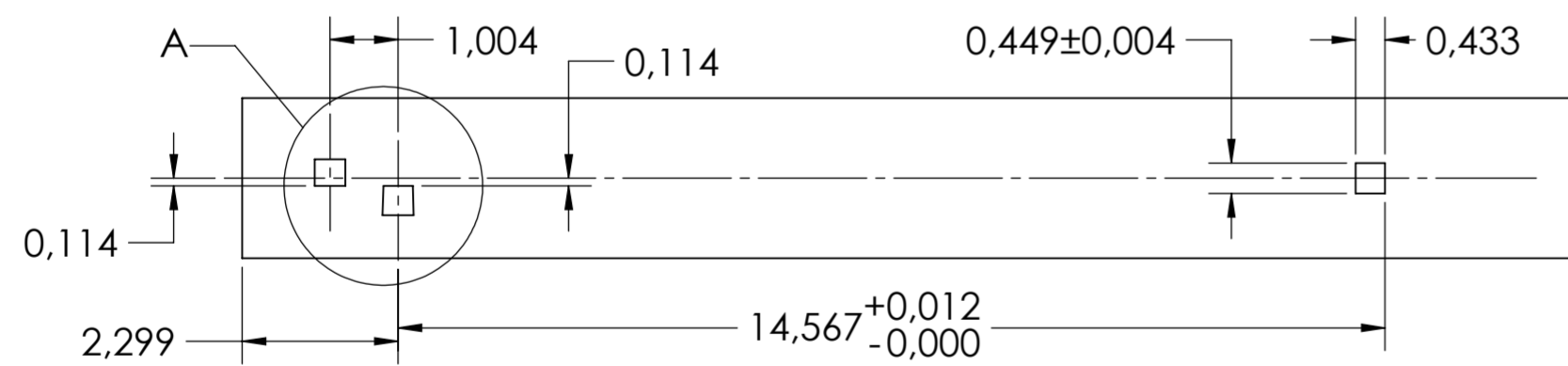
# 5210.500-GA.T106

X



## DRAWER MOUNTING CUTOUTS

## CABINET MOUNTING CUTOUTS



**PULL OUT FORCE: 24N ± 2N (5.4 lbf. ± 0.5 lbf.)**

DETAIL A  
SCALE 1:1

DETAIL B  
SCALE 1.5:1

general tolerances		DIN ISO 128-30 missing dimensions see 3D = theor. intersection	
ISO 2768-m			
This drawing remains our property and may not be multiplied neither be disclosed to third parties (§§1,3 and 5 from the copyright Act (UrhG)) covered according to DIN ISO 16016			
(k)		scale:	surface:
(l)		3:8	
(m)		date	name
(n)		drawn 14-06-2019	HB
(o)		proven 00-00-0000	00
(p)		<b>Fulterer</b>	
(q)		Fulterer AG & Co KG A-6890 Lustenau / Austria	
(r)		drawing number: <b>5210.500-GA.T106</b>	
(s)		replaces version date:	
(t)		CH-9430 St. Margrethen	
(u)	0	00-00-0000	0
ind.	changes	date	na.