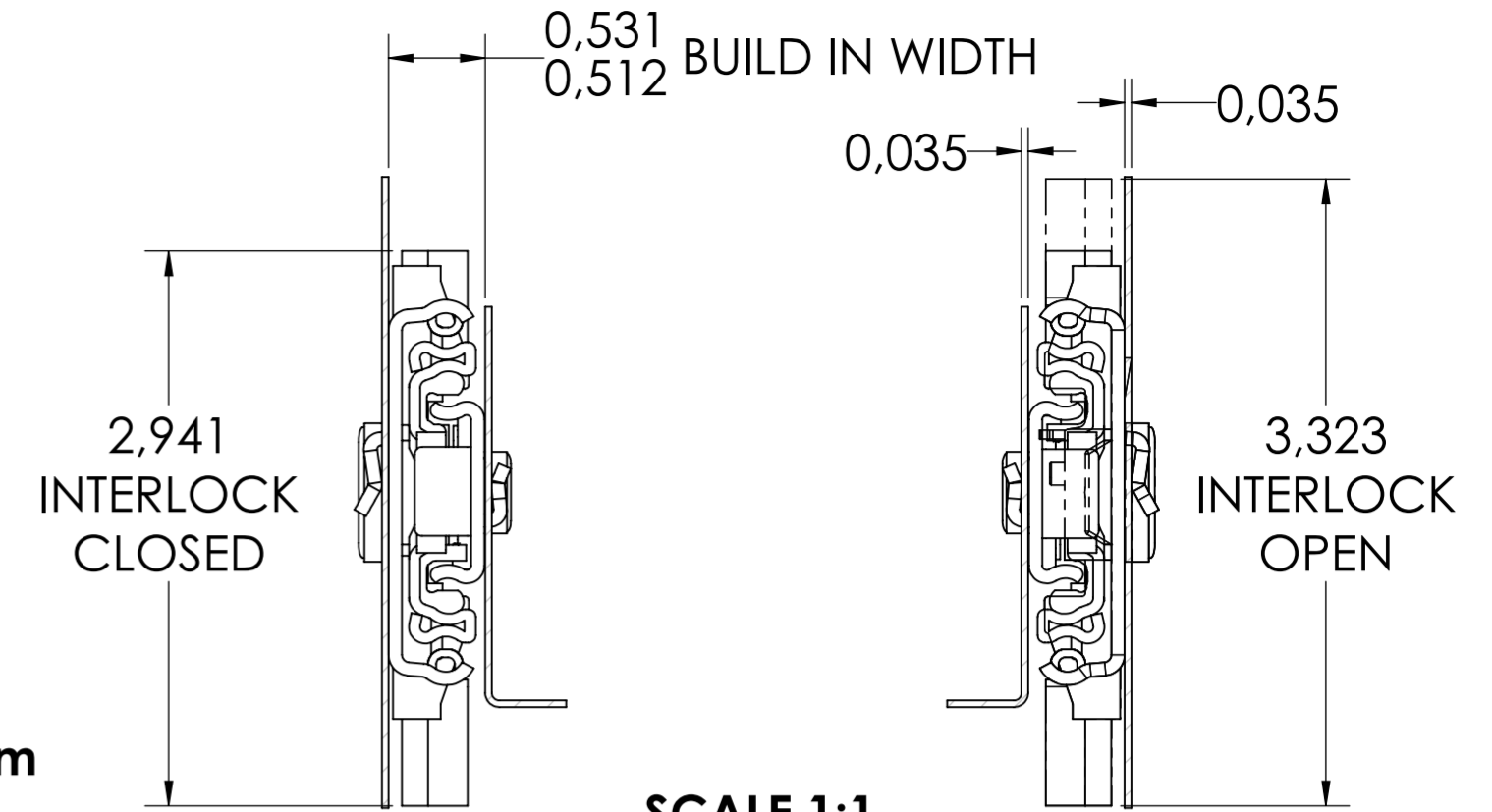


SCALE 1:4  
NOTE: 400MM LENGTH SHOWN

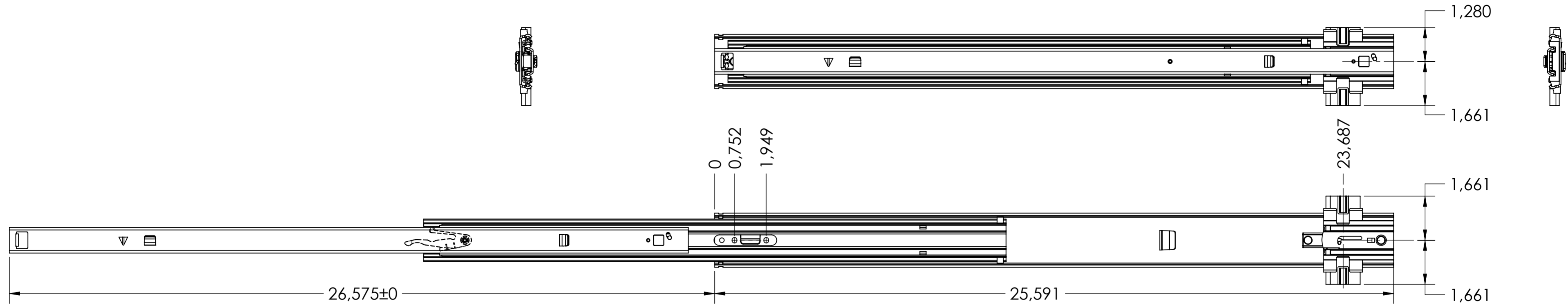
ROD LENGTH  $L^{+0}_{-0.5} = A-44$

Ø 5mm ROD  
FULTERER PART NUMBER 400246

RECOMMENDED MIN. DISTANCE "A" = 90mm

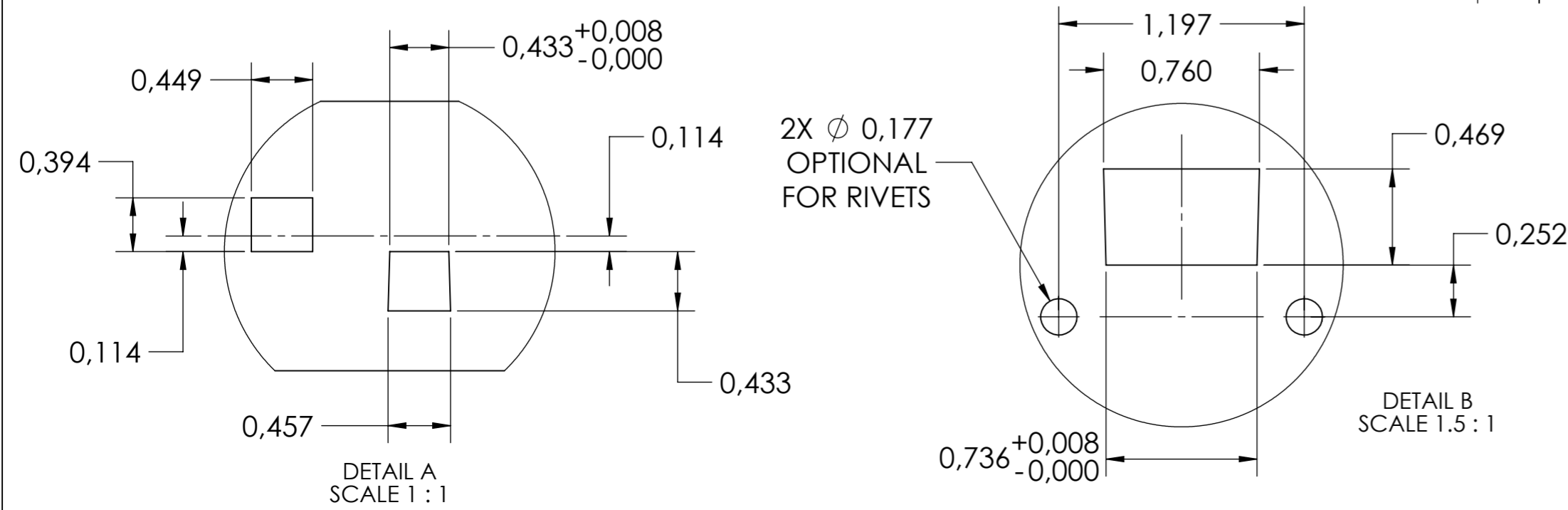
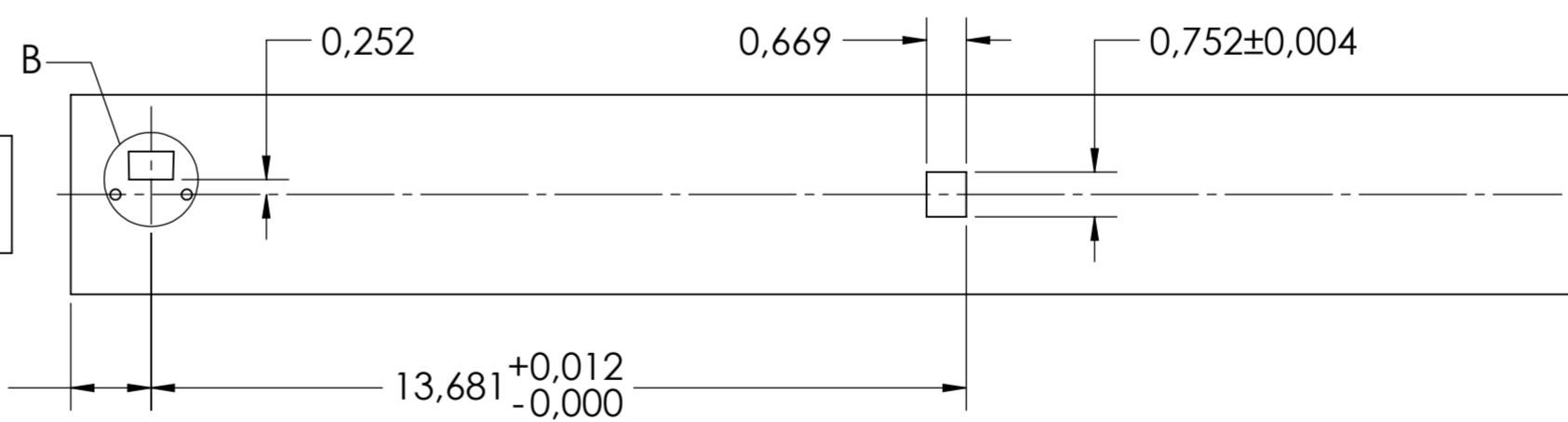
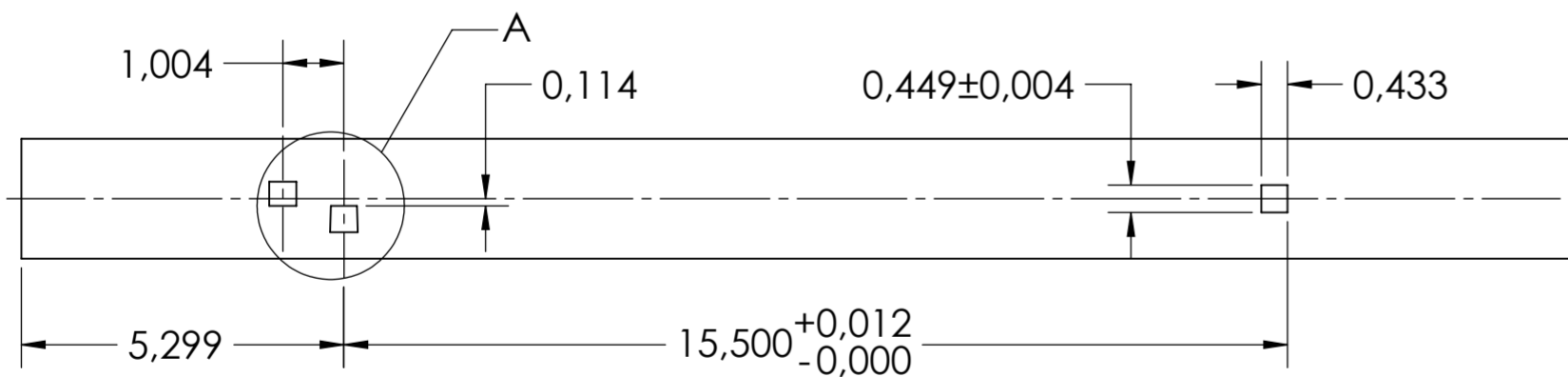


SCALE 1:1



DRAWER MOUNTING CUTOUTS

CABINET MOUNTING CUTOUTS



general tolerances		DIN ISO 128-30 missing dimensions see 3D = theor. intersection	
ISO 2768-m			
This drawing remains our property and may not be multiplied neither be disclosed to third parties (§§1,3 and 5 from the copyright Act (UrhG)) covered according to DIN ISO 16016			
scale: 1:3		surface: A2	
drawn: 29-07-2019		name: HB	
proven: 00-00-0000		00	
<b>Fulterer</b>		material, semi finished parts: STEEL (technical requirements Fulterer)	
description:		description: SIDE MOUNT OVER EXTENSION SMT (0.9) INTERLOCKING SLIDE WITH DRAWER DISCONNECT	
drawing number:		drawing number: 5219.650-GA.T119	
replaces version date:		replaces version date:	
ind.	changes	date	na.
0		00-00-0000	0