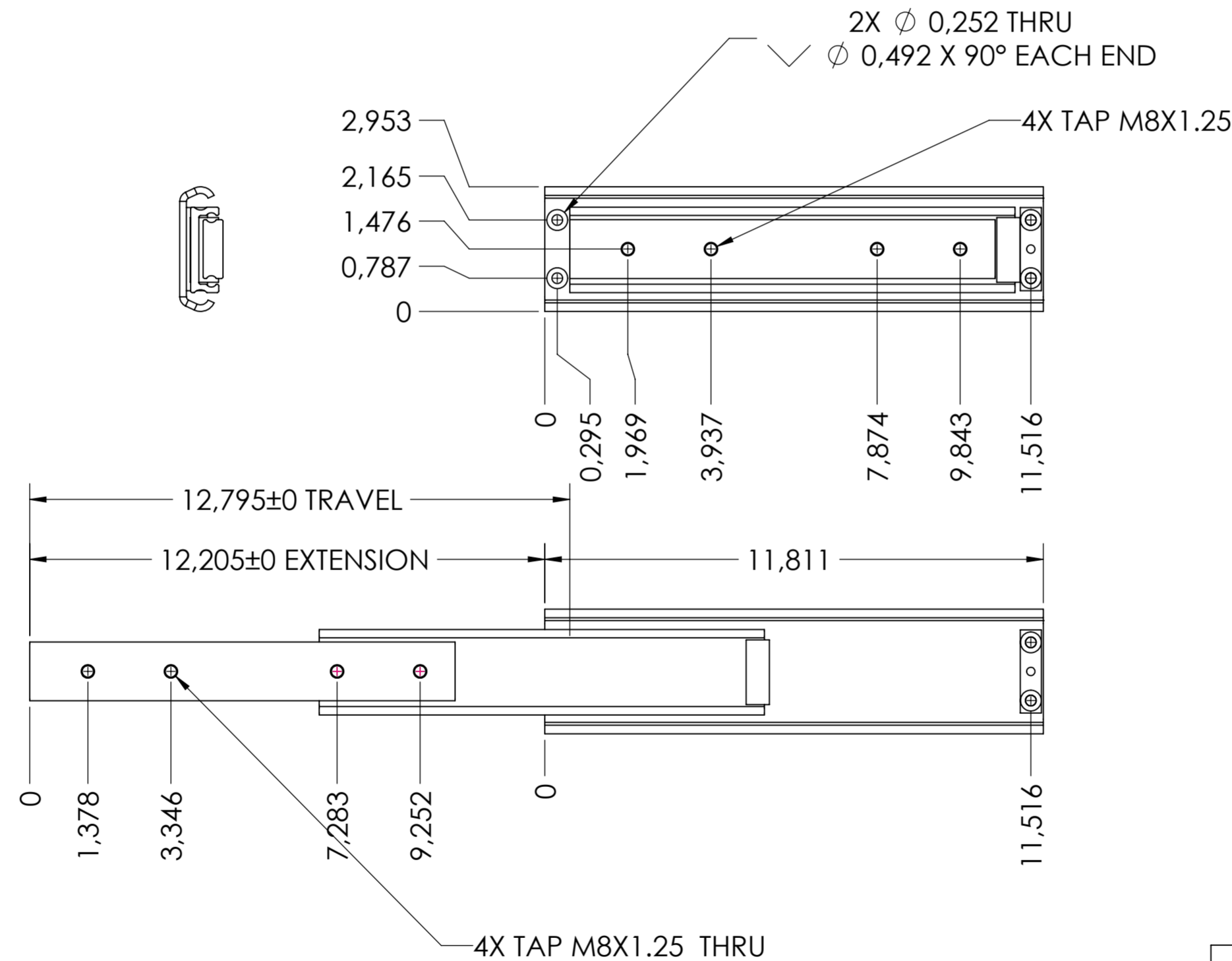


SCALE 1:1



RECOMMENDED HARDWARE:
CABINET- M6 FLATHEAD SCREWS

DRAWER- M8x1.25 SCREWS

general tolerances		DIN ISO 128-30 missing dimensions see 3D = theor. intersection	
ISO 2768-m			
This drawing remains our property and may not be multiplied neither be disclosed to third parties (§§1,3 and 5 from the copyright Act (UrhG)) covered according to DIN ISO 16016			
(k)	scale:	1:3	surface:
(l)	date	20-07-2018	name
(m)	drawn	HB	description:
(n)	proven	00-00-0000	00
(o)	Fulterer		FULL EXTENSION SIDE MOUNT SUPER HEAVY DUTY SLIDE NON-DISCONNECT
(p)			
(q)	Fulterer AG & Co KG A-6890 Lustenau / Austria		STEEL (technical requirements Fulterer)
(r)	Fulterer AG CH-9430 St. Margrethen		drawing number: 5426.300-GA.T092
(s)	changes	date	na.
(t)	0	00-00-0000	0
(u)	replaces version date:		