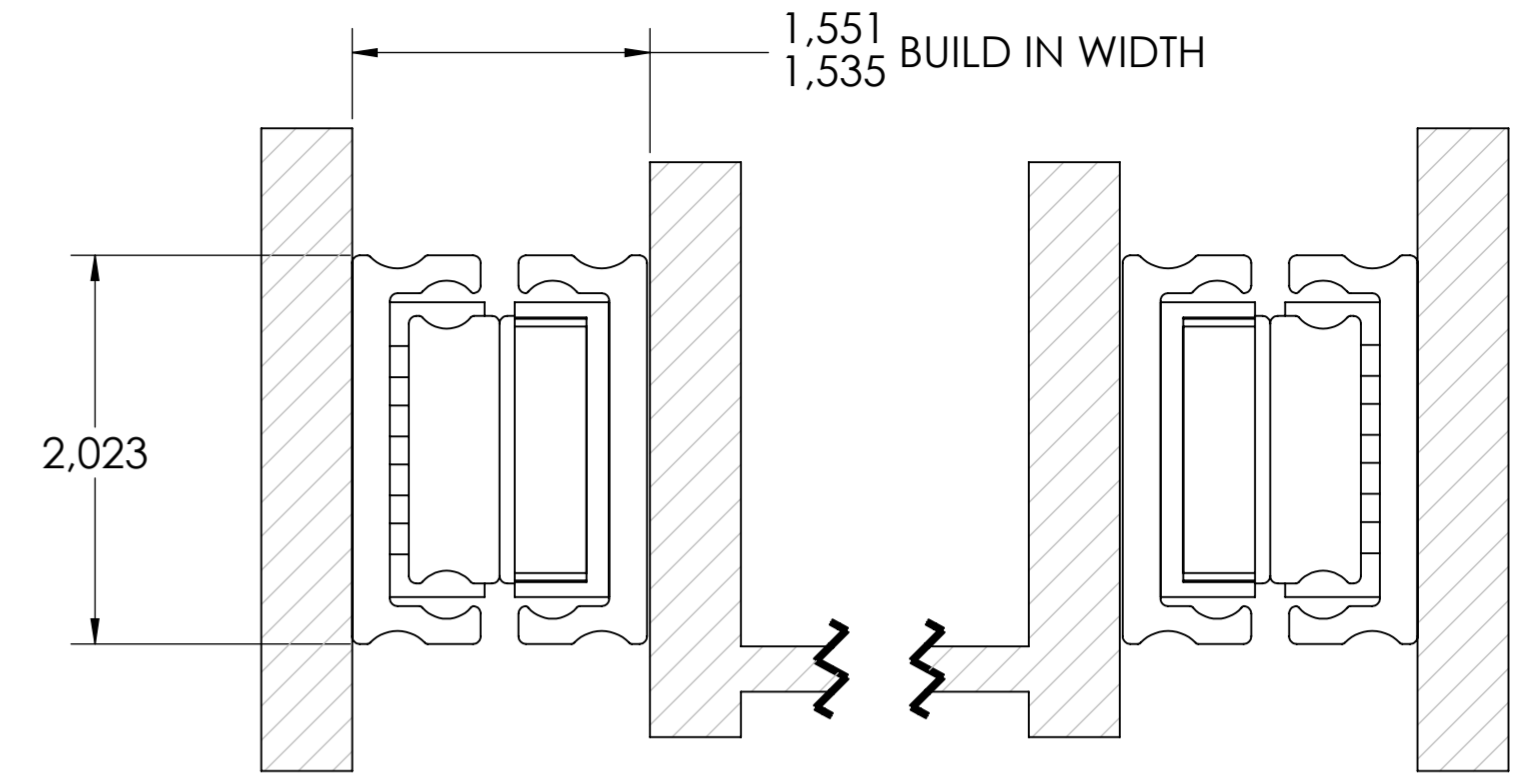
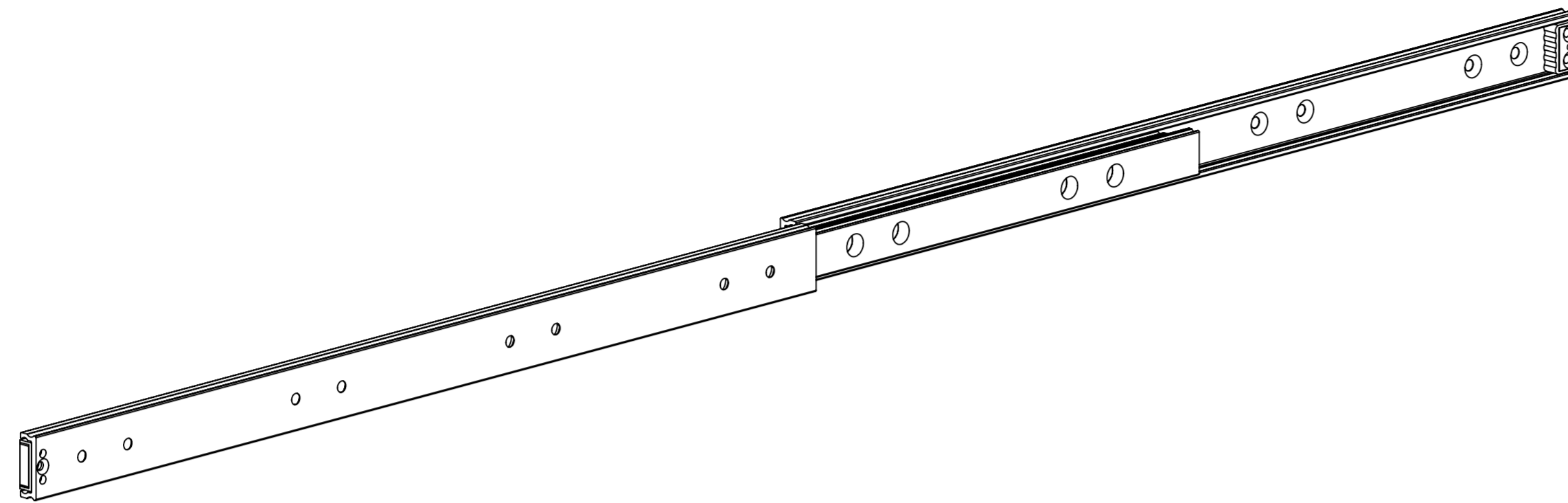
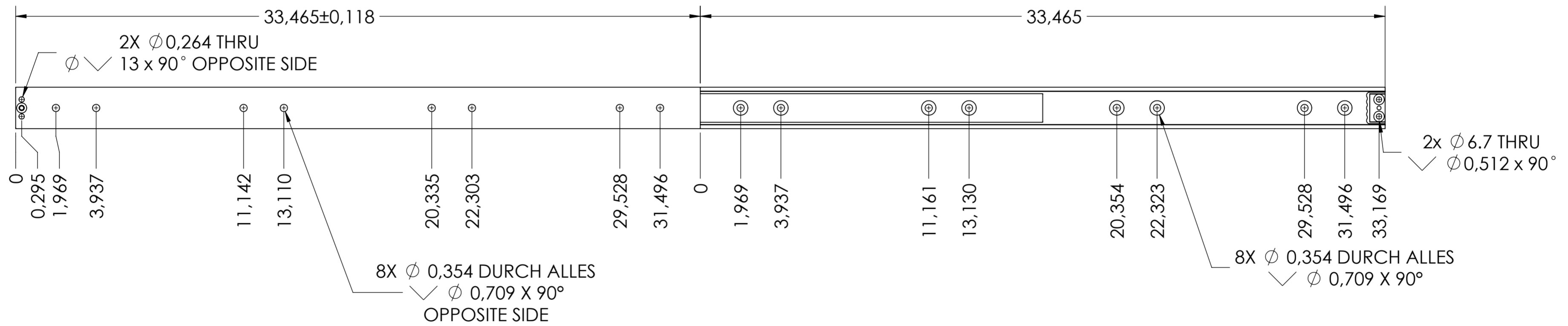
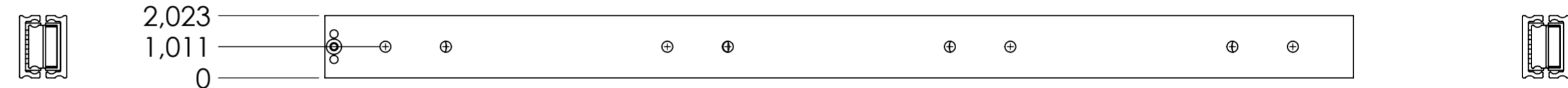


5439.850-GA.T090

X



SCALE 1:1



RECOMMENDED HARDWARE:
CABINET- M8 OR M6 FLATHEAD SCREWS
DRAWER- M8 OR M6 FLATHEAD SCREWS

general tolerances		DIN ISO 128-30 missing dimensions see 3D = theor. intersection	
ISO 2768-m			
This drawing remains our property and may not be multiplied neither be disclosed to third parties (§§1,3 and 5 from the copyright Act (UrhG)) covered according to DIN ISO 16016			
(k)	scale:	1:4	surface:
(l)	date	17-12-2018	name
(m)	drawn	HB	description:
(n)	proven	00-00-0000	00
(o)	Fulterer		FULL EXTENSION SIDE MOUNT
(p)			SUPER HEAVY DUTY SLIDE
(q)	Fulterer AG & Co KG		NON-DISCONNECT
(r)	A-6890 Lustenau / Austria		drawing number:
(s)	Fulterer AG		5439.850-GA.T090
(t)	CH-9430 St. Margrethen		replaces version date:
(u)	ind.	changes	date
(v)	na.	00-00-0000	0