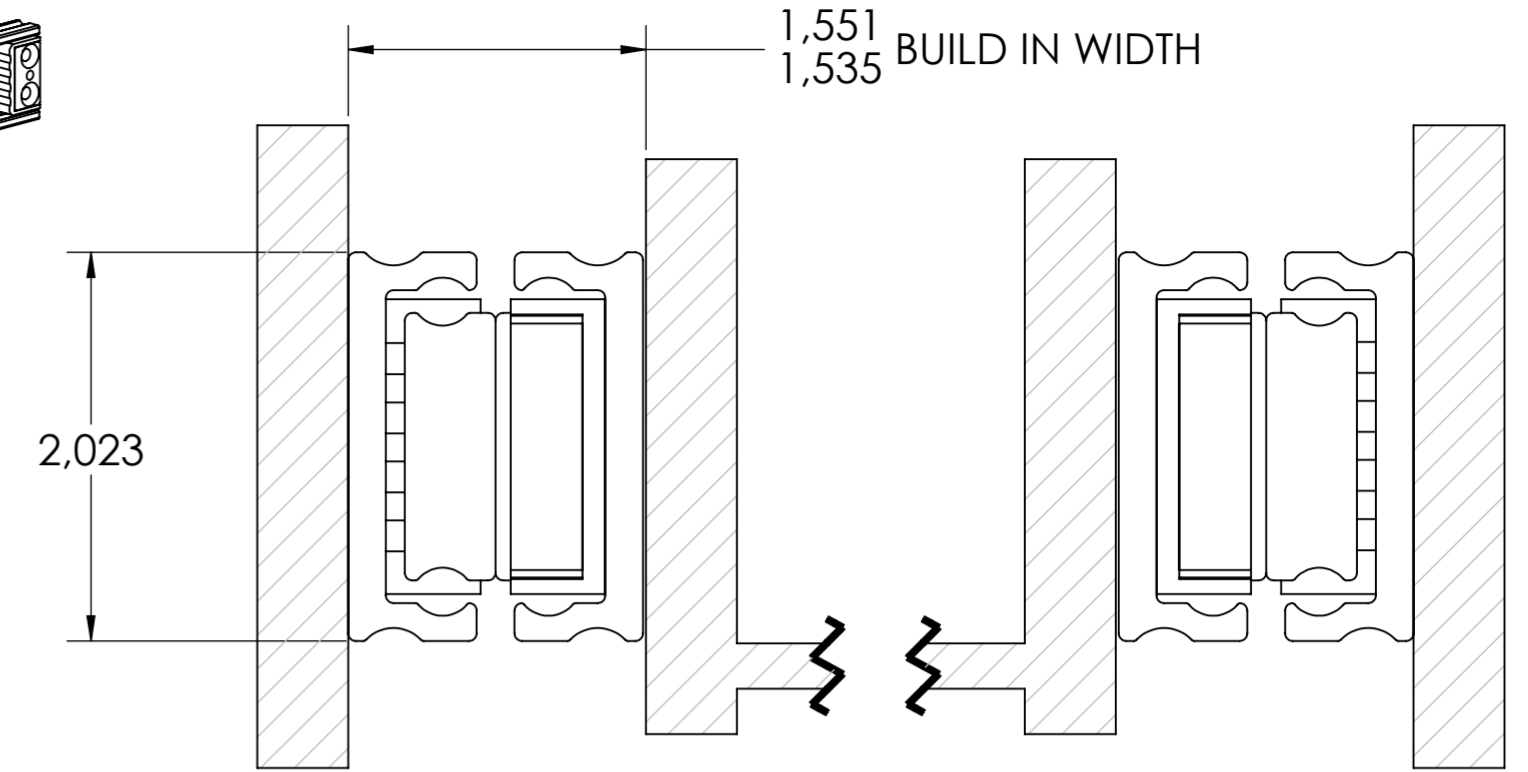
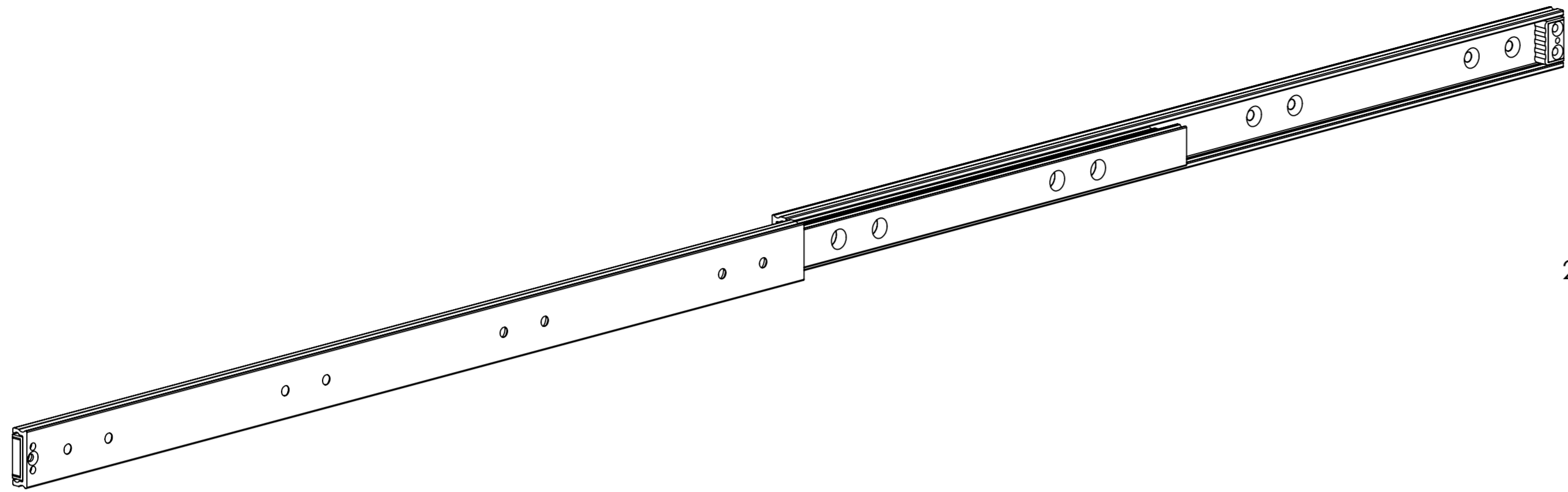
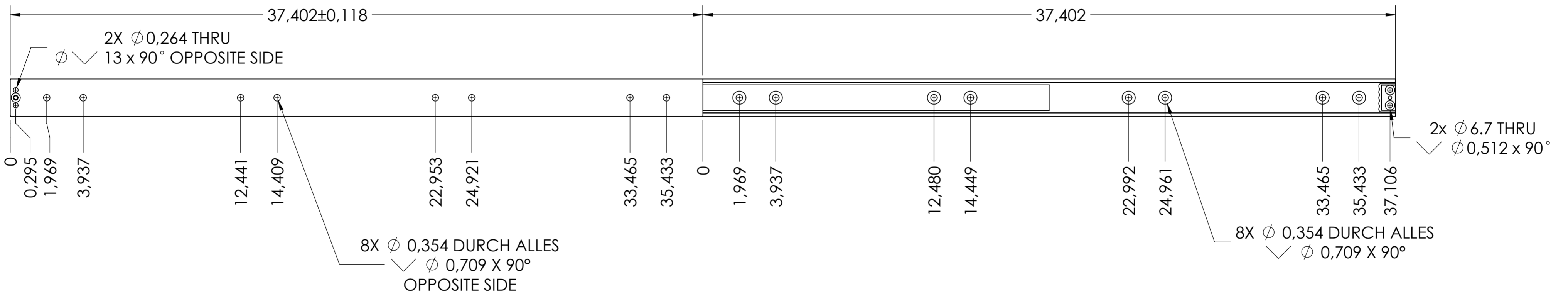
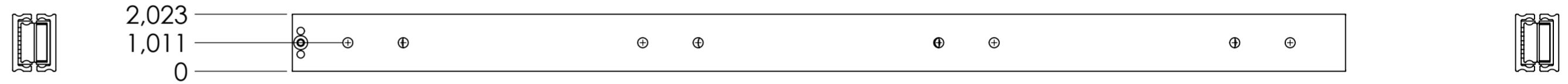


# 5439.950-GA.T090

X



SCALE 1:1



RECOMMENDED HARDWARE:  
 CABINET- M8 OR M6 FLATHEAD SCREWS  
 DRAWER- M8 OR M6 FLATHEAD SCREWS

general tolerances		DIN ISO 128-30 missing dimensions see 3D = theor. intersection	
ISO 2768-m			
This drawing remains our property and may not be multiplied neither be disclosed to third parties (§§1,3 and 5 from the copyright Act (UrhG)) covered according to DIN ISO 16016			
(k)	scale:	1:4	surface:
(l)	date:	17-12-2018	name:
(m)	drawn:	HB	description:
(n)	proven:	00-00-0000	00
(o)	<b>Fulterer</b>		FULL EXTENSION SIDE MOUNT
(p)			SUPER HEAVY DUTY SLIDE
(q)	Fulterer AG & Co KG		drawing number:
(r)	A-6890 Lustenau / Austria		<b>5439.950-GA.T090</b>
(s)	Fulterer AG		replaces version date:
(t)	CH-9430 St. Margrethen		
(u)	ind. changes	date	na.