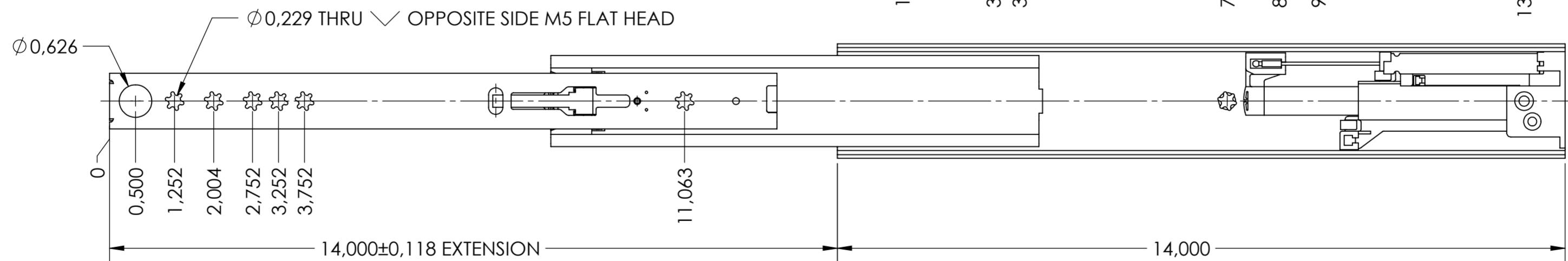
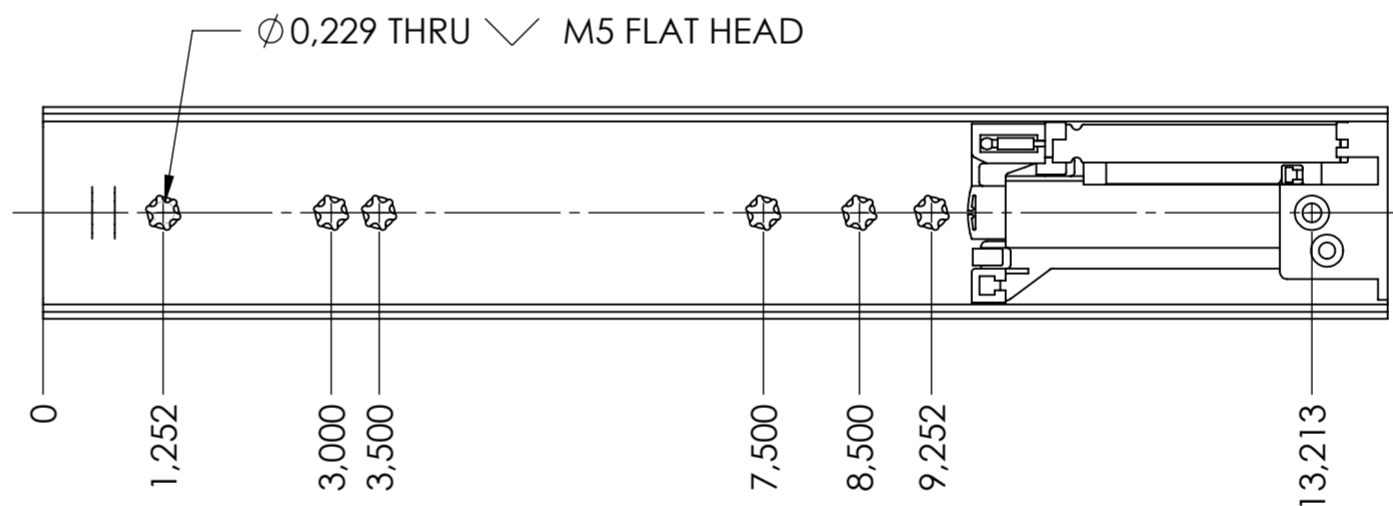


**CABINET MOUNTING HOLES**



**RECOMMENDED HARDWARE:**

CABINET- M5 FLAT HEAD SCREW #10 FLAT HEAD SCREW

DRAWER- M5 FLAT HEAD SCREW OR #10 FLAT HEAD SCREW

general tolerances		DIN ISO 128-30 missing dimensions see 3D = theor. intersection	
ISO 2768-m			
This drawing remains our property and may not be multiplied neither be disclosed to third parties (§§1,3 and 5 from the copyright Act (UrhG)) covered according to DIN ISO 16016			
(k)		scale:	material, semi finished parts:
(l)		1:2	STEEL
(m)		date	(technical requirements Fulterer)
(n)		drawn 17-02-2021	name MW
(o)		proven 00-00-0000	00
(p)		<b>Fulterer</b>	
(q)			
(r)		description:	
(s)		FULL EXTENSION SIDE MOUNT SOFT CLOSE DRAWER SLIDE WITH DRAWER DISCONNECT	
(t)		drawing number:	
(u)		<b>5609.14-GA.T057</b>	
(v)		replaces version date:	
(a)	UPDATE TITLE BLOCK	19-03-2019	HB
(b)	changes	date	na.
(c)			
(d)			
(e)			
(f)			
(g)			
(h)			
(i)			
(j)			
(k)			
(l)			
(m)			
(n)			
(o)			
(p)			
(q)			
(r)			
(s)			
(t)			
(u)			
(v)			
(w)			
(x)			
(y)			
(z)			