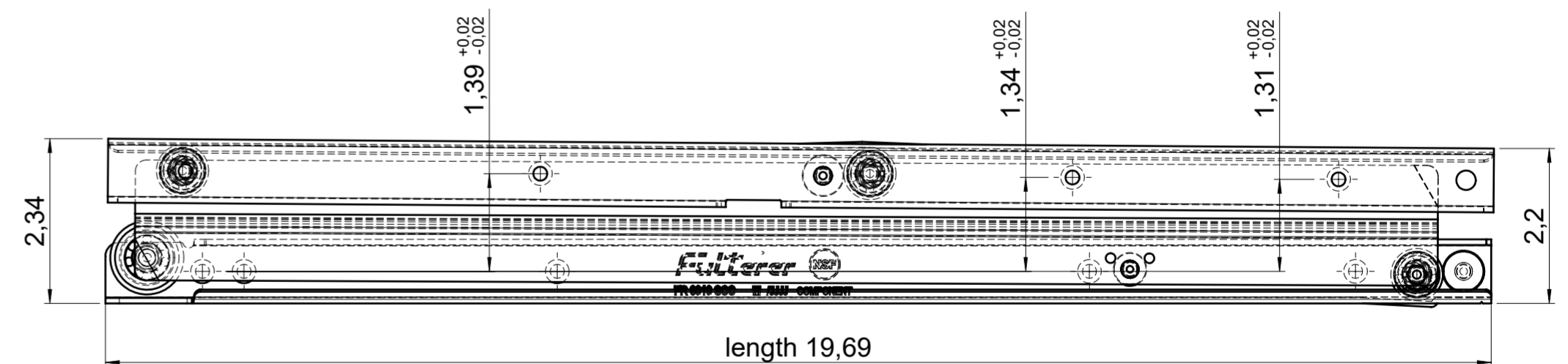
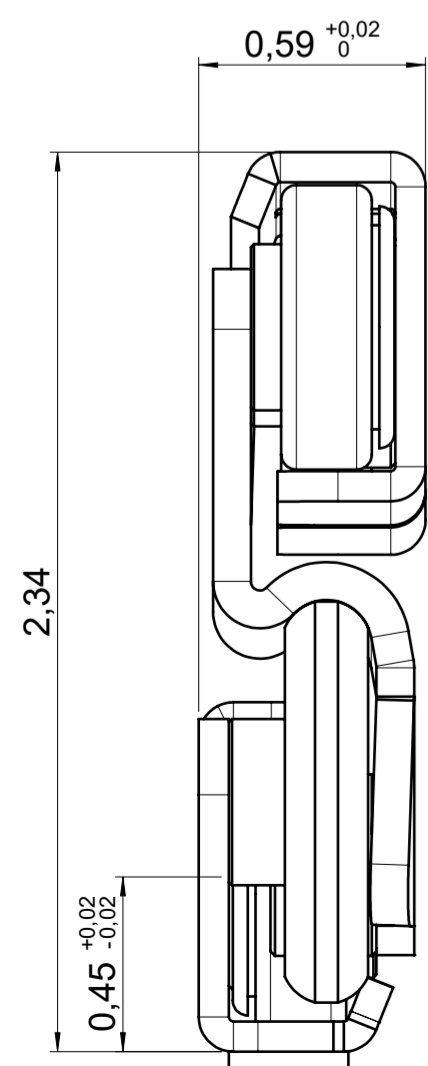
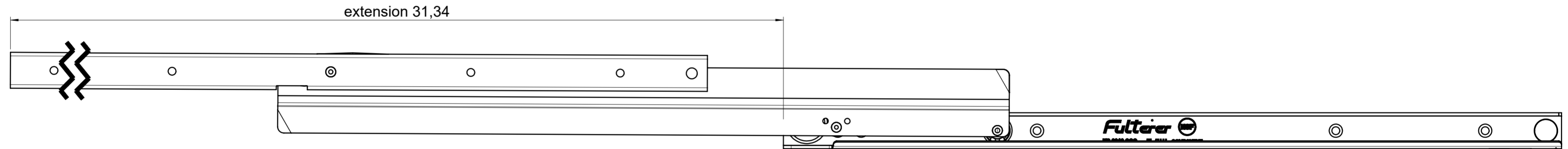
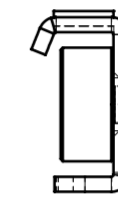
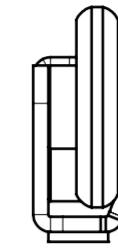
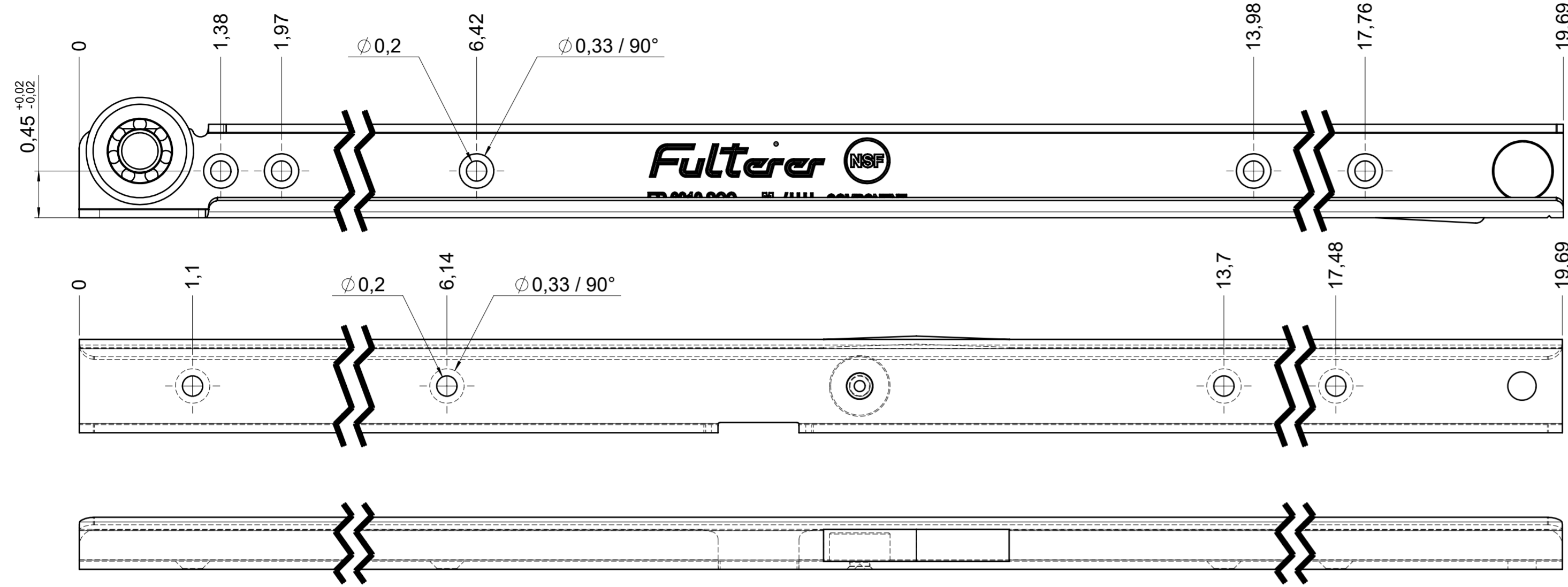


# CS# 6010.500-GA.WARM

drawn left (right mirrorimage)



**final approval**

customer name:

signed by:

date:

**all dimensions in inch**

⊕ DIN ISO 128-30  
missing dimensions see 3D  
⊖ = theor. intersection

This drawing remains our property and may not be multiplied neither be disclosed to third parties (§§1,3 and 5 from the copyright Act (UrhG)) covered according to DIN ISO 16016

(k) (l) (i) (h) (g) (f) (e) (d) (c) (b) (a)	scale:	1:1	surface:	material, semi finished parts:	A2
	drawn	02-01-2023	name	CS	(technical requirements Fulterer)
	proven	01-02-2023	pr	description:	
					FR 6010 / 50 CS EN (inch) over-extension drawerside / side mount
ind.	changes	date	na.	drawing number:	CS# 6010.500-GA.WARM
				replaces version date:	