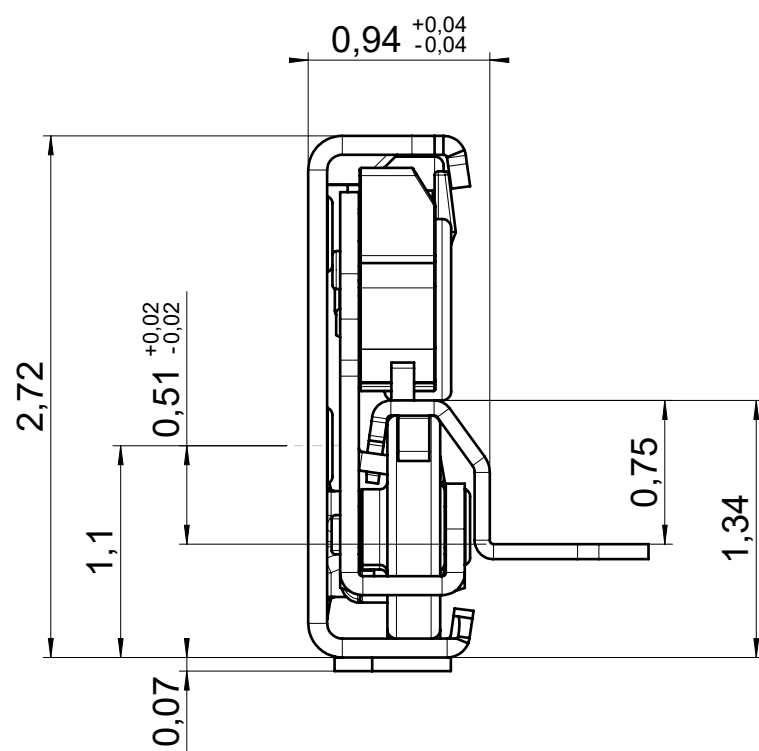
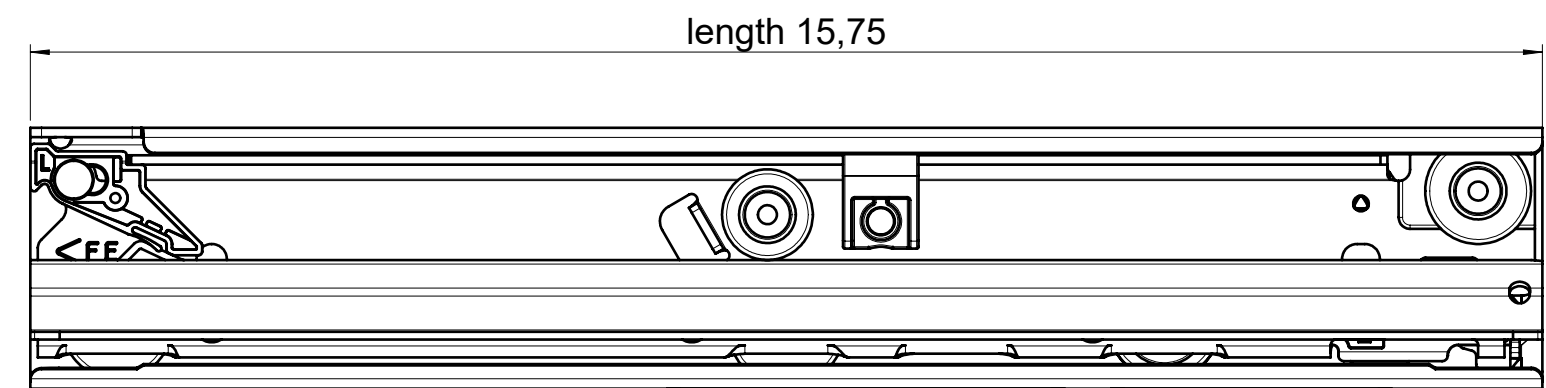
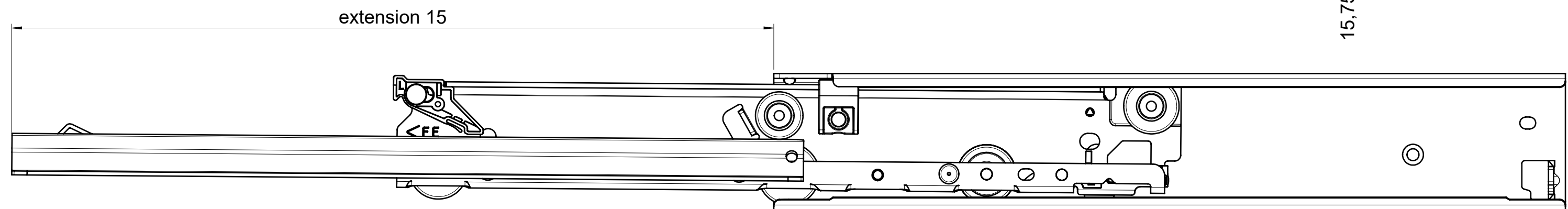
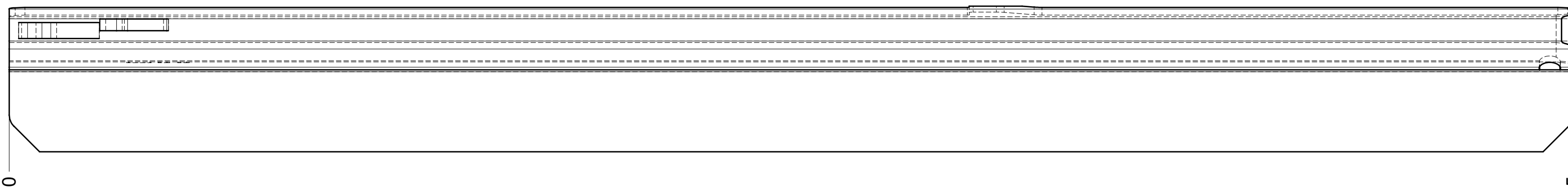
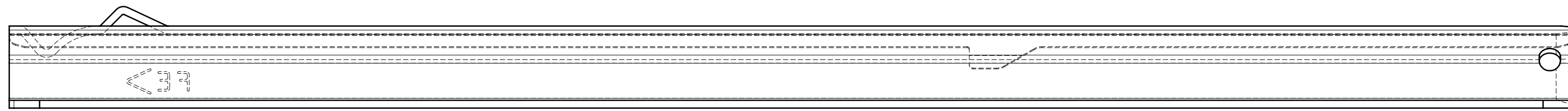
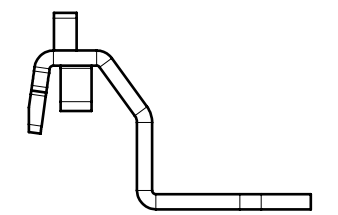
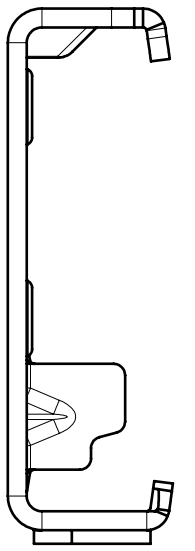
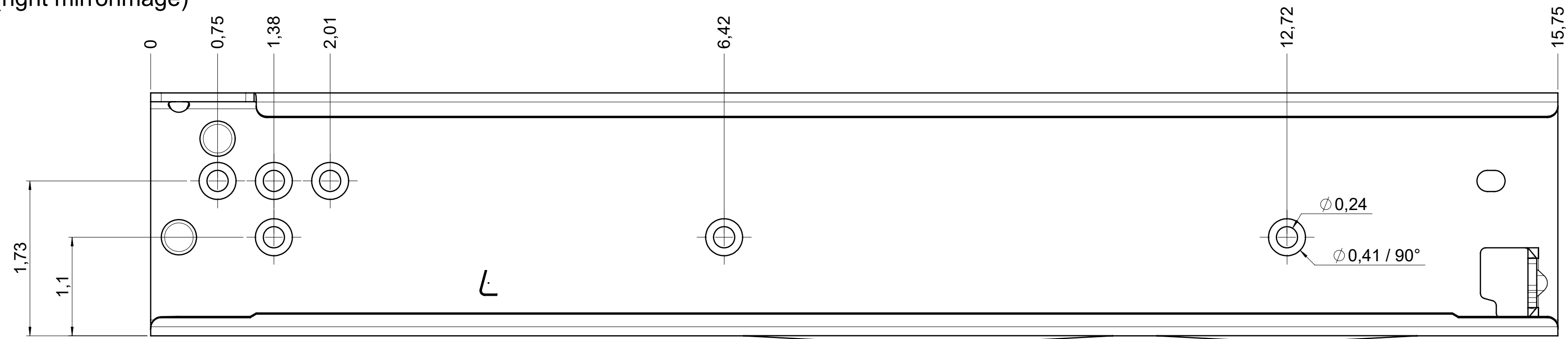


# CS# 7100.400-GAV.L095

drawn left (right mirrorimage)



**final approval**

customer name:

signed by:

date:

**all dimensions in inch**

DIN ISO 128-30  
missing dimensions see 3D  
= theor. intersection

This drawing remains our property and may not be multiplied neither be disclosed to third parties (§§1,3 and 5 from the copyright Act (UrhG)) covered according to DIN ISO 16016				scale: 1:1	surface:	material, semi finished parts: CS (technical requirements Fulterer)	
(k)				date	name	description: FR 7100 / 40 CS EN (inch) progressive-action full-extension drawerslide / bottom mount HR	
(l)				drawn 14-12-2022	BM		
(m)				proven 00-00-0000	00		
(n)				<b>Fulterer</b>			
(o)				Fulterer AG & Co KG A-6890 Lustenau / Austria		drawing number: <b>CS# 7100.400-GAV.L095</b>	
(p)				Fulterer AG CH-9430 St. Margrethen			
(q)				changes	date	na.	replaces version date: