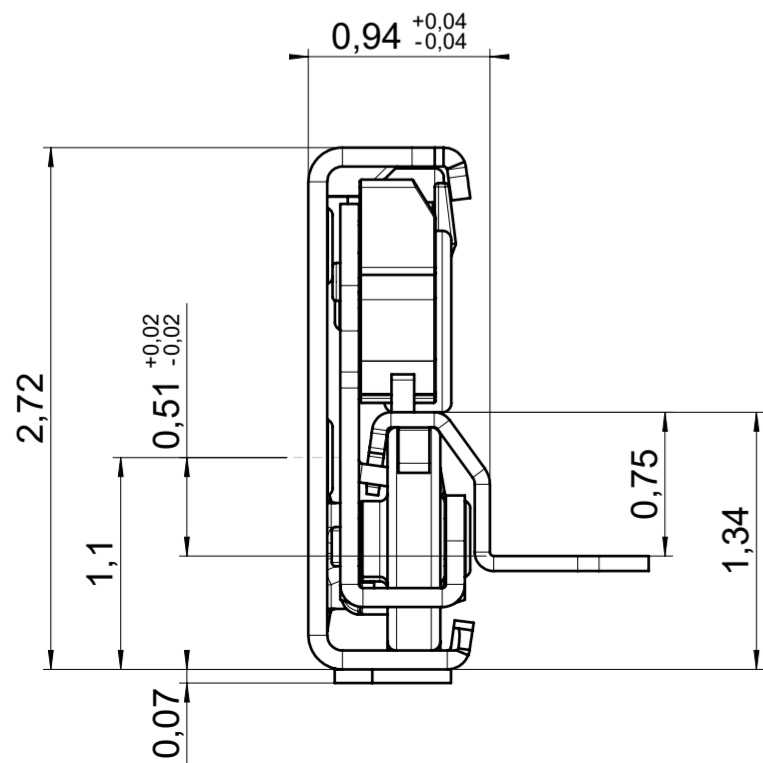
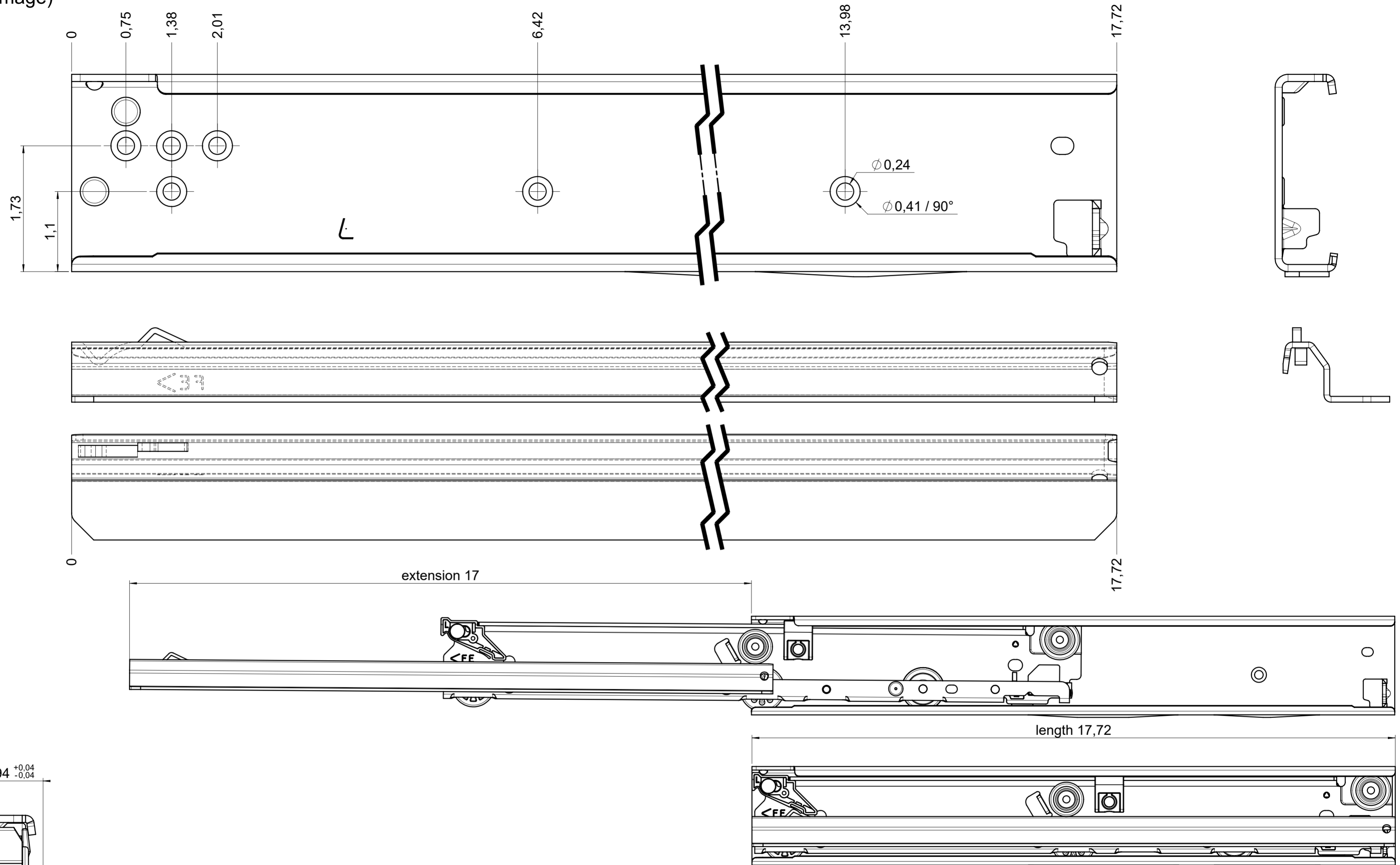


drawn left (right mirrorimage)



**final approval**

customer name:

signed by:

date:

**all dimensions in inch**

DIN ISO 128-30  
missing dimensions see 3D  
= theor. intersection

This drawing remains our property and may not be multiplied neither be disclosed to third parties (§§1,3 and 5 from the copyright Act (UrhG)) covered according to DIN ISO 16016				scale: 1:1	surface:	material, semi finished parts: CS (technical requirements Fulterer)	A2
(k)				date	name	description: FR 7100 / 45 CS EN (inch) progressive-action full-extension drawerslide / bottom mount	drawing number: <b>CS# 7100.450-GA.0000</b> replaces version date:
(l)			drawn 14-12-2022	BM			
(i)			proven 00-00-0000	00			
(h)			<b>Fulterer</b>		Fulterer AG & Co KG A-6890 Lustenau / Austria Fulterer AG CH-9430 St. Margrethen		
(g)							
(f)			changes	date	na.		
(e)							
(d)							
(c)							
(b)							
(a)							