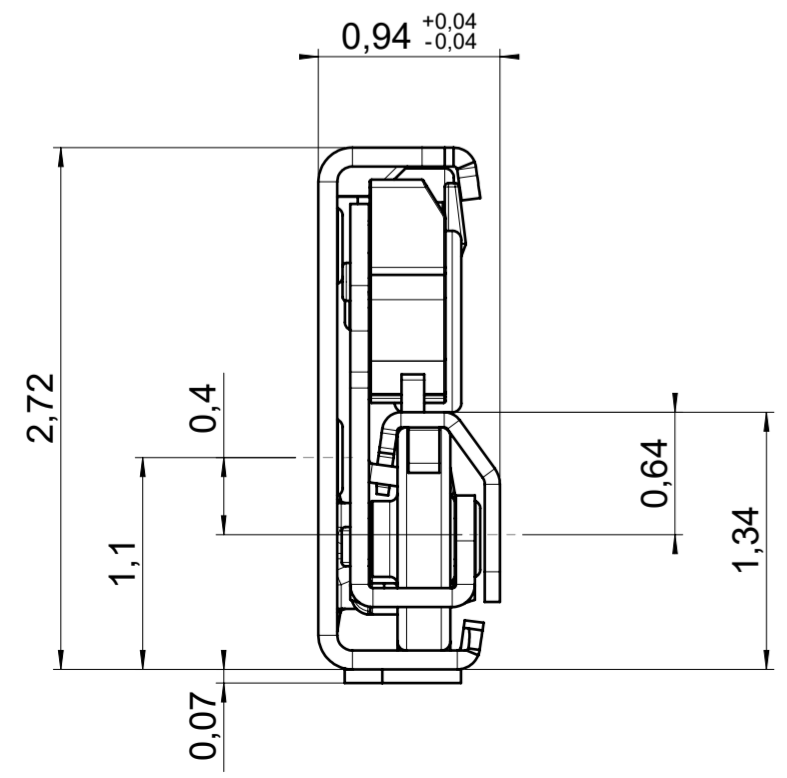
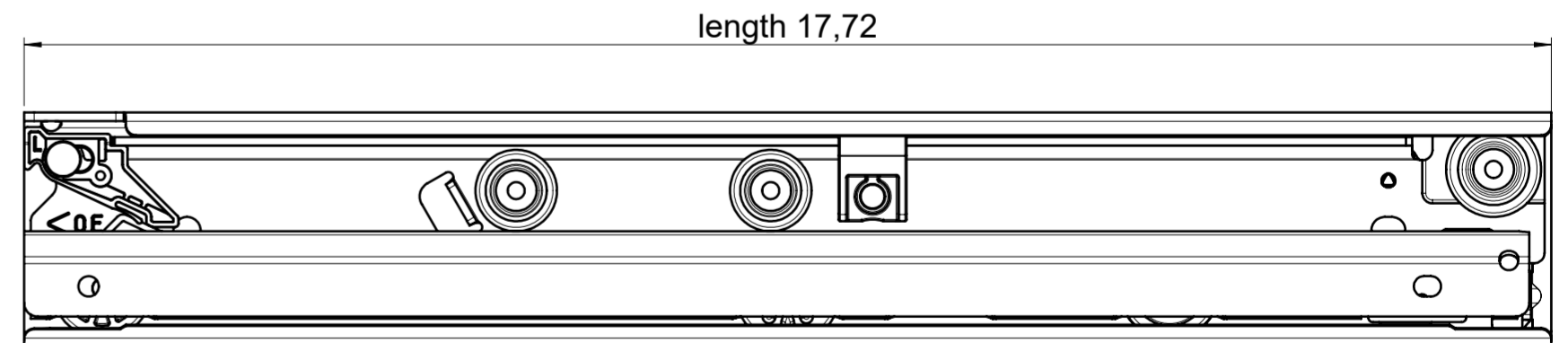
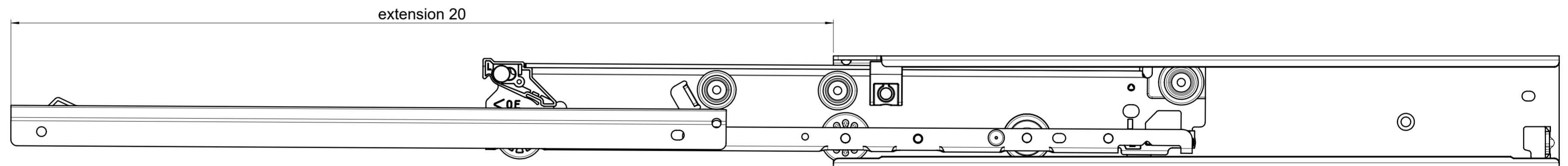
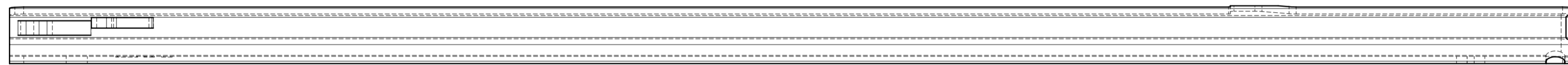
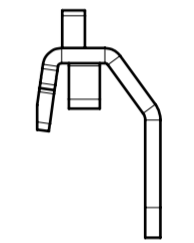
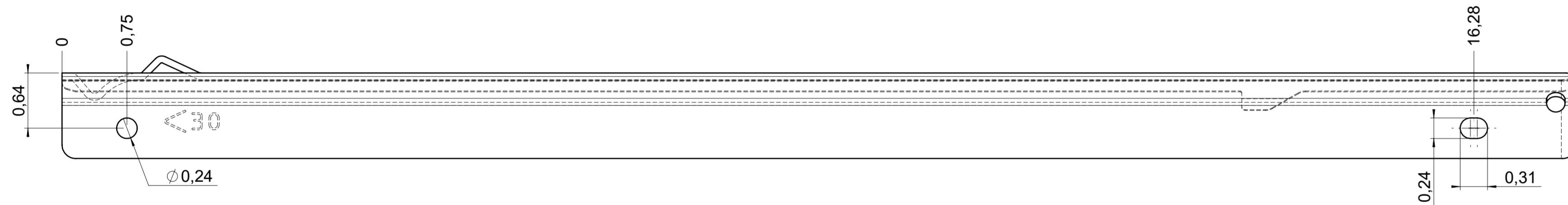
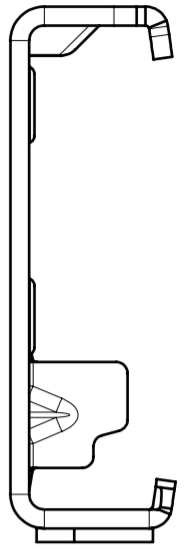
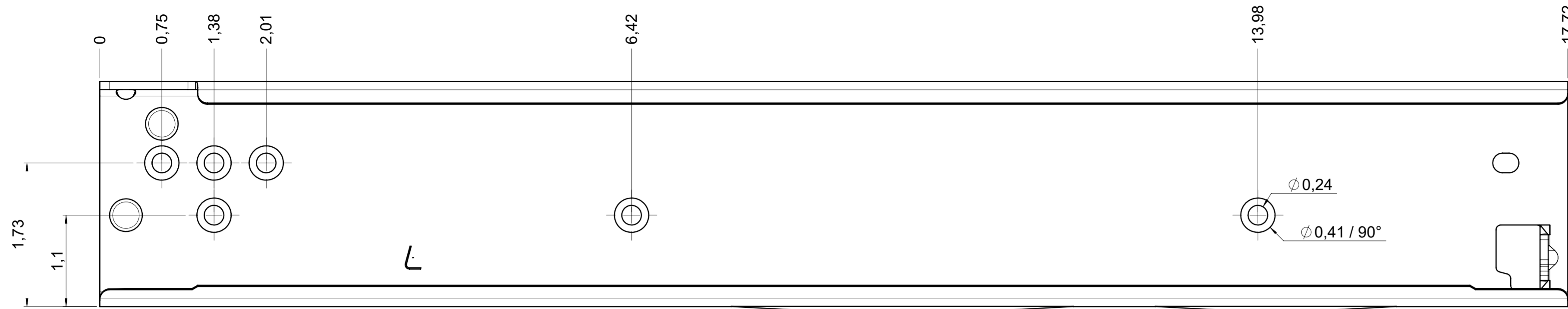


# CS# 7101.450-GAÜ.0000

drawn left (right mirrorimage)



**final approval**

customer name:

signed by:

date:

|  |         |            |      |  |  |
|--|---------|------------|------|--|--|
| <b>all dimensions in inch</b>  |         |            |      | DIN ISO 128-30<br>missing dimensions see 3D<br>= theor. intersection |  |
| This drawing remains our property and may not be multiplied neither be disclosed to third parties (§§1,3 and 5 from the copyright Act (UrhG)) covered according to DIN ISO 16016 |         |            |      |  |  |
| (k)<br>(l)<br>(i)<br>(h)<br>(g)<br>(f)<br>(e)<br>(d)<br>(c)<br>(b)<br>(a)  | scale:  | 1:1        |      | surface:   | material, semi finished parts: <b>A2</b> |
|  | drawn   | date       | name | CS (technical requirements Fulterer)                                 |  |
|  | proven  | 05-01-2023 | BM   | description:   |  |
|  |         | 00-00-0000 | 00   | FR 7101 / 45 CS EN (inch)  |  |
|  |         |            |      | progressive-action over-extension drawerslide / side mount           |  |
|  |         |            |      | drawing number:  |  |
| Fulterer AG & Co KG<br>A-6890 Lustenau / Austria<br>Fulterer AG<br>CH-9430 St. Margrethen  |         |            |      | <b>CS# 7101.450-GAÜ.0000</b><br>replaces version date:               |  |
| ind.   | changes | date       | na.  |  |  |