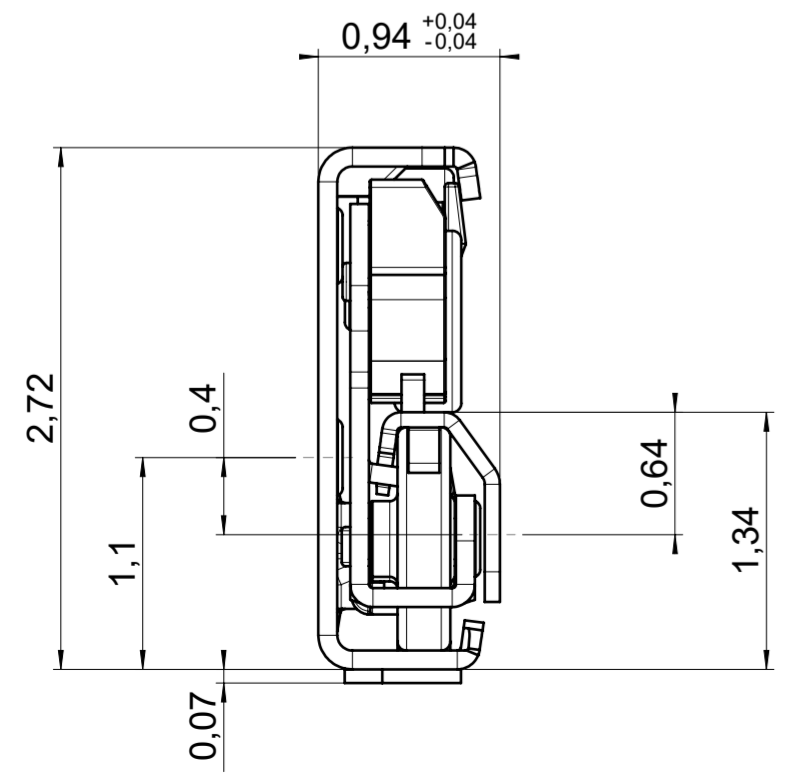
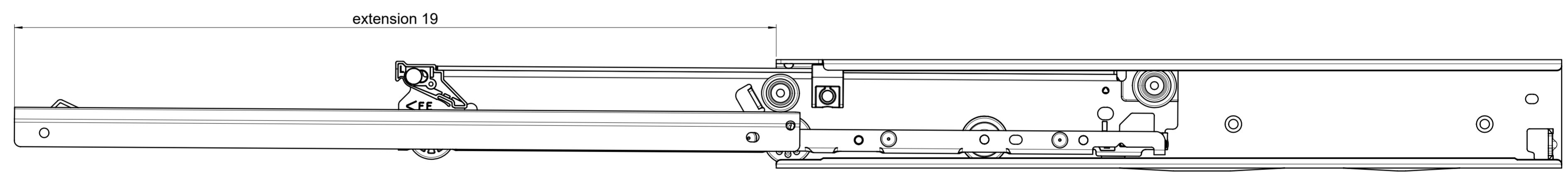
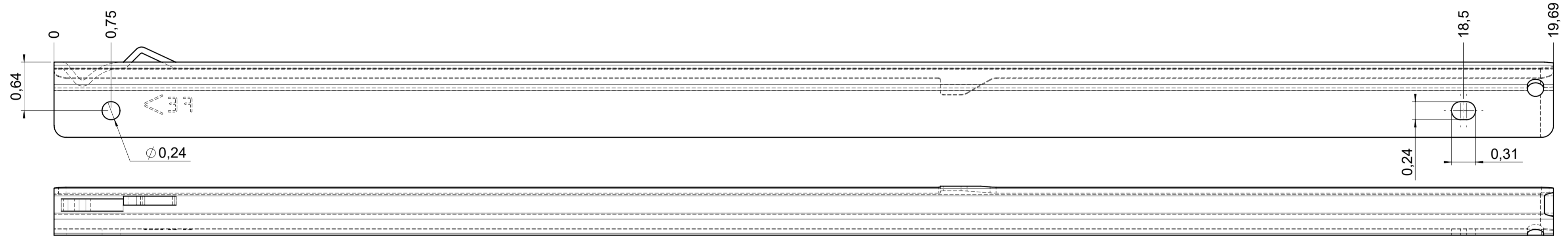
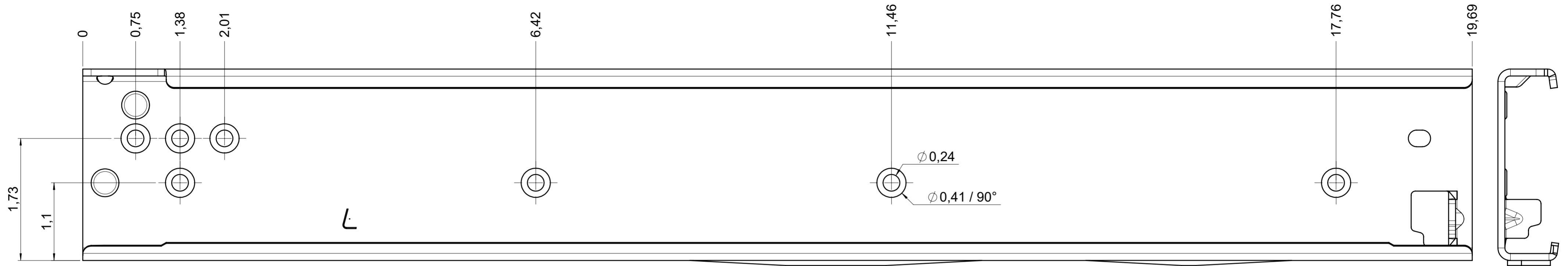


drawn left (right mirrorimage)



**final approval**

customer name:

signed by:

date:

<b>all dimensions in inch</b>				DIN ISO 128-30 missing dimensions see 3D = theor. intersection	
This drawing remains our property and may not be multiplied neither be disclosed to third parties (§§1,3 and 5 from the copyright Act (UrhG)) covered according to DIN ISO 16016					
(k) (l) (m) (n) (o) (p) (q) (r) (s) (t)	scale:	1:1		surface:	material, semi finished parts: CS (technical requirements Fulterer)
	drawn	date	name	description: FR 7101 / 50 CS EN (inch) progressive-action full-extension drawerslide / side mount	
	proven	05-01-2023	BM		drawing number: <b>CS# 7101.500-GA.0000</b> replaces version date:
		00-00-0000	00		
				Fulterer AG & Co KG A-6890 Lustenau / Austria Fulterer AG CH-9430 St. Margrethen	
ind.	changes	date	na.		