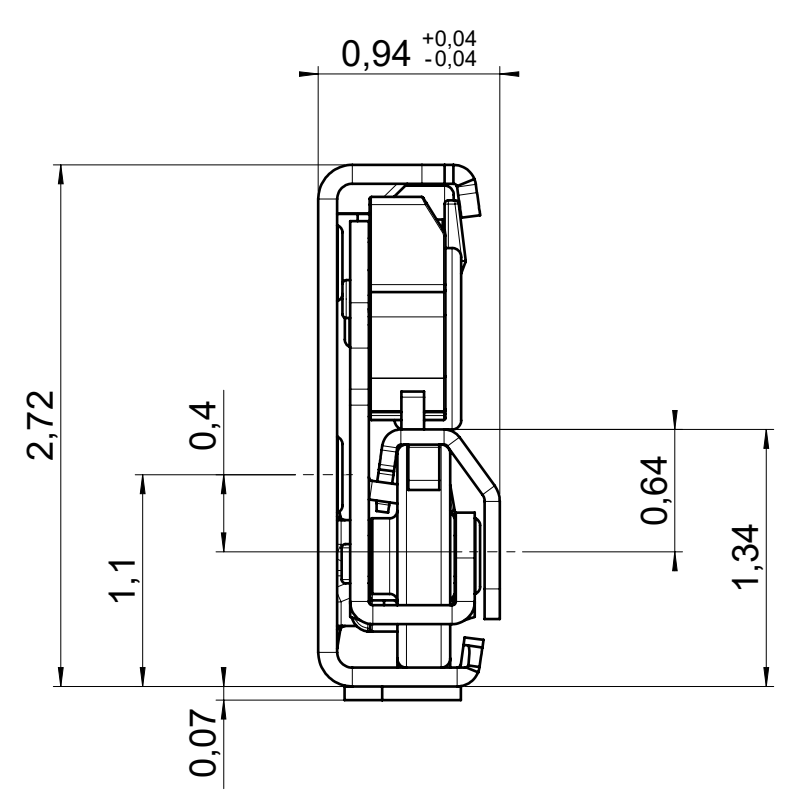
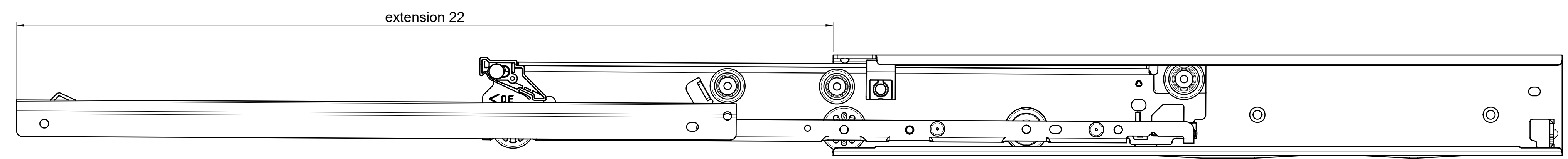
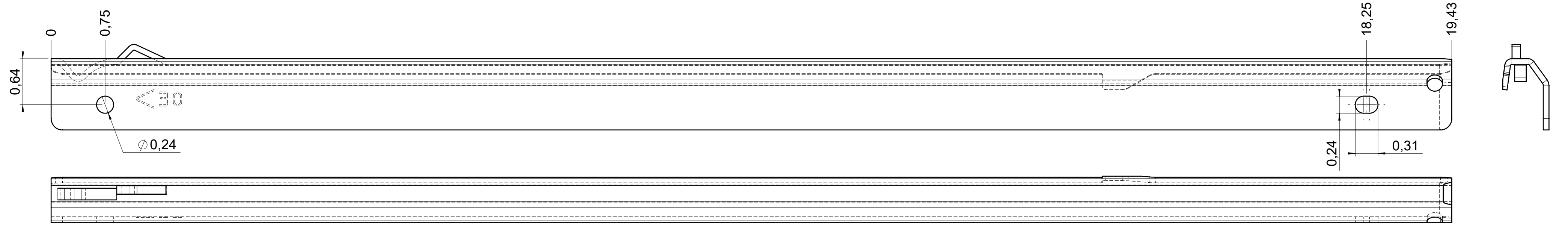
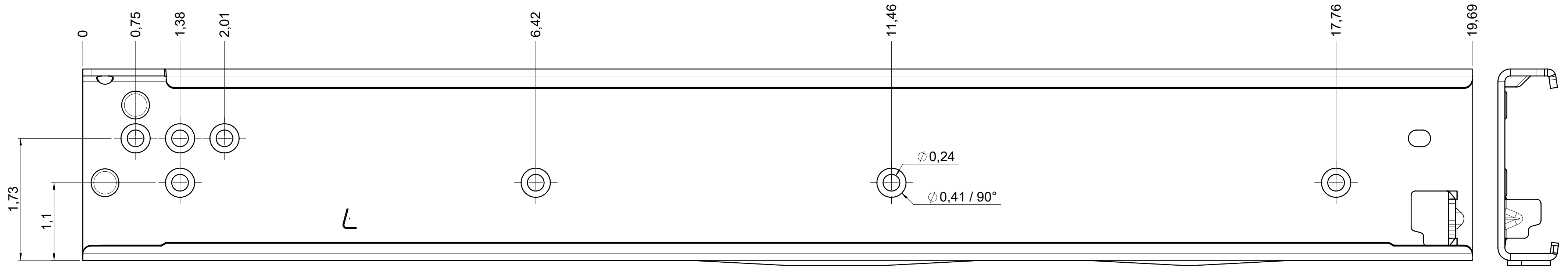


CS# 7101.500-GAÜ.0000

drawn left (right mirrorimage)



final approval

customer name:

signed by:

date:

all dimensions in inch			DIN ISO 128-30 missing dimensions see 3D = theor. intersection	
This drawing remains our property and may not be multiplied neither be disclosed to third parties (§§1,3 and 5 from the copyright Act (UrhG)) covered according to DIN ISO 16016				
(k) (l) (i) (h) (g) (f) (e) (d) (c) (b) (a)	scale:	1:1	surface:	material, semi finished parts: CS (technical requirements Fulterer)
	drawn	05-01-2023	name	BM
	proven	00-00-0000	description:	FR 7101 / 50 CS EN (inch) progressive-action over-extension drawerslide / side mount
			drawing number:	CS# 7101.500-GAÜ.0000
Fulterer AG & Co KG A-6890 Lustenau / Austria Fulterer AG CH-9430 St. Margrethen			replaces version date:	
ind.	changes	date	na.	