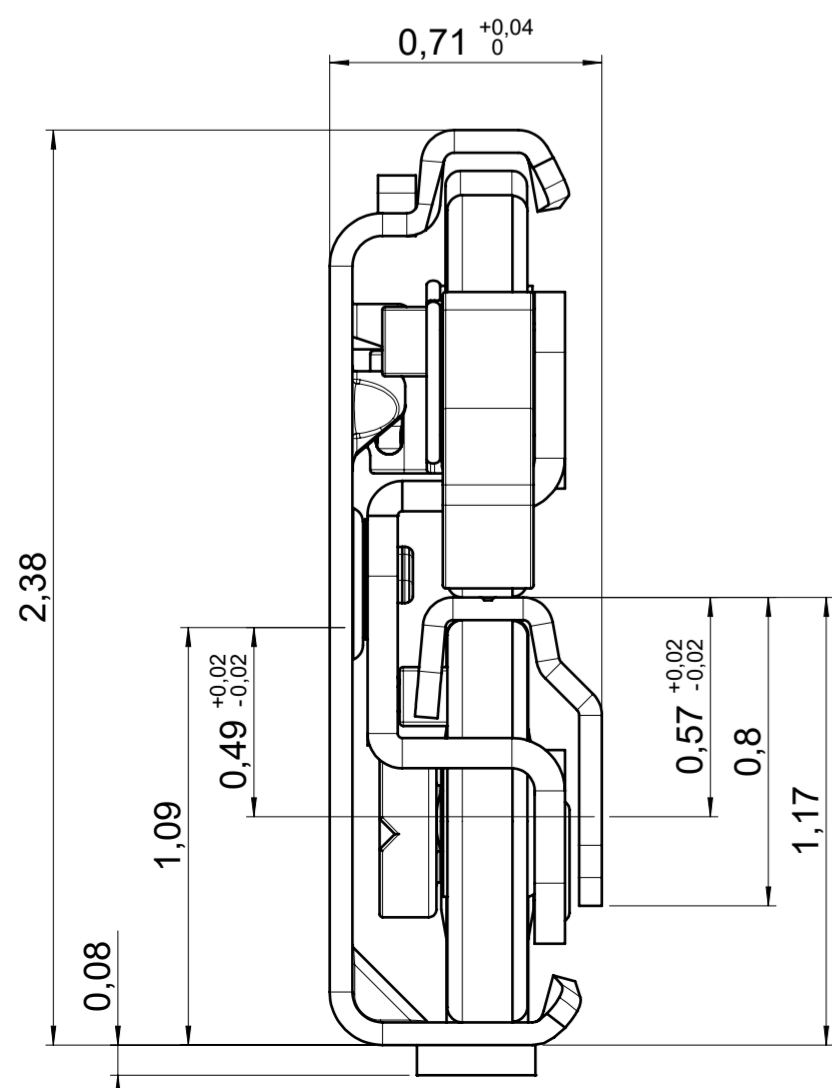
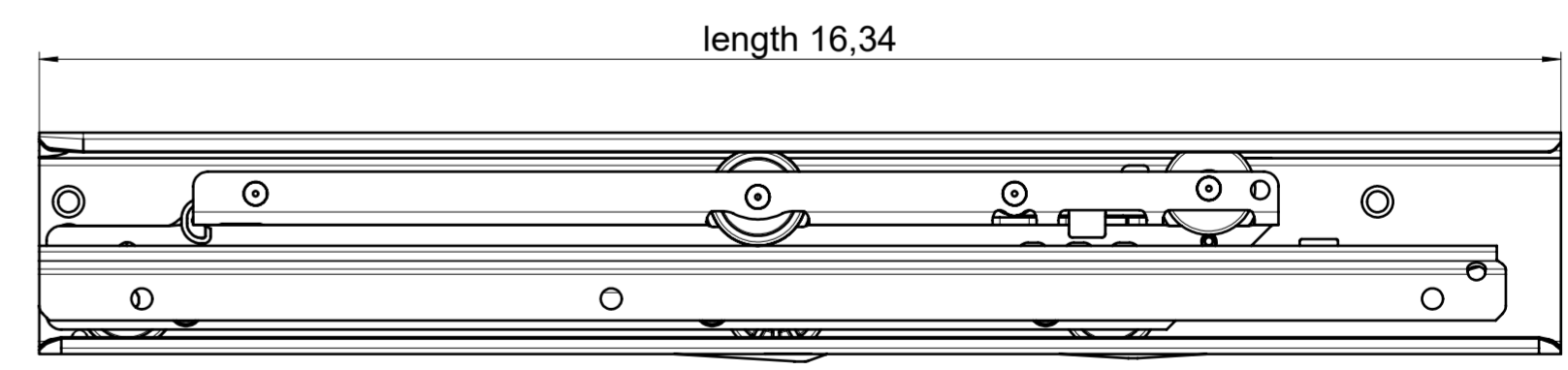
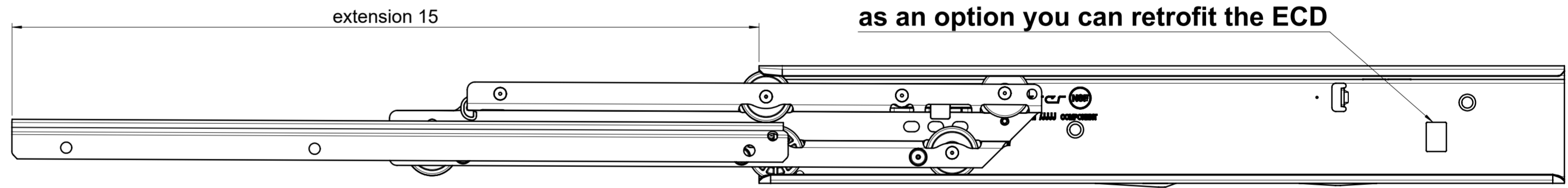
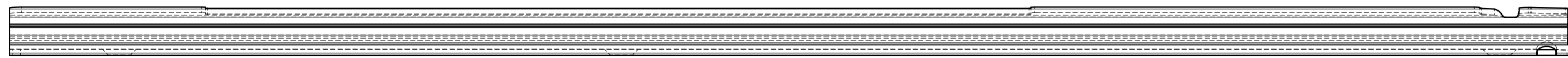
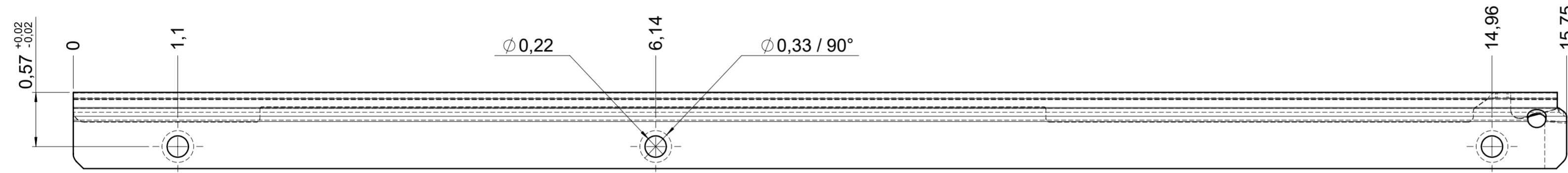
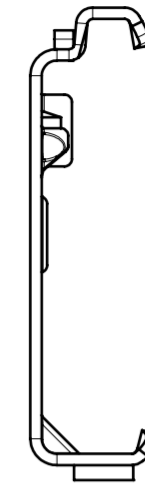
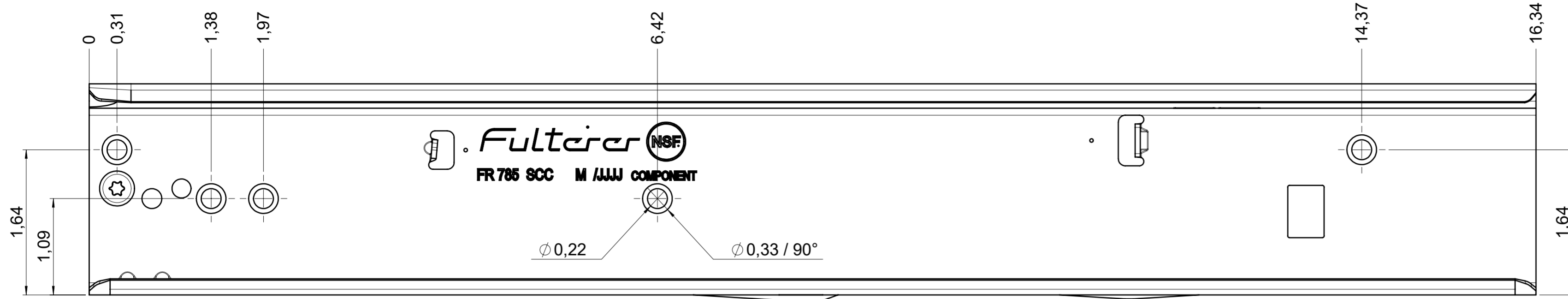


drawn left (right mirrorimage)



final approval

customer name:

signed by:

date:

all dimensions in inch

DIN ISO 128-30
missing dimensions see 3D
= theor. intersection

| | | | | | | |
|--|--|--|--|--|------------|---|
| This drawing remains our property and may not be multiplied neither be disclosed to third parties (§§1,3 and 5 from the copyright Act (UrhG)) covered according to DIN ISO 16016 | | | | scale: 1:1 | surface: | material, semi finished parts: CS (technical requirements Fulterer) |
| (k) | | | | drawn | date | name |
| (l) | | | | 24-11-2022 | ex | |
| (m) | | | | proven | 02-01-2023 | pr |
| (n) | | | | Fulterer | | description: FR 785 / 40 CS EN (inch) progressive-action full-extension drawerslide / side mount |
| (o) | | | | | | |
| (p) | | | | Fulterer AG & Co KG A-6890 Lustenau / Austria | | drawing number: CS# 785.400-GA.L501 |
| (q) | | | | Fulterer AG CH-9430 St. Margrethen | | |
| (r) | | | | changes | | replaces version date: |
| (s) | | | | date | na. | |
| (t) | | | | | | |
| (u) | | | | | | |
| (v) | | | | | | |
| (w) | | | | | | |
| (x) | | | | | | |
| (y) | | | | | | |
| (z) | | | | | | |