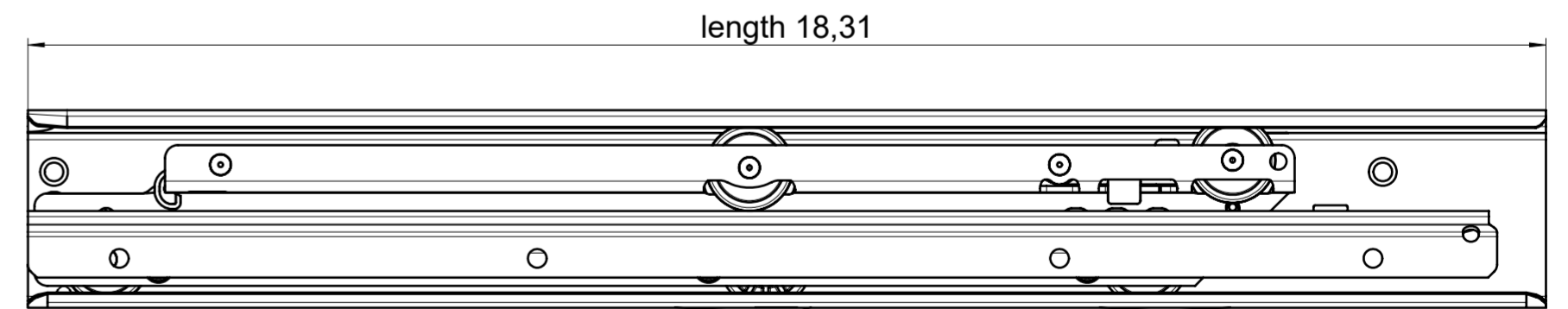
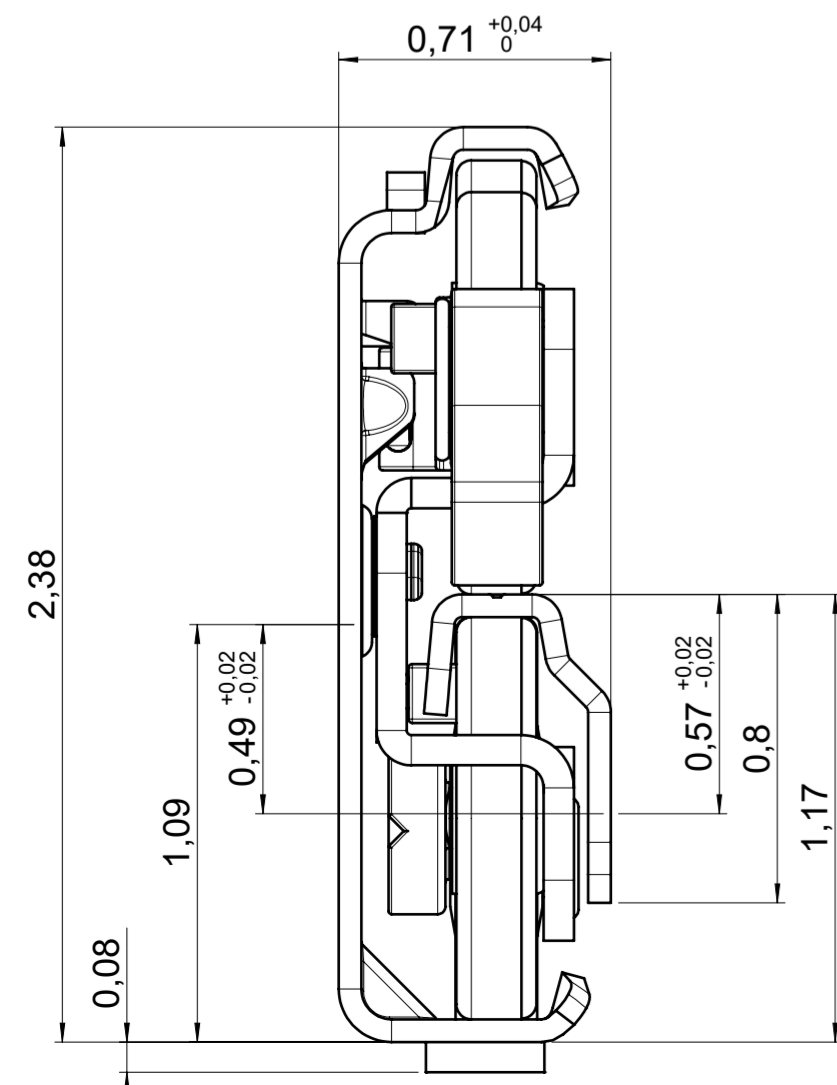
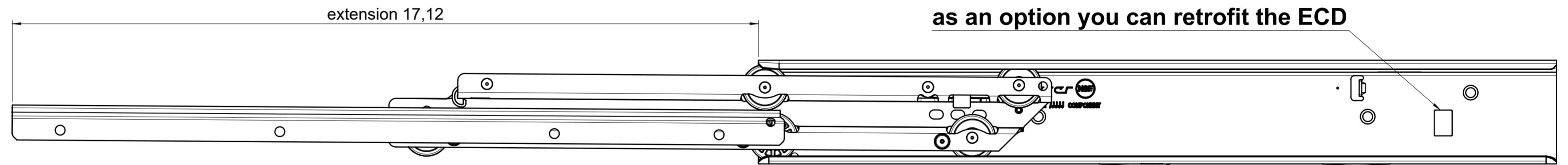
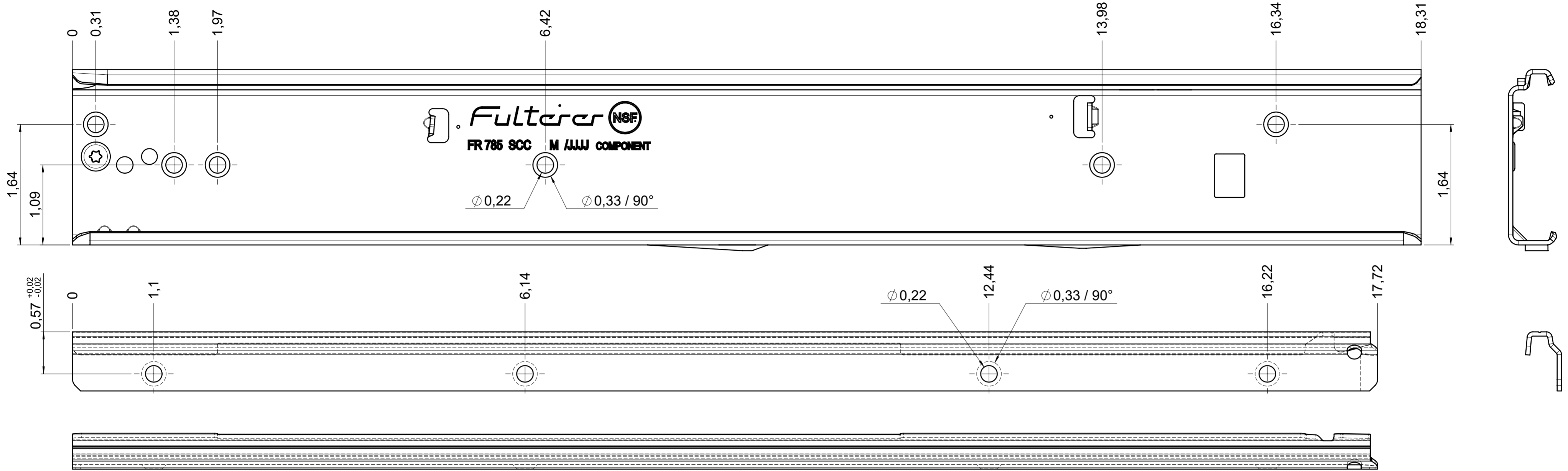


drawn left (right mirrorimage)



**final approval**

customer name:

signed by:

date:

**all dimensions in inch**

DIN ISO 128-30  
missing dimensions see 3D  
 $\varnothing$  = theor. intersection

This drawing remains our property and may not be multiplied neither be disclosed to third parties (§§1,3 and 5 from the copyright Act (UrhG)) covered according to DIN ISO 16016				scale: 1:1	surface:	material, semi finished parts: CS (technical requirements Fulterer)
(k)				date	name	description: FR 785 / 45 CS EN (inch) progressive-action full-extension drawerslide / side mount
(l)				drawn 24-11-2022	ex	
(m)				proven 02-01-2023	pr	
(n)				<b>Fulterer</b>		
(o)				Fulterer AG & Co KG A-6890 Lustenau / Austria		drawing number: <b>CS# 785.450-GA.L501</b>
(p)				Fulterer AG CH-9430 St. Margrethen		
(q)						replaces version date:
(r)						
(s)						
(t)						
(u)						
(v)						
(w)						
(x)						
(y)						
(z)						
ind.	changes	date	na.			