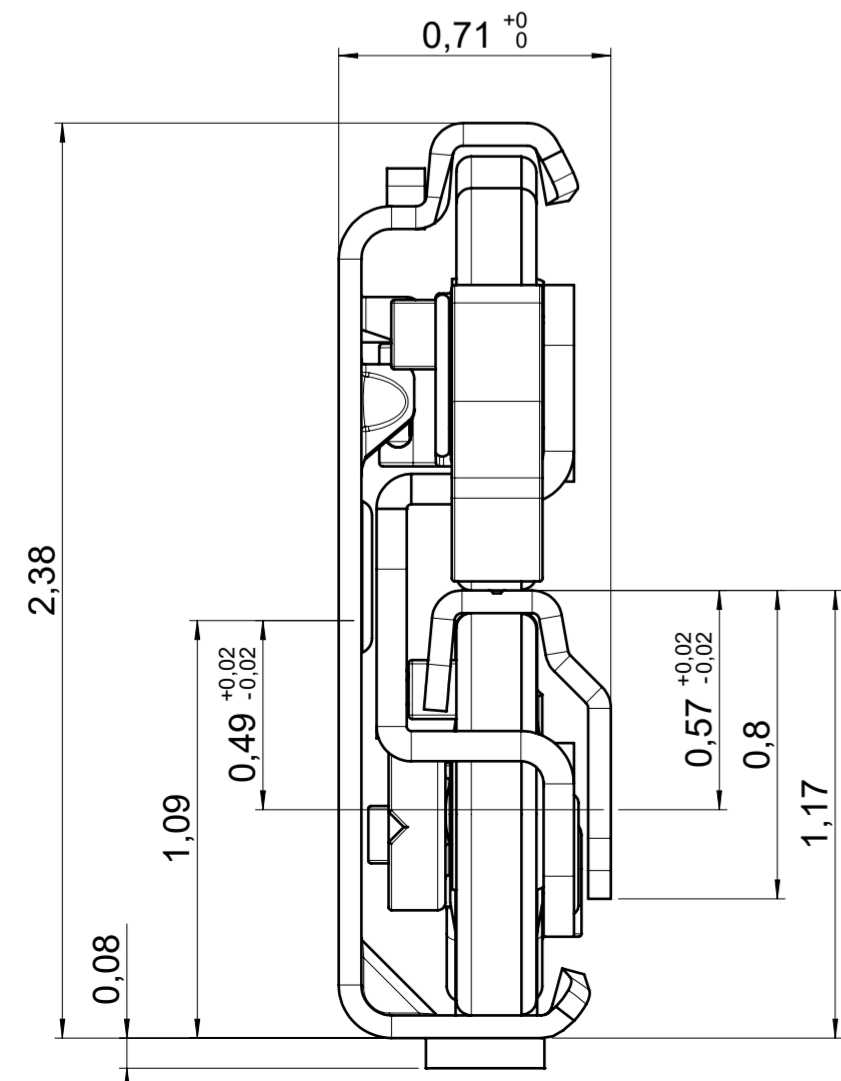
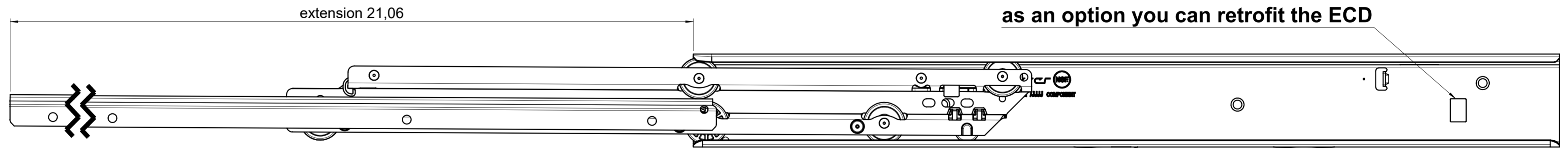
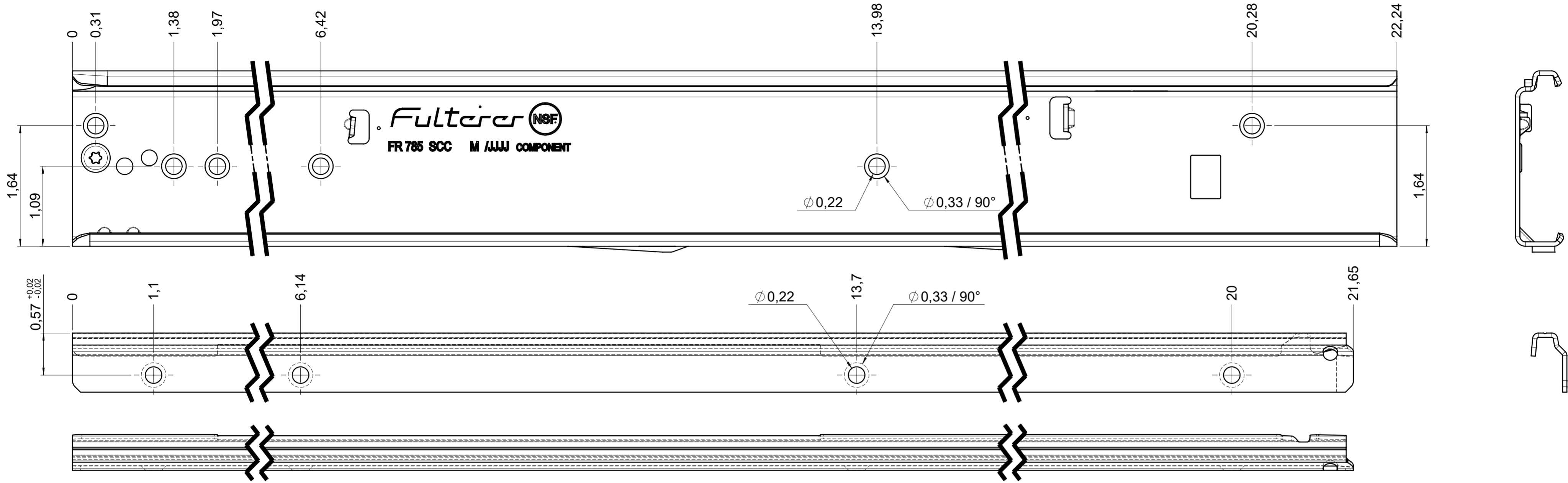


drawn left (right mirrorimage)



**final approval**

customer name:

signed by:

date:

**all dimensions in inch**

⊕ DIN ISO 128-30  
missing dimensions see 3D  
⊕ = theor. intersection

This drawing remains our property and may not be multiplied neither be disclosed to third parties (§§1,3 and 5 from the copyright Act (UrhG)) covered according to DIN ISO 16016				scale:	surface:	material, semi finished parts:	A2
(k)				1:1		CS	
(l)				date	name	(technical requirements Fulterer)	
(m)				drawn 24-11-2022	ex	description: FR 785 / 55 CS EN (inch) progressive-action full-extension drawerslide / side mount	
(n)				proven 02-01-2023	pr		
(o)				<b>Fulterer</b>		drawing number: <b>CS# 785.550-GA.L501</b>	
(p)							
(q)				Fulterer AG & Co KG A-6890 Lustenau / Austria			
(r)				Fulterer AG CH-9430 St. Margrethen			
(s)				changes	date	na.	