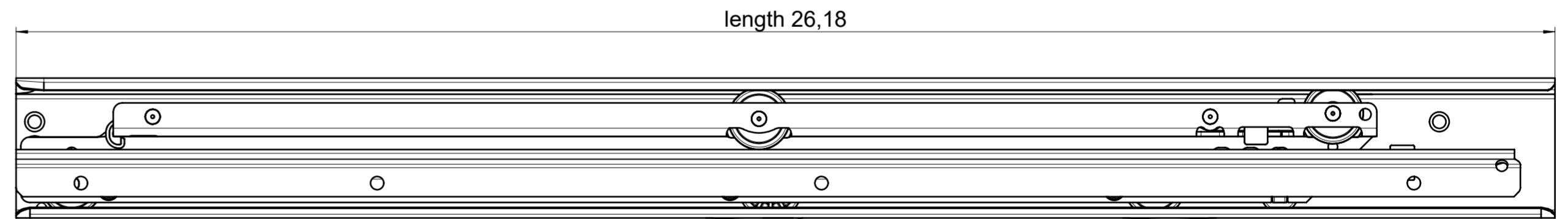
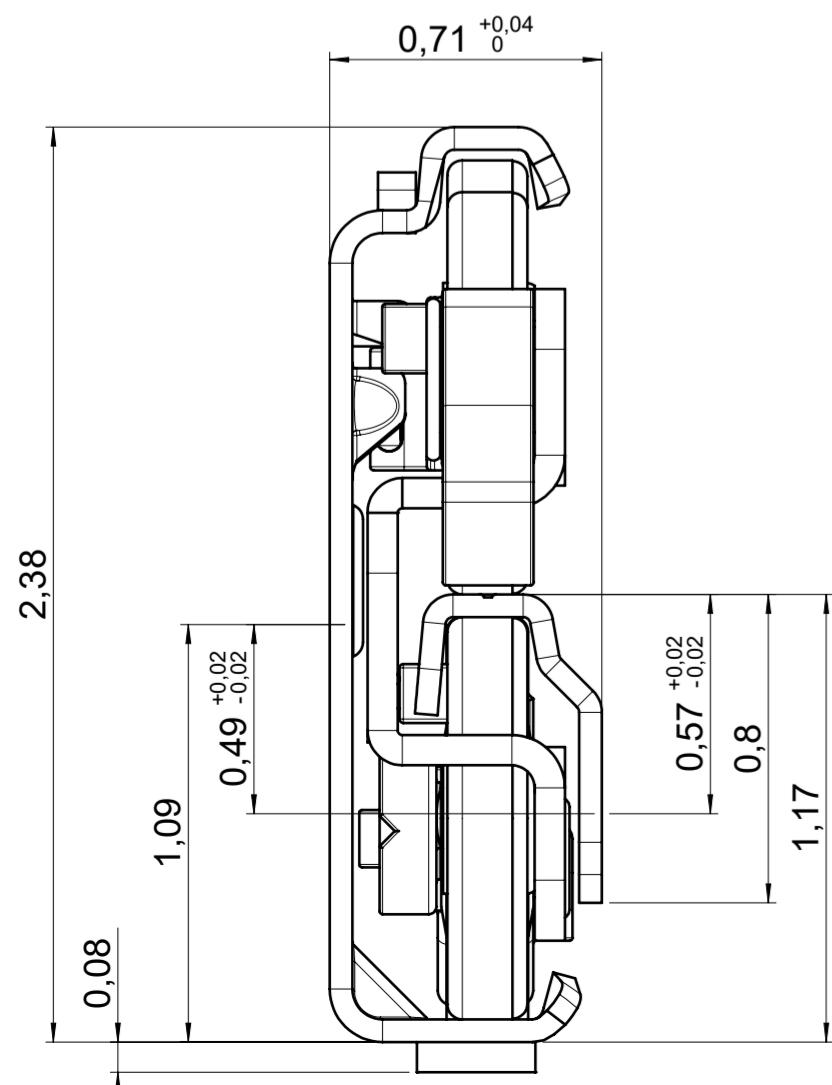
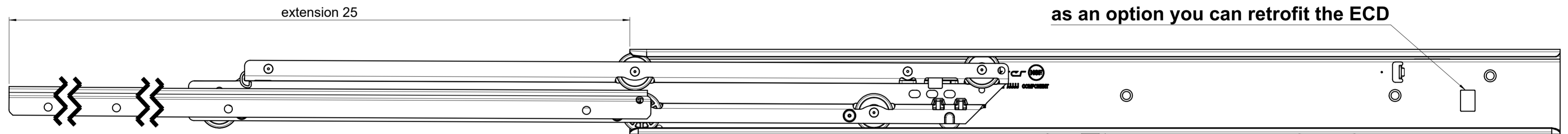
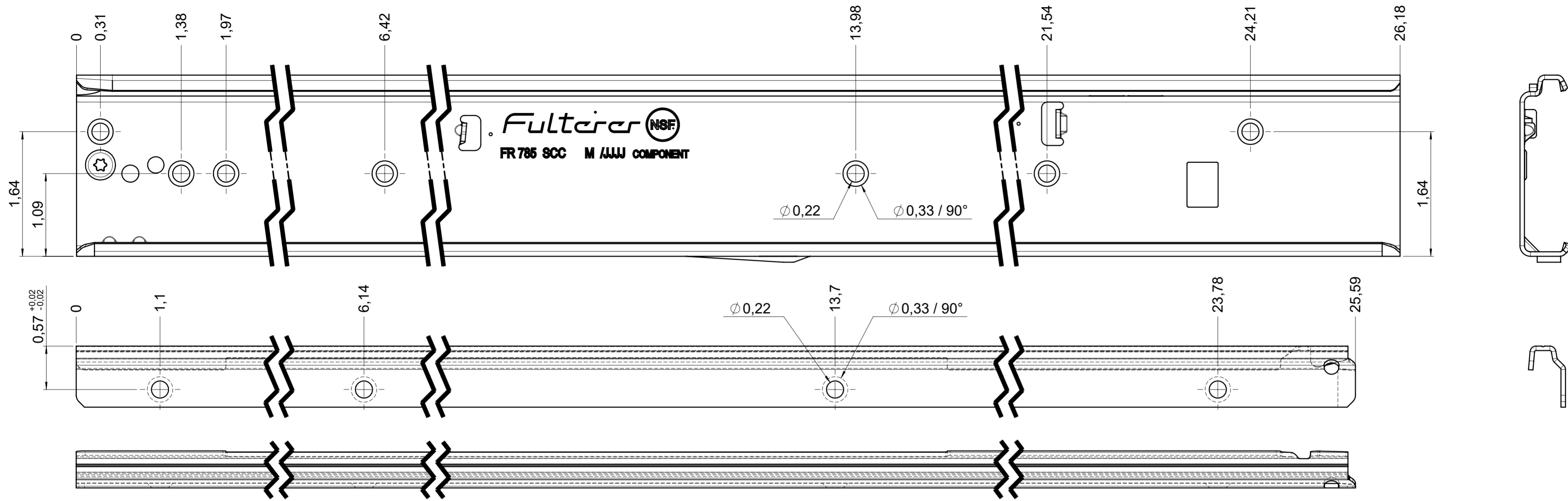


drawn left (right mirrorimage)



final approval

customer name:

signed by:

date:

all dimensions in inch

DIN ISO 128-30
missing dimensions see 3D
 = theor. intersection

This drawing remains our property and may not be multiplied neither be disclosed to third parties (§§1,3 and 5 from the copyright Act (UrhG)) covered according to DIN ISO 16016				scale: 1:1	surface:	material, semi finished parts: CS (technical requirements Fulterer)
(k)				date	name	description: FR 785 / 65 CS EN (inch) progressive-action full-extension drawerslide / side mount
(l)				drawn 24-11-2022	ex	
(m)				proven 02-01-2023	pr	
(n)						drawing number: CS# 785.650-GA.L501
(o)						
(p)				Fulterer AG CH-9430 St. Margrethen		replaces version date:
(q)				changes	date	na.