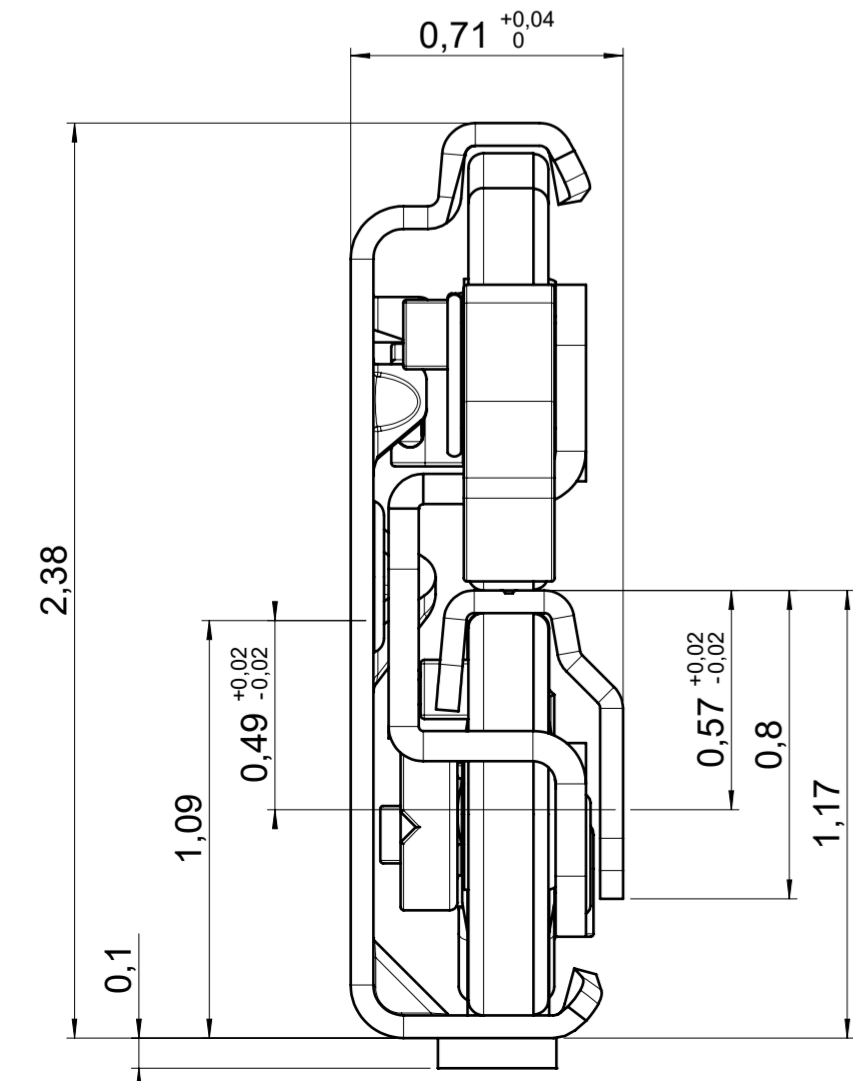
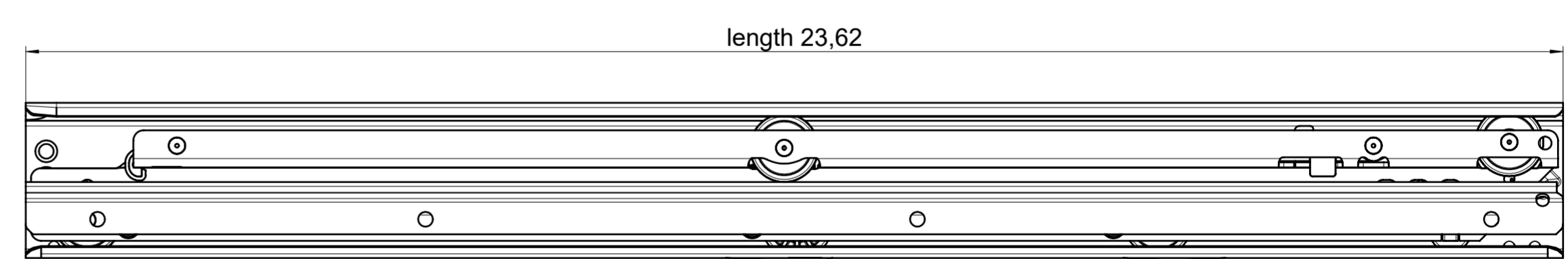
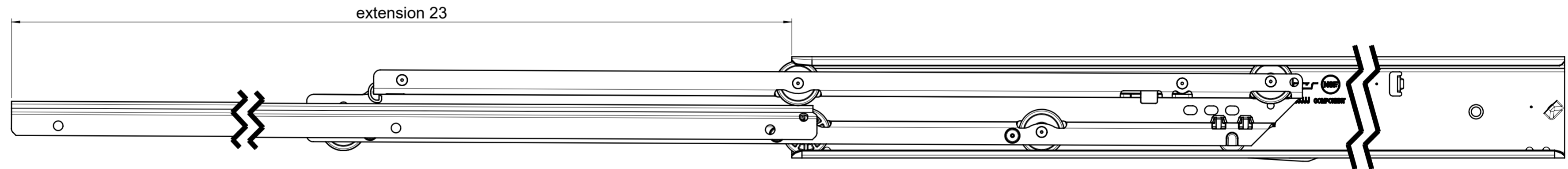
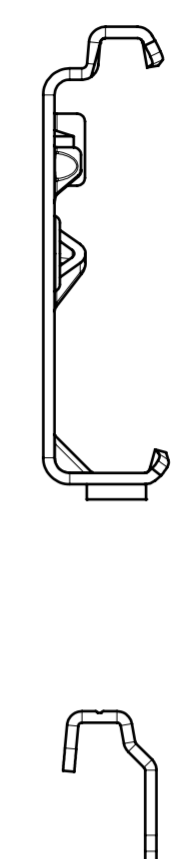
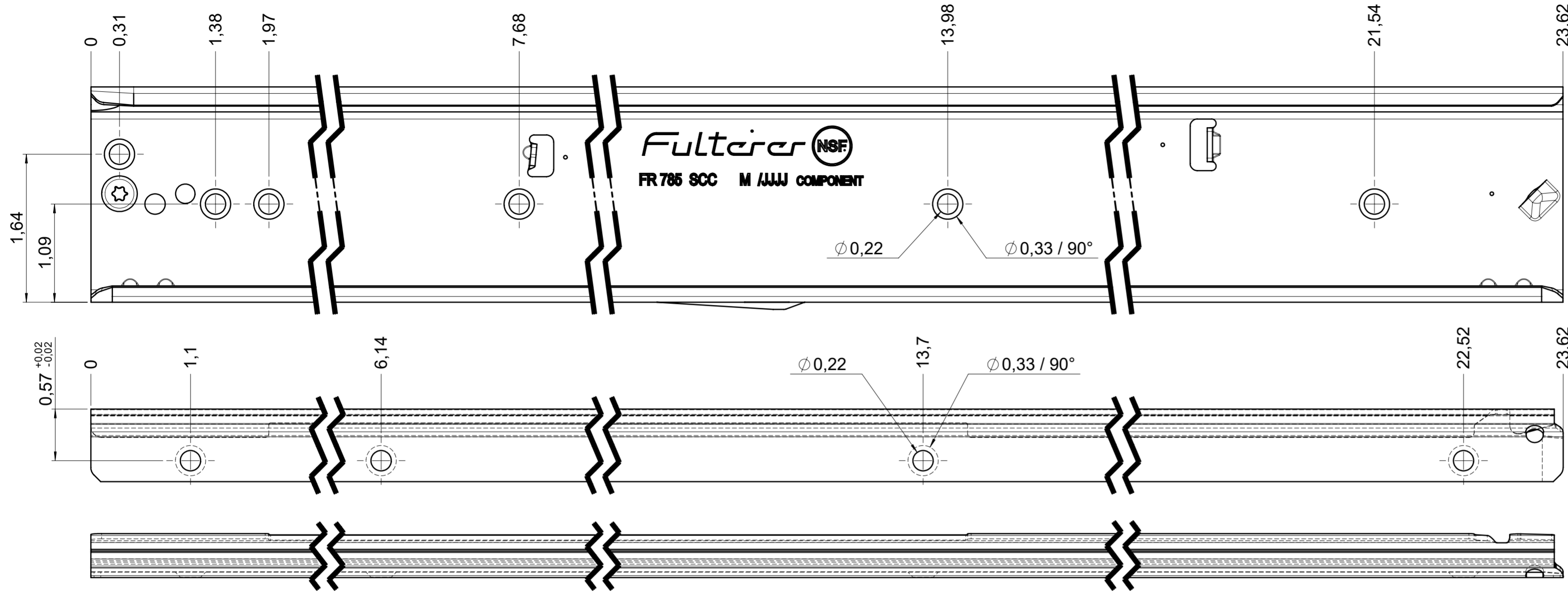


drawn left (right mirrorimage)



**final approval**

customer name:

signed by:

date:

all dimensions in inch				DIN ISO 128-30 missing dimensions see 3D = theor. intersection	
This drawing remains our property and may not be multiplied neither be disclosed to third parties (§§1,3 and 5 from the copyright Act (UrhG)) covered according to DIN ISO 16016					
scale: 1:1		surface:		material, semi finished parts: CS (technical requirements Fulterer)	
drawn 24-11-2022		date		name	
proven 02-01-2023		pr		ex	
description:		FR 790 / 60 CS EN (inch) progressive-action full-extension drawerslide / side mount			
drawing number:		CS# 790.600-GA.0000			
replaces version date:					
Fulterer AG & Co KG A-6890 Lustenau / Austria		Fulterer AG CH-9430 St. Margrethen			
ind.	changes	date	na.		