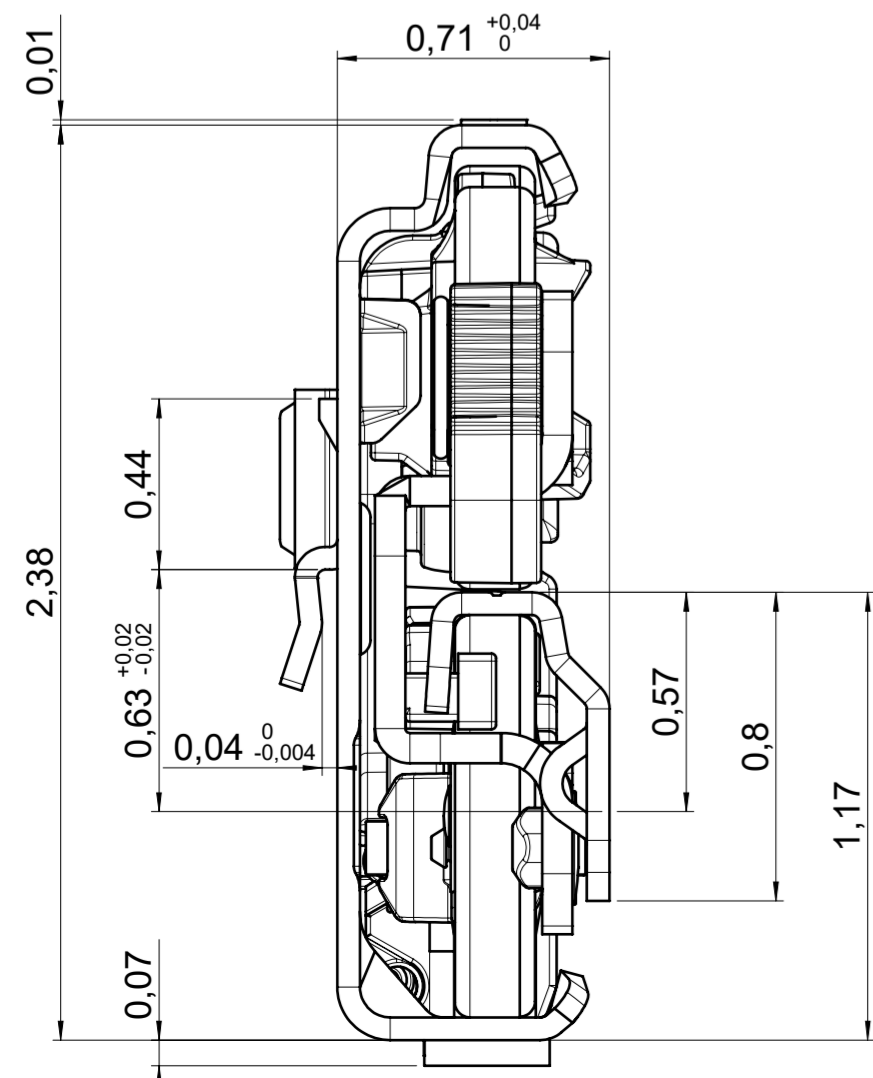
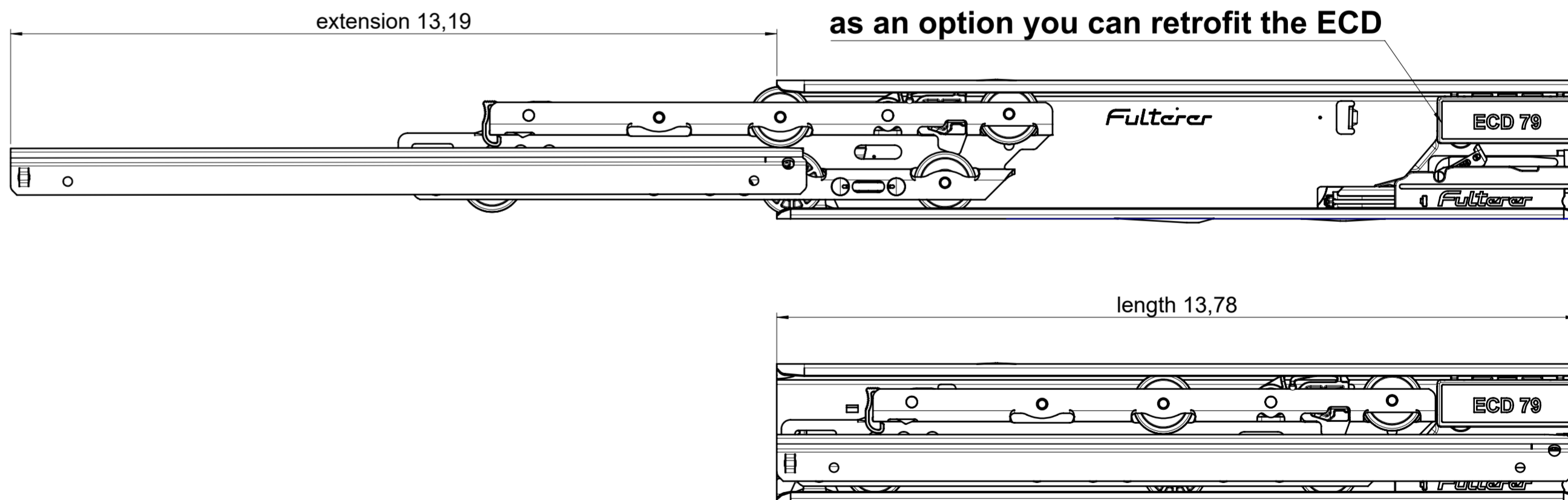
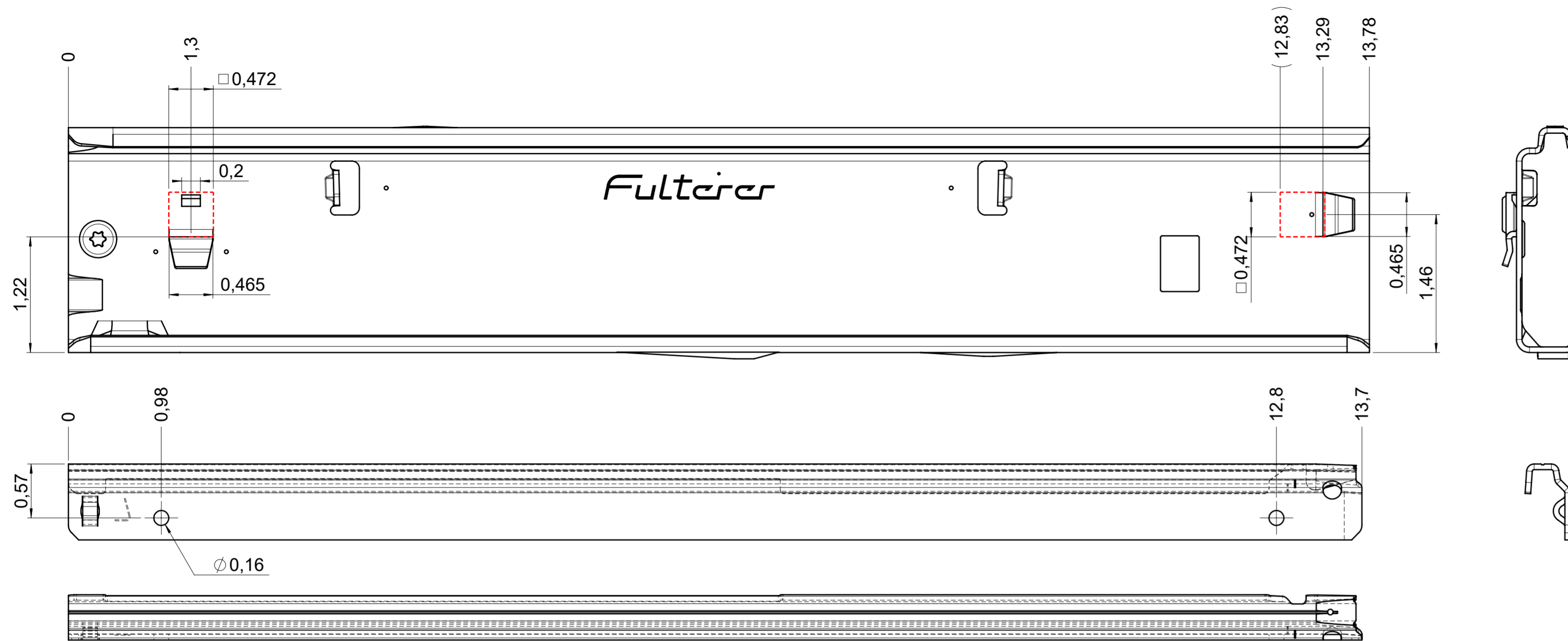


drawn on the left (mirrored on the right)



final approval

customer name:

signed by:

date:

all dimensions in inch			
missing dimensions see 3D ☉ = theor. intersection	scale: 1:1	surface/color:	material: CS (technical requirements Fulterer)
prototype approval		date	name
		2024-01-12	RK
		2024-01-12	RK
		Fulterer	
		Fulterer AG & Co KG A-6890 Lustenau	
		Fulterer AG CH-9430 St. Margrethen	
		description: FR 795-350 CS EN (inch) progressive-action full-extension drawerslide / side mount	
		drawing number: CS# 795.350-GA.L526	
		replaces the edition:	
This drawing remains our property and may not be multiplied neither be disclosed to third parties (§§1.3 and 5 from the copyright Act (UrHfG)).			covered according to DIN ISO 16016