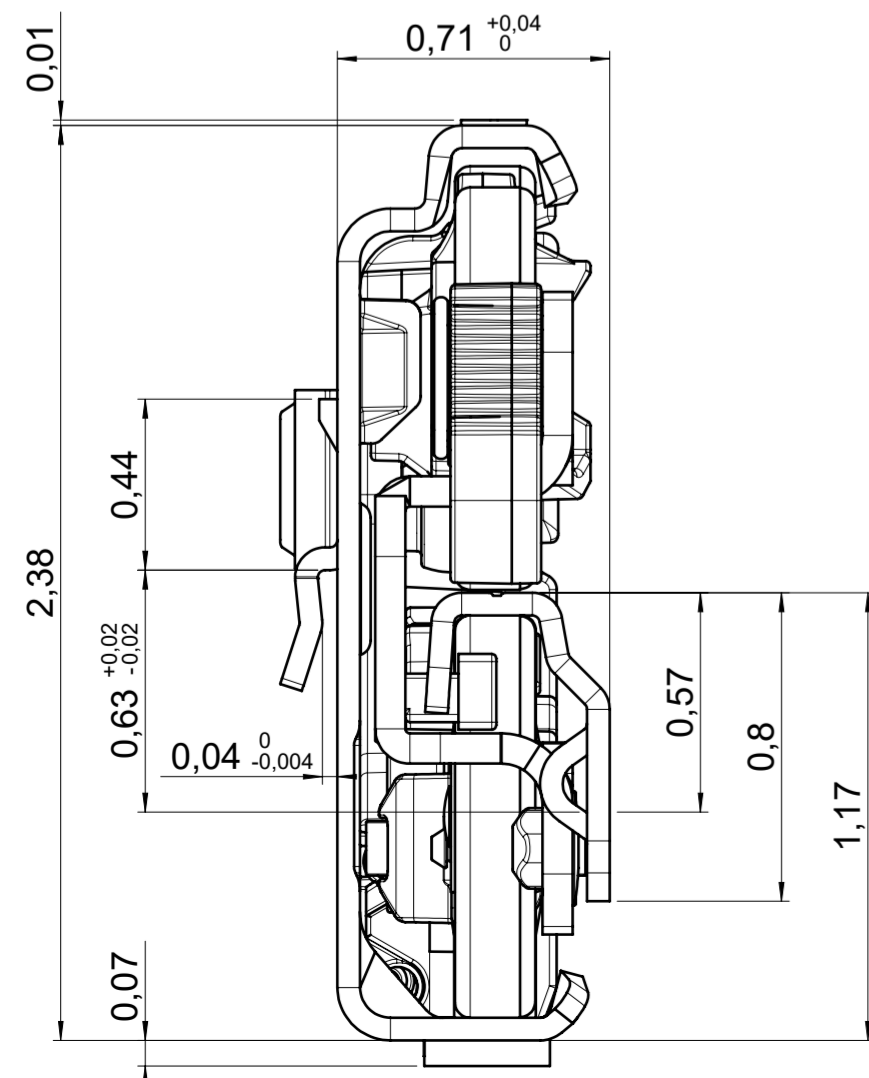
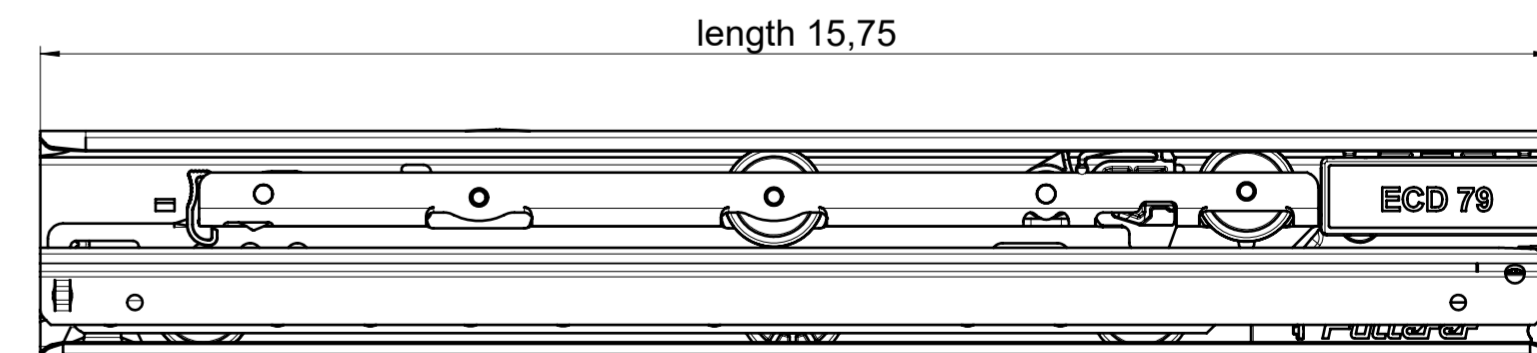
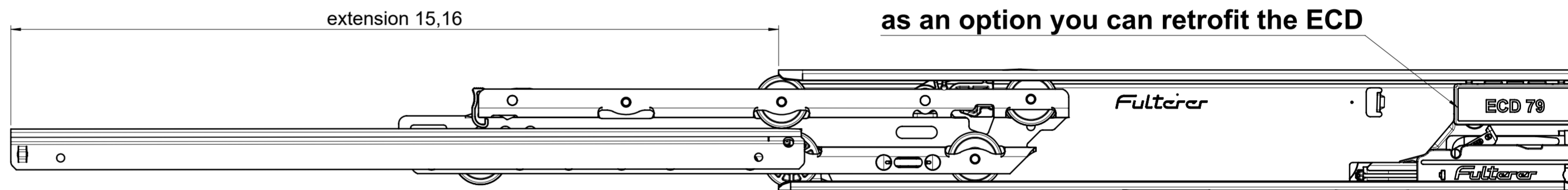
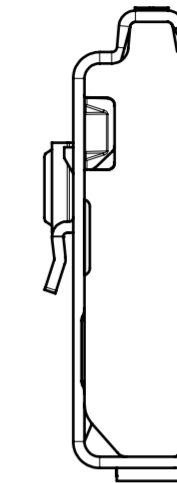
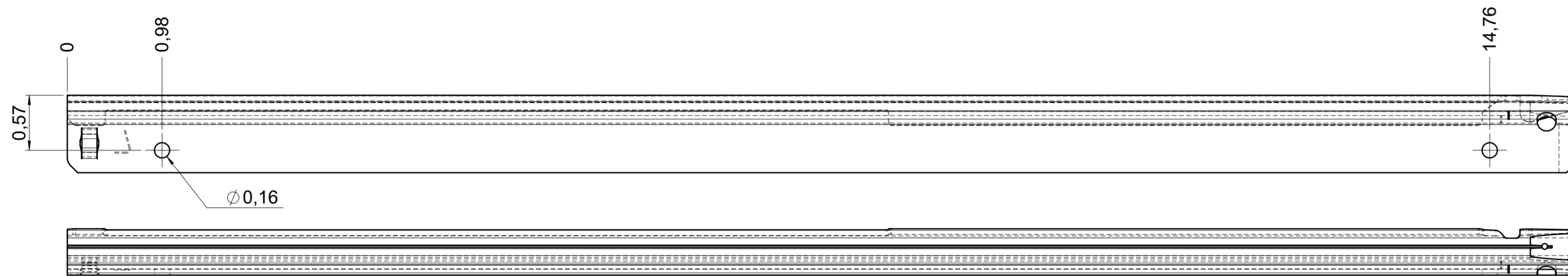
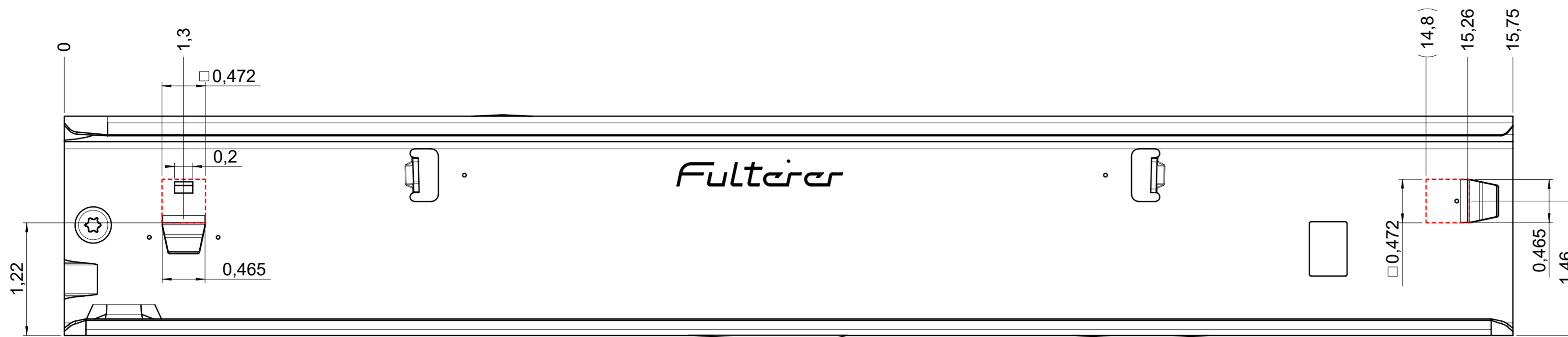


drawn on the left (mirrored on the right)



**final approval**

customer name:

signed by:

date:

all dimensions in inch			
missing dimensions see 3D ⇒ ⊕ = theor. intersection	scale: 1:1	surface/color:	material: CS (technical requirements Fulterer)
<b>prototype approval</b>		date	name
drawn	2024-01-12	RK	description: <b>FR 795-400 CS EN (inch)</b> progressive-action full-extension drawerslide / side mount
proven	2024-01-12	RK	drawing number: <b>CS# 795.400-GA.L526</b>
① PDM	2024-01-12	RK	replaces the edition:
ind. changes	date	name	
Fulterer AG & Co KG A-6890 Lustenau Fulterer AG CH-9430 St. Margrethen			