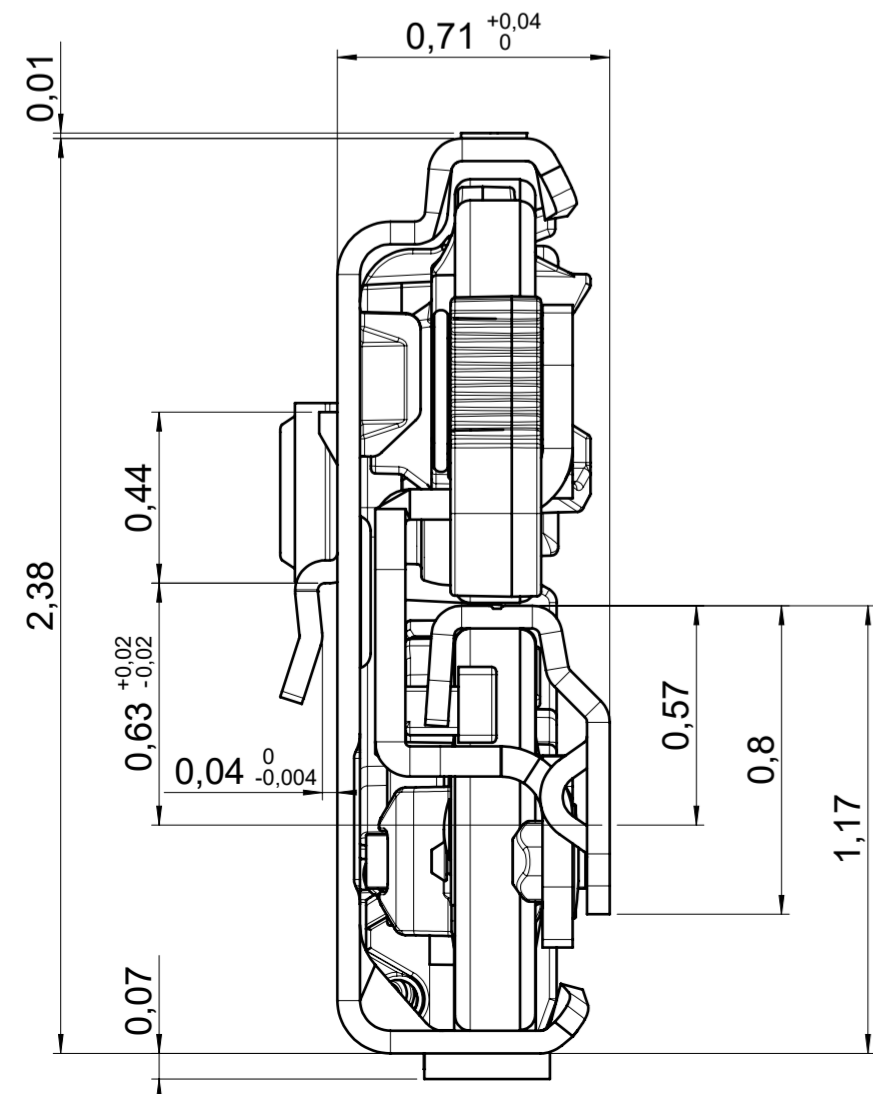
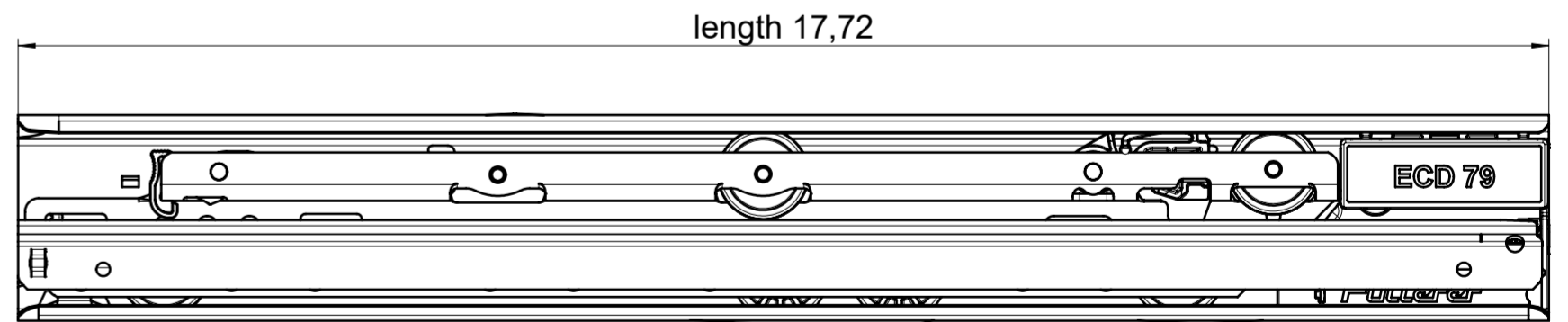
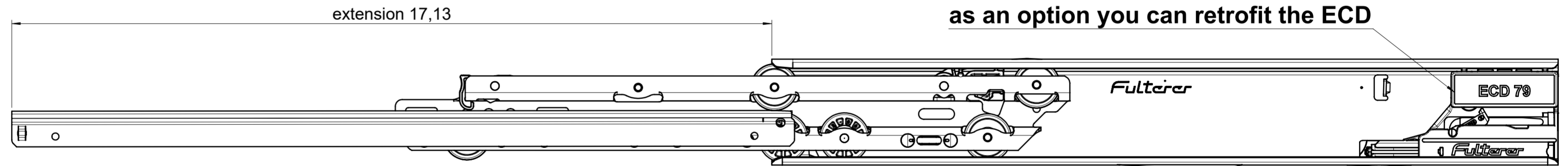
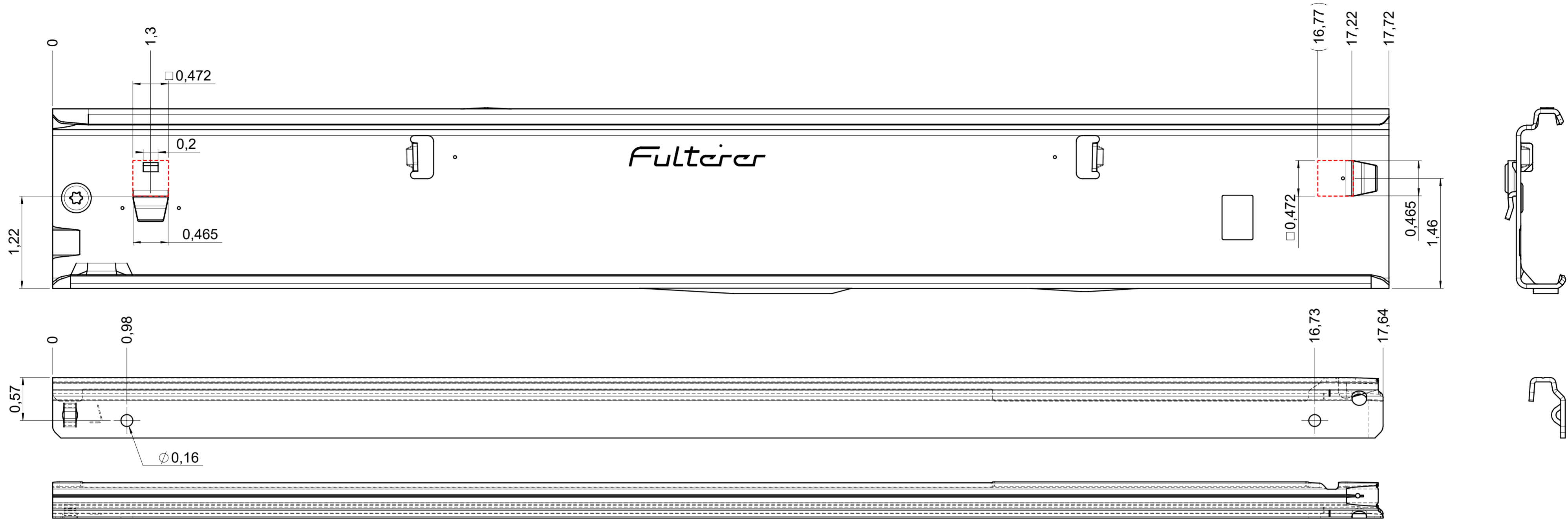


drawn on the left (mirrored on the right)



<b>final approval</b>	customer name:
	signed by:
	date:

all dimensions in inch									
missing dimensions see 3D ☉ = theor. intersection	scale: <b>1:1</b>	surface/color:	material: <b>CS</b> (technical requirements Fulterer)						
<b>prototype approval</b>		date	name						
		drawn 2024-01-12 RK	description: <b>FR 795-450 CS EN (inch)</b> progressive-action full-extension drawerslide / side mount						
<table border="1"> <tr> <td>proven 2024-01-12 RK</td> <td> </td> </tr> <tr> <td colspan="2">                     Fulterer AG &amp; Co KG                      A-6890 Lustenau                      Fulterer AG                      CH-9430 St. Margrethen                 </td> </tr> </table>		proven 2024-01-12 RK		Fulterer AG & Co KG A-6890 Lustenau Fulterer AG CH-9430 St. Margrethen		drawing number: <b>CS# 795.450-GA.L526</b>	replaces the edition:		
		proven 2024-01-12 RK							
Fulterer AG & Co KG A-6890 Lustenau Fulterer AG CH-9430 St. Margrethen									
<table border="1"> <tr> <td>ind. changes</td> <td>date</td> <td>name</td> </tr> <tr> <td> </td> <td> </td> <td> </td> </tr> </table>			ind. changes	date	name				drawing number: <b>CS# 795.450-GA.L526</b>
ind. changes	date	name							
This drawing remains our property and may not be multiplied neither be disclosed to third parties (§§1.3 and 5 from the copyright Act (UrH.G)).			covered according to DIN ISO 16016						