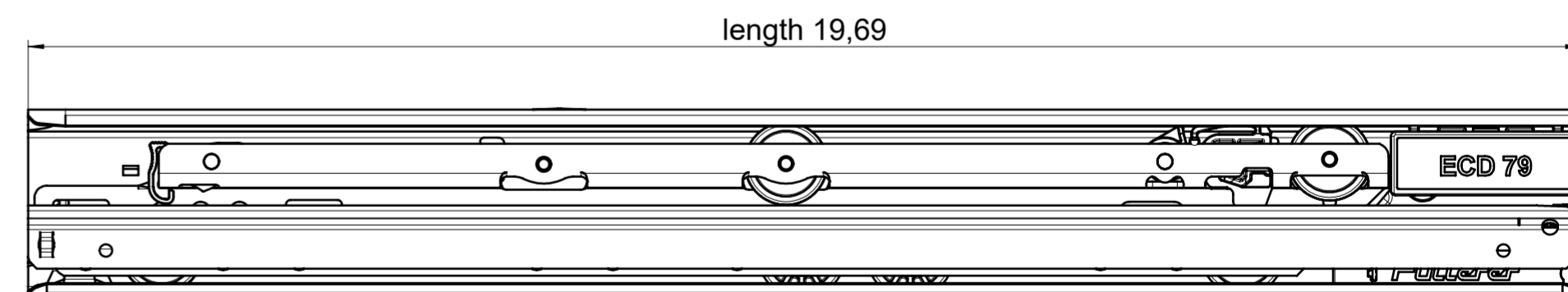
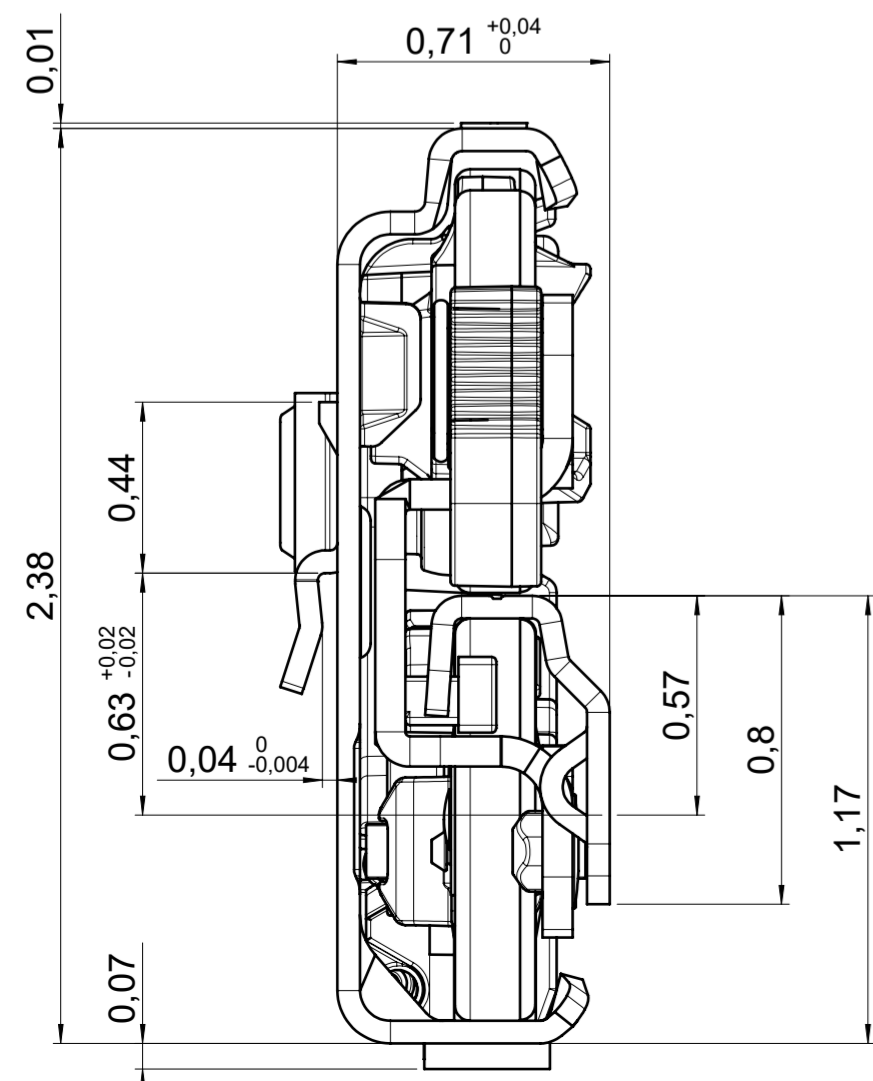
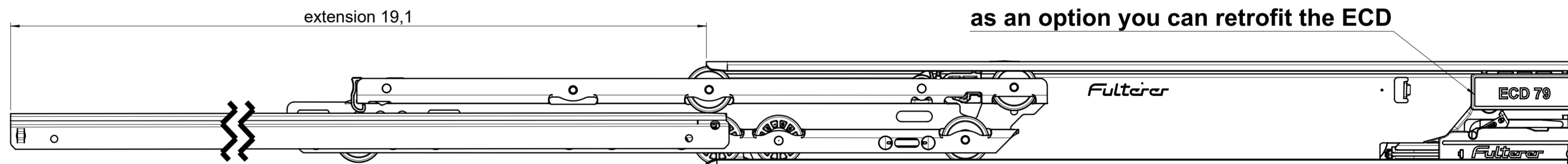
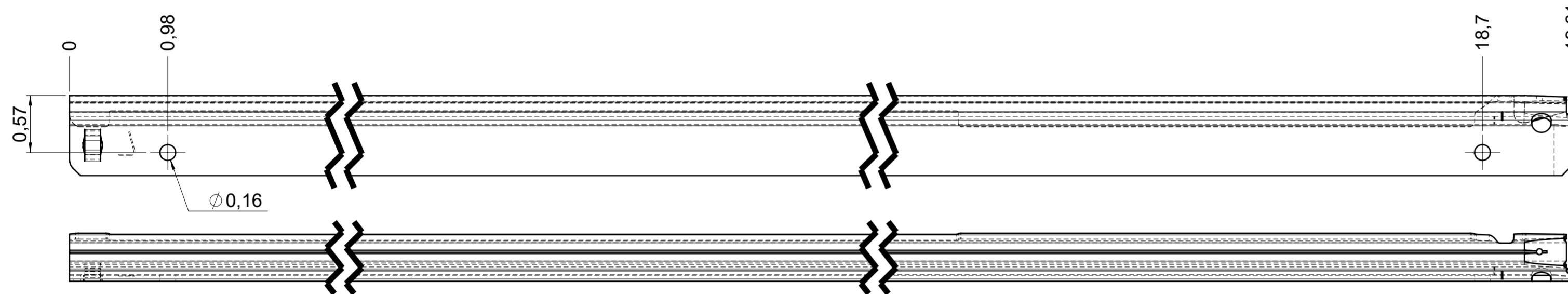
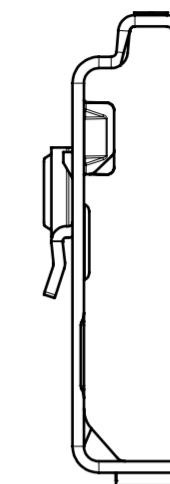
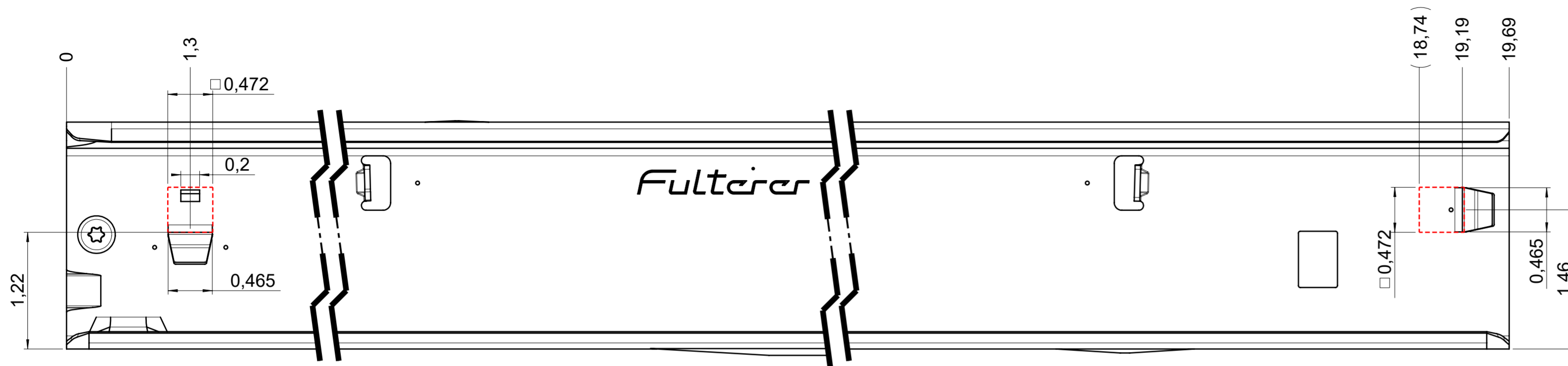


drawn on the left (mirrored on the right)



**final approval**

customer name:

signed by:

date:

all dimensions in inch			
missing dimensions see 3D = theor. intersection	scale: 1:1	surface/color:	material: CS (technical requirements Fulterer)
<b>prototype approval</b>		drawn: 2024-01-12 RK	description: FR 795-500 CS EN (inch)
		proven: 2024-01-12 RK	progressive-action full-extension drawerslide / side mount
		 Fulterer AG & Co KG A-6890 Lustenau Fulterer AG CH-9430 St. Margrethen	drawing number: CS# 795.500-GA.L526
PDM 2024-01-12 RK ind. changes date name			replaces the edition:
This drawing remains our property and may not be multiplied neither be disclosed to third parties (§§1.3 and 5 from the copyright Act (UrhG)).			covered according to DIN ISO 16016