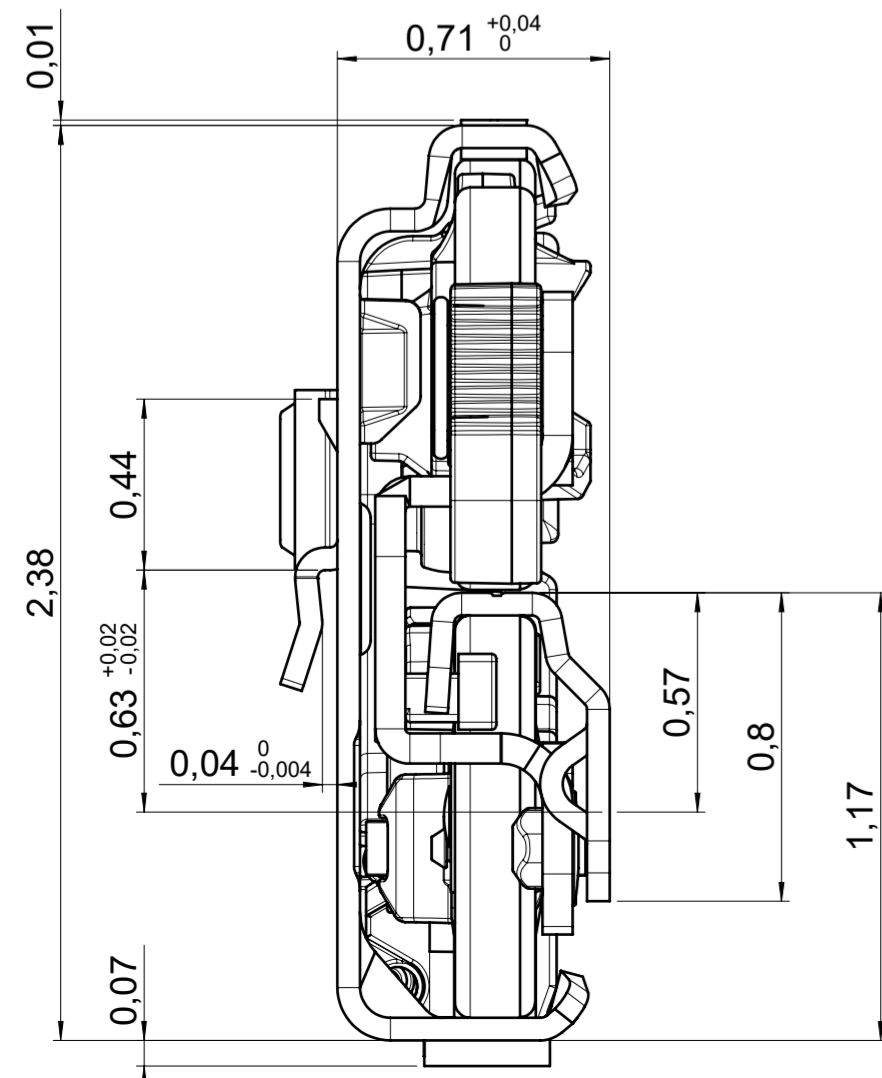
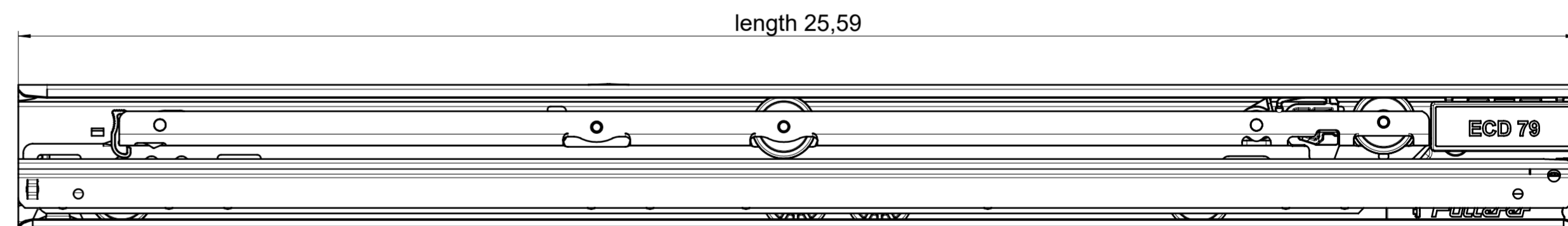
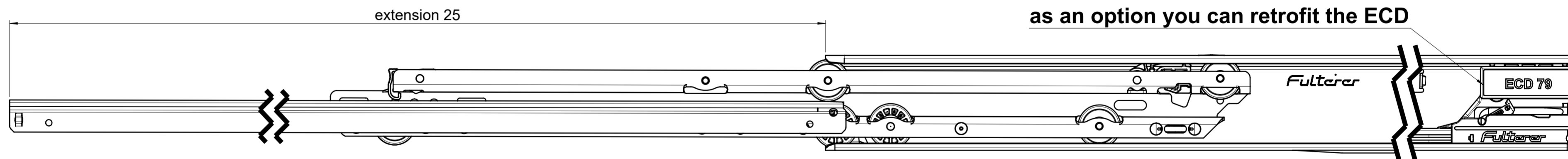
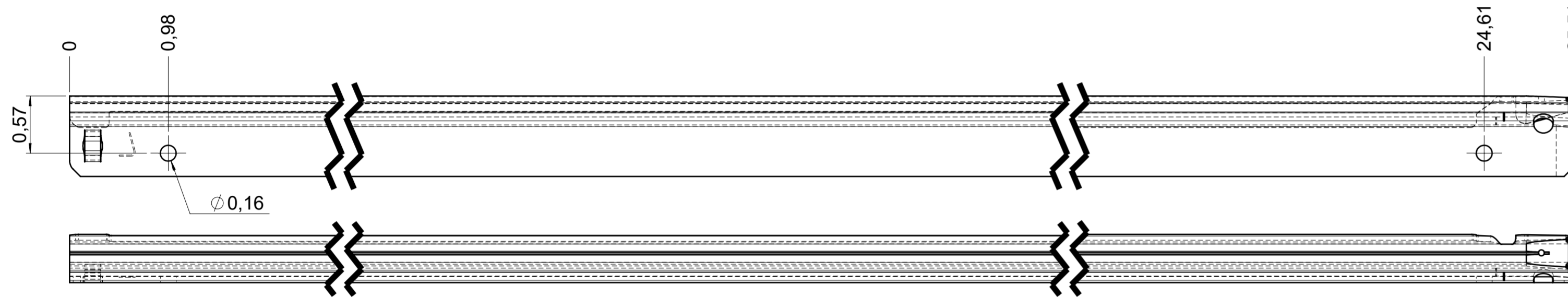
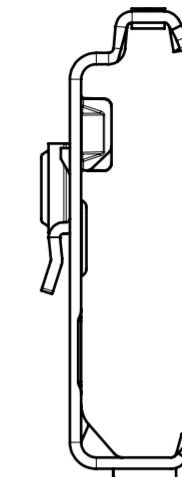
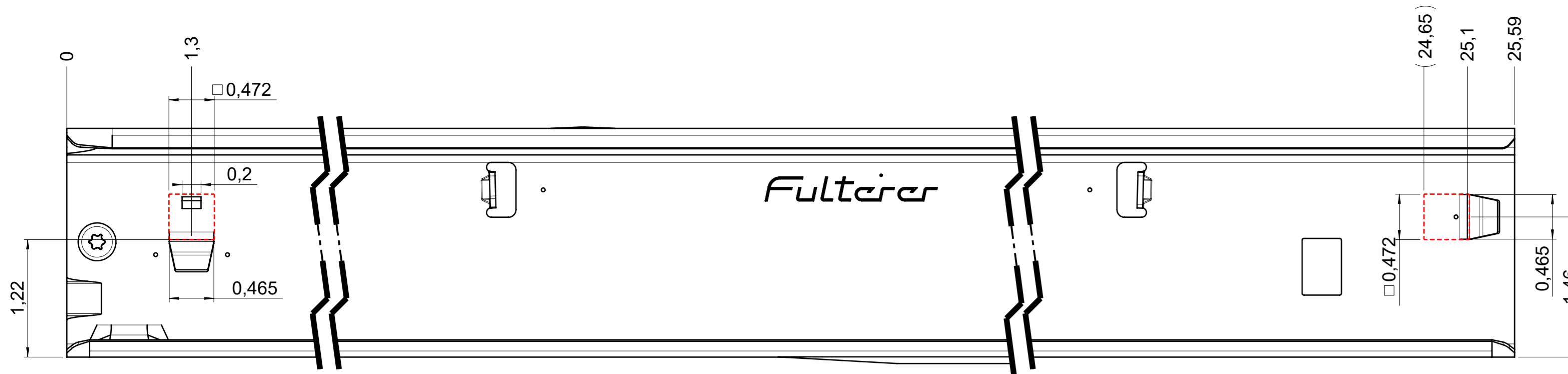


drawn on the left (mirrored on the right)



final approval

customer name:

signed by:

date:

all dimensions in inch			
missing dimensions see 3D ☉ = theor. intersection	scale: 1:1	surface/color:	material: CS (technical requirements Fulterer)
prototype approval		drawn: 2024-01-12 RK	date: 2024-01-12 RK
		proven: 2024-01-12 RK	name: RK
		description: FR 795-650 CS EN (inch) progressive-action full-extension drawerslide / side mount	
		drawing number: CS# 795.650-GA.L526	
		replaces the edition:	
PDM 2024-01-12 RK ind. changes date name		Fulterer AG & Co KG A-6890 Lustenau Fulterer AG CH-9430 St. Margrethen	
This drawing remains our property and may not be multiplied neither be disclosed to third parties (§§1.3 and 5 from the copyright Act (UrHG)).			covered according to DIN ISO 16016