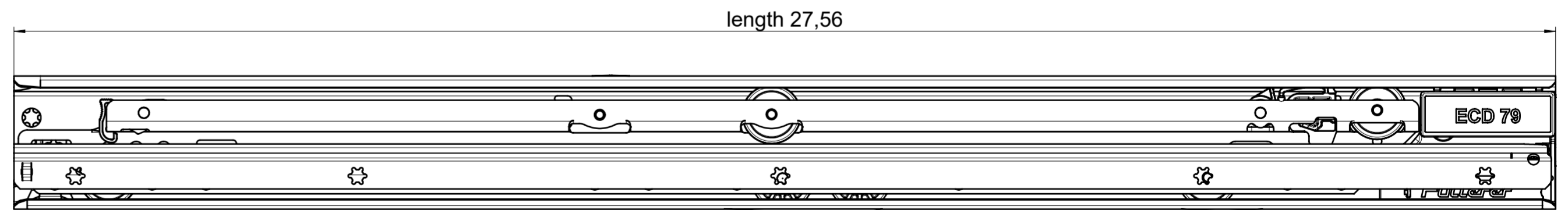
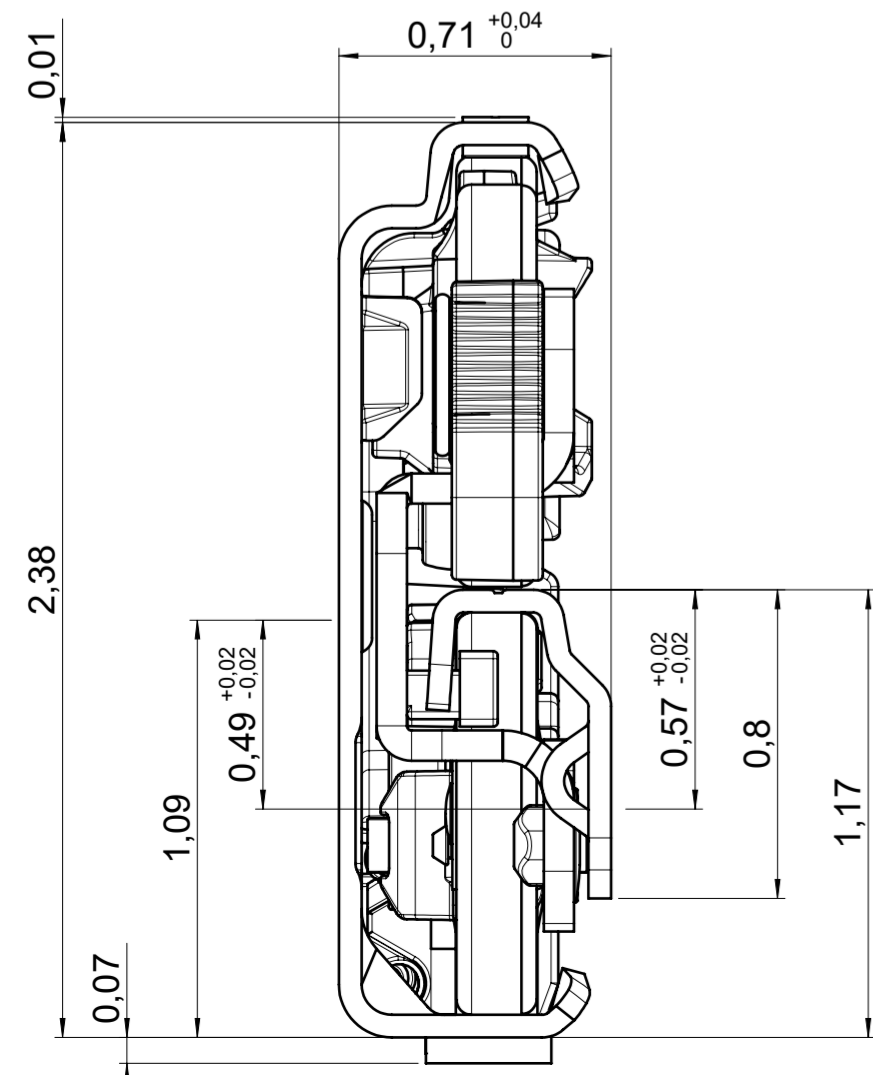
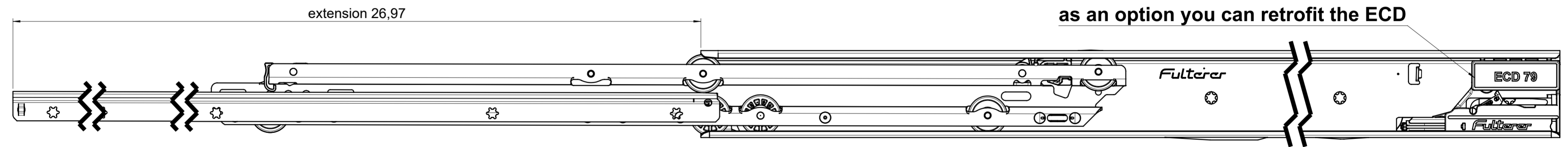
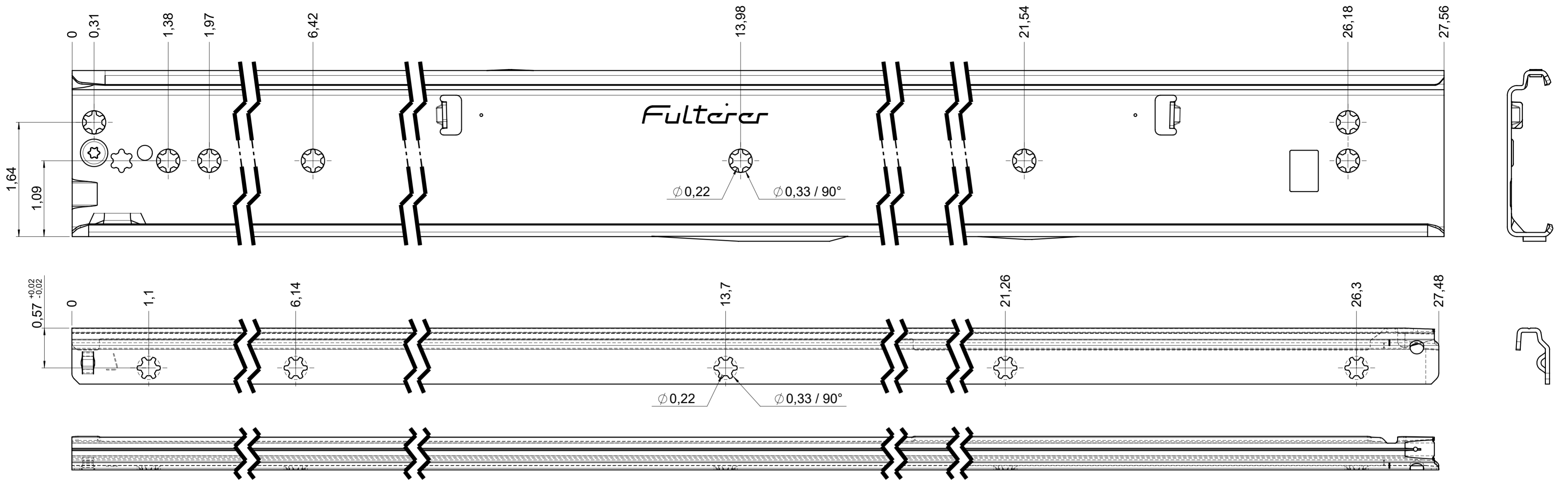


drawn on the left (mirrored on the right)



final approval

customer name:

signed by:

date:

all dimensions in inch					
missing dimensions see 3D = theor. intersection	DIN ISO 128-30	scale: 1:1	surface/color:	material: CS <small>(technical requirements Fullterer)</small>	
prototype approval			date	name	description: FR 795-700 CS EN (inch) progressive-action full-extension drawerslide / side mount
			drawn 2022-11-24 EX		
<div style="display: flex; align-items: center;"> <div style="margin-left: 5px;"> Fullterer AG & Co KG A-6890 Lustenau Fullterer AG CH-9430 St. Margrethen </div> </div>			proven 2024-01-12 RK		drawing number: CS# 795.700-GA.0000
			<div style="display: flex; align-items: center;"> PDM </div> 2023-10-04 date	RK	replaces the edition:
This drawing remains our property and may not be multiplied neither be disclosed to third parties (§§1.3 and 5 from the copyright Act (UrHfG)).					
					covered according to DIN ISO 16016