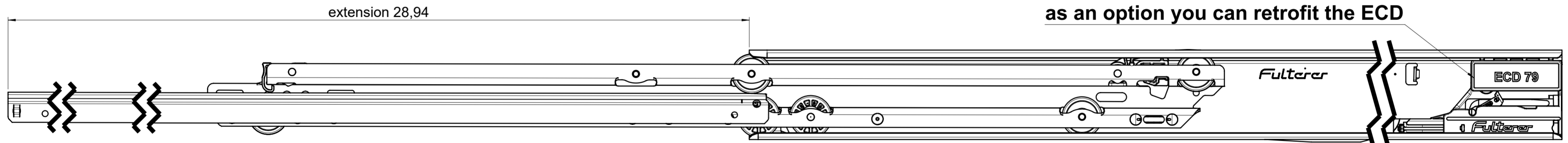
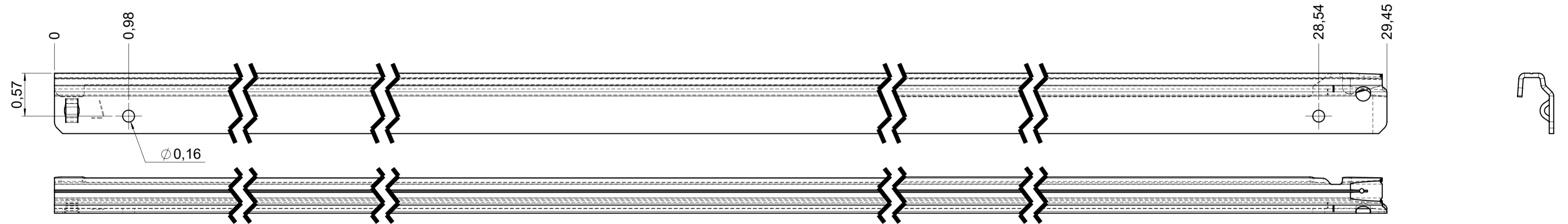
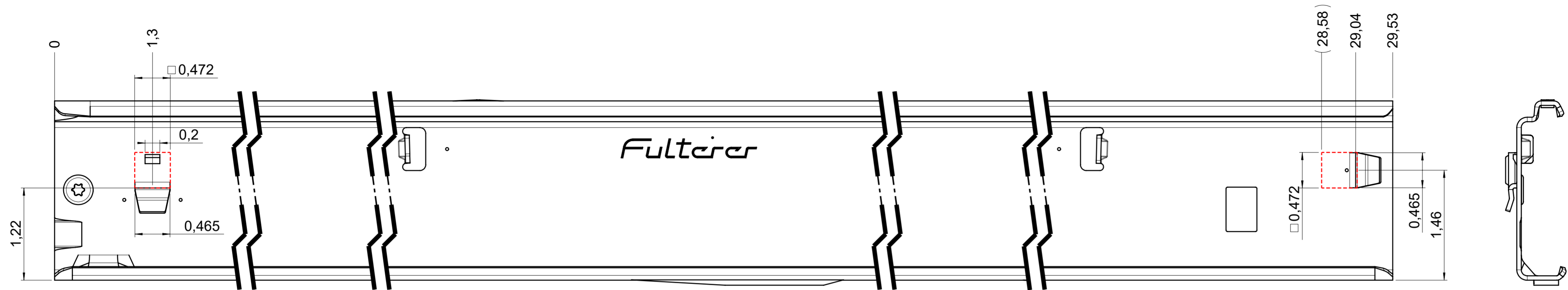
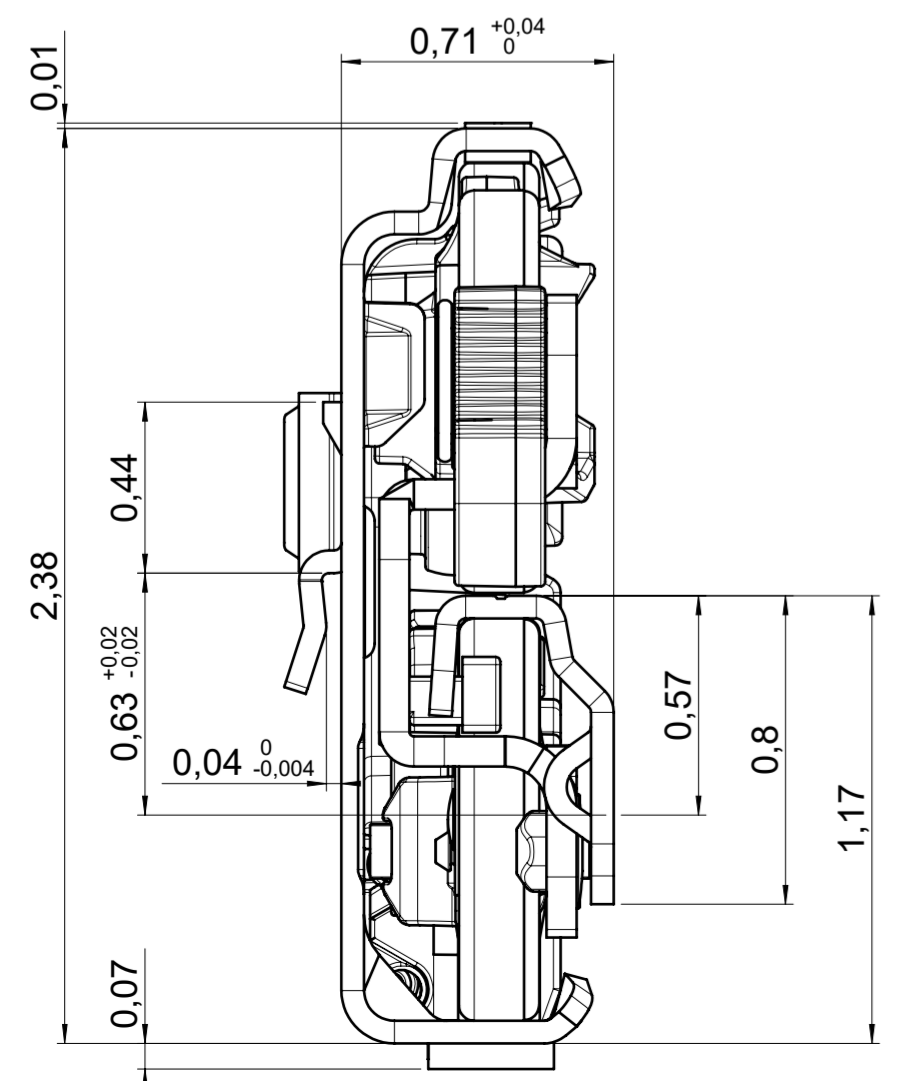


drawn on the left (mirrored on the right)



as an option you can retrofit the ECD



**final approval**

customer name:

signed by:

date:

all dimensions in inch			
missing dimensions see 3D $\varnothing$ = theor. intersection	scale: 1:1	surface/color:	material: CS (technical requirements Fulterer)
<b>prototype approval</b>		drawn: 2024-01-12 RK	date: 2024-01-12 RK
		proven: 2024-01-12 RK	name: RK
		description: <b>FR 795-750 CS EN (inch)</b> progressive-action full-extension drawerslide / side mount	
		drawing number: <b>CS# 795.750-GA.L526</b>	
		replaces the edition:	
Fulterer AG & Co KG A-6890 Lustenau Fulterer AG CH-9430 St. Margrethen			
This drawing remains our property and may not be multiplied neither be disclosed to third parties (§§1.3 and 5 from the copyright Act (UrHG)).			covered according to DIN ISO 16016