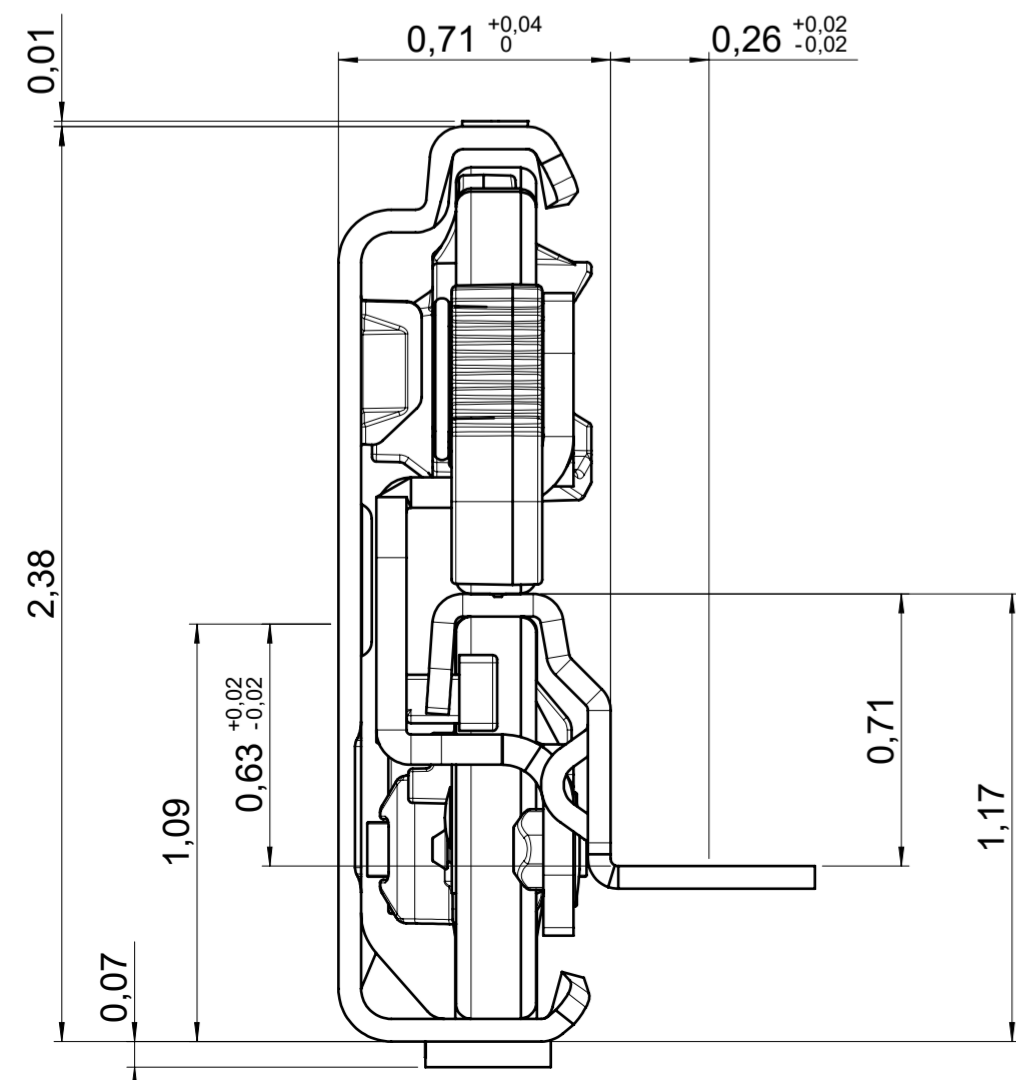
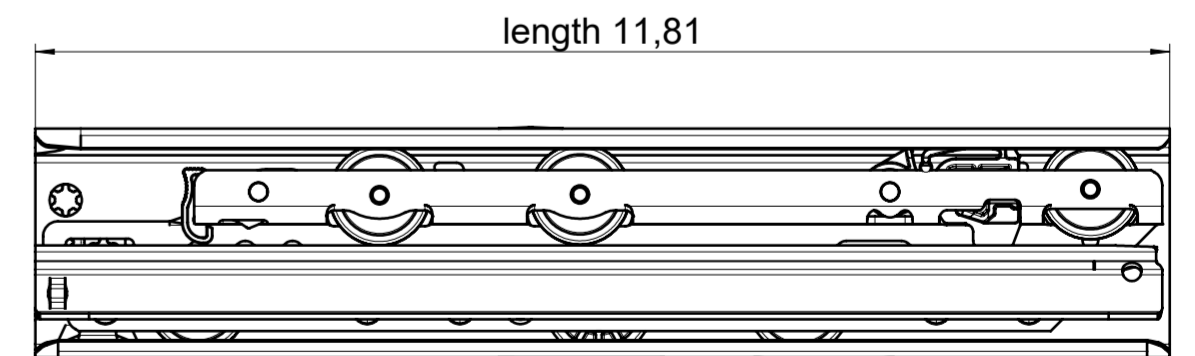
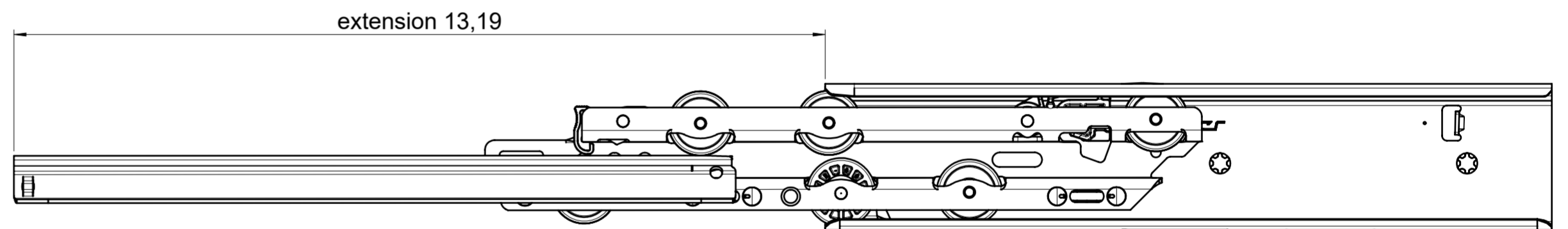
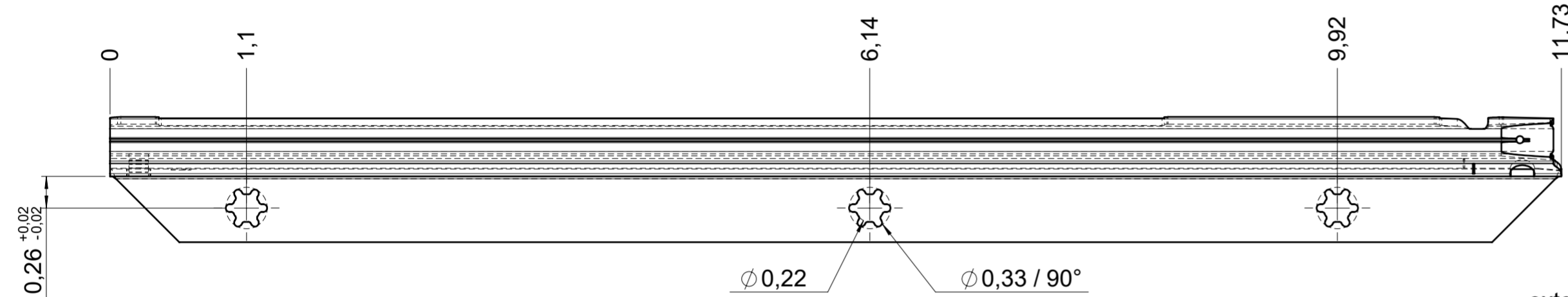
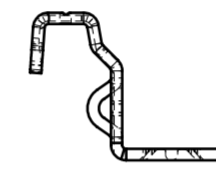
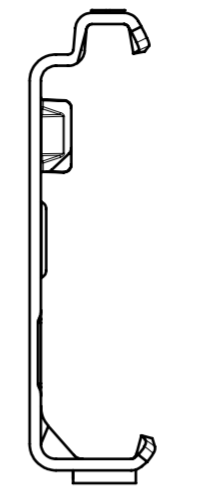
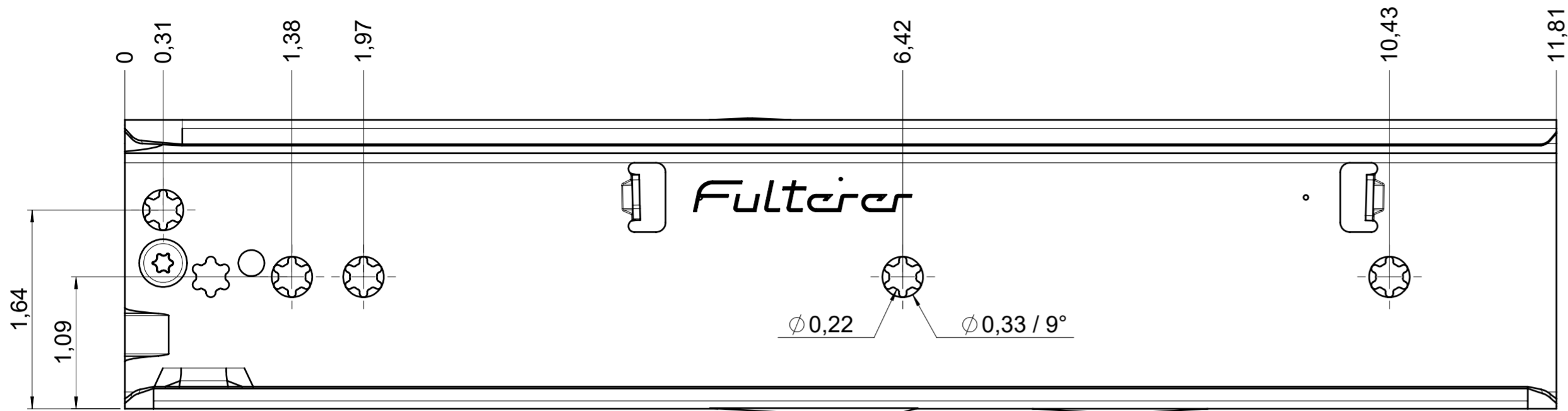


drawn on the left (mirrored on the right)



| | |
|-----------------------|----------------|
| final approval | customer name: |
| | signed by: |
| | date: |

| all dimensions in inch | | | | | | | | | | | |
|---|----------------|----------------------|----------------|------------------------|---|------|------|---|--|--|--|
| missing dimensions see 3D = theor. intersection | DIN ISO 128-30 | scale: 1:1 | surface/color: | material: CS | (technical requirements Fulterer) | | | | | | |
| prototype approval | | drawn | date | name | description: FR 796-300 CS EN (inch) progressive-action over-extension drawerslide / bottom mount | | | | | | |
| | | proven | 2024-01-15 | RK | | | | | | | |
| <table border="1"> <tr> <td>① PDM</td> <td>2024-01-15</td> <td>RK</td> </tr> <tr> <td>ind. changes</td> <td>date</td> <td>name</td> </tr> </table> | | ① PDM | 2024-01-15 | RK | ind. changes | date | name | <p>Fulterer AG & Co KG A-6890 Lustenau Fulterer AG CH-9430 St. Margrethen</p> | | drawing number: CS# 796.300-GA.L500 replaces the edition: | |
| ① PDM | 2024-01-15 | RK | | | | | | | | | |
| ind. changes | date | name | | | | | | | | | |
| <small>This drawing remains our property and may not be multiplied neither be disclosed to third parties (§§1.3 and 5 from the copyright Act (UrHG)).</small> | | | | | | | | | | | |
| | | | | | A2 | | | | | | |