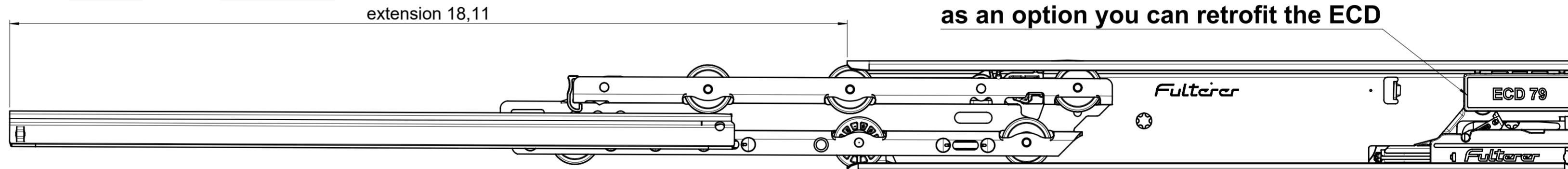
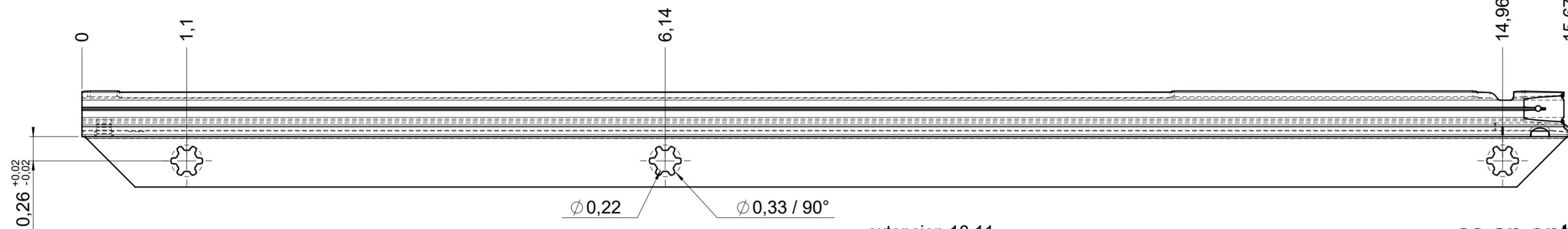
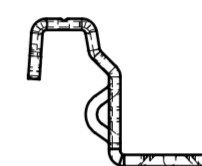
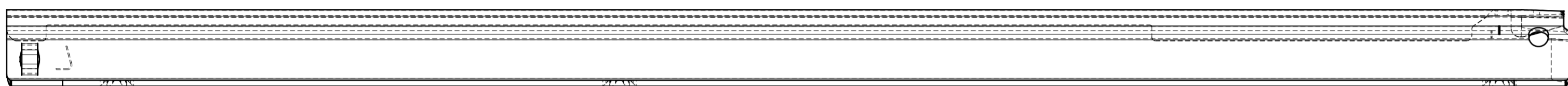
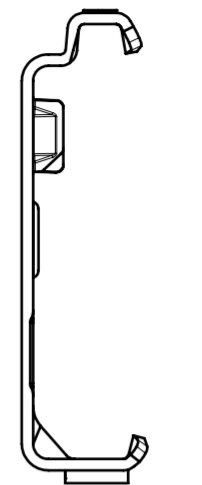
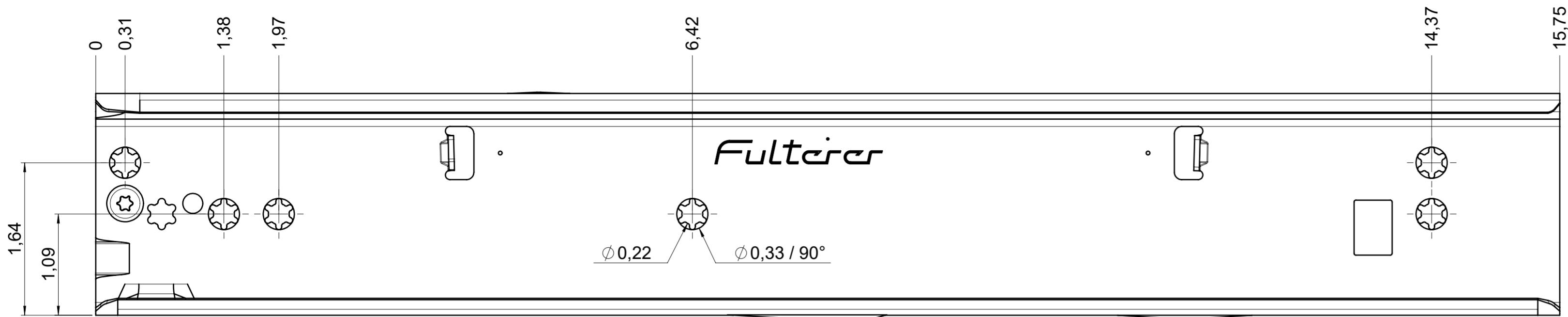
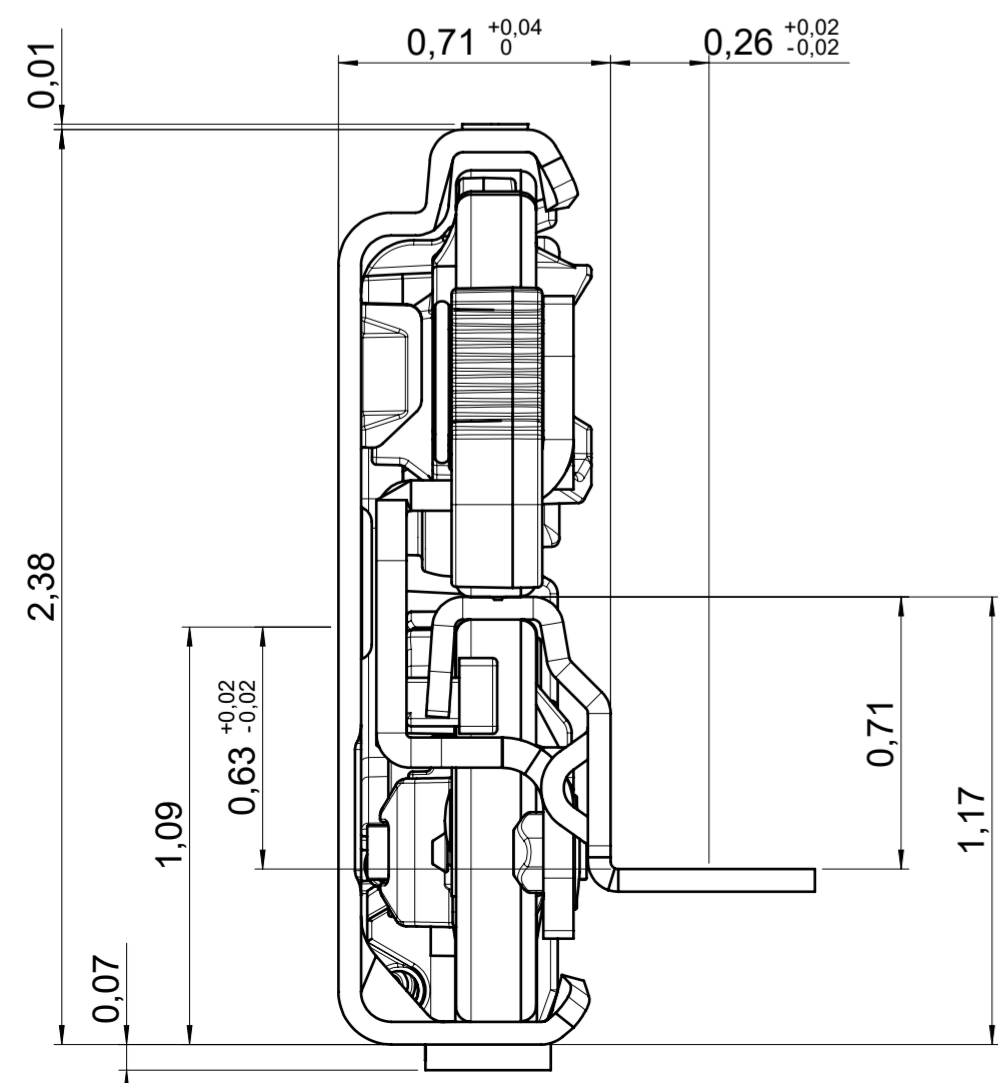
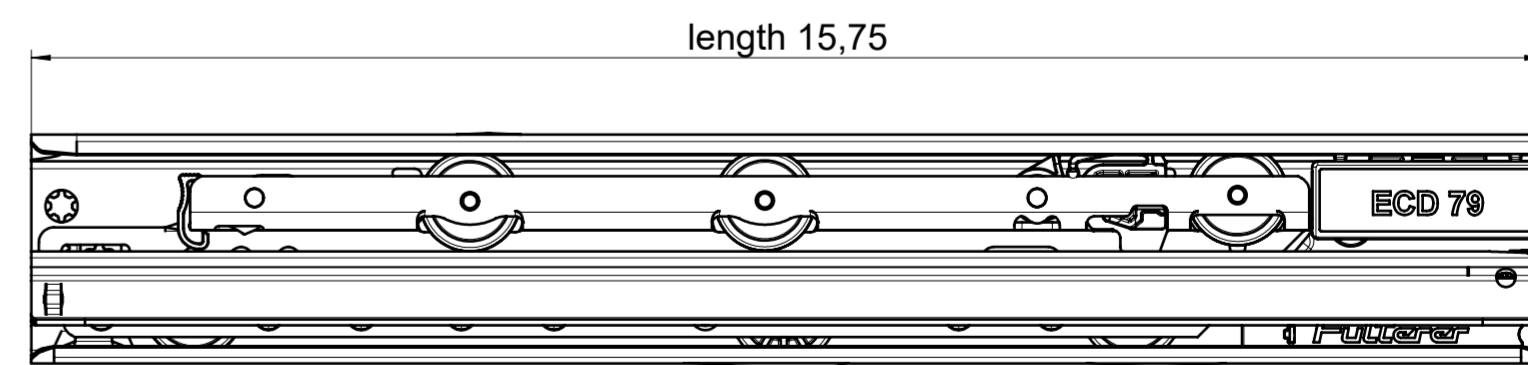


drawn on the left (mirrored on the right)



as an option you can retrofit the ECD



final approval

customer name:

signed by:

date:

all dimensions in inch												
missing dimensions see 3D = theor. intersection	DIN ISO 128-30	scale: 1:1	surface/color:	material: CS	(technical requirements Fulterer)							
prototype approval		drawn	date	name	description: FR 796-400 CS EN (inch) progressive-action over-extension drawerslide / bottom mount							
		proven	2024-01-15	RK								
<table border="1"> <tr> <td>①</td> <td>PDM</td> <td>2024-01-15</td> <td>RK</td> </tr> <tr> <td>ind. changes</td> <td>date</td> <td>name</td> <td></td> </tr> </table>		①	PDM	2024-01-15	RK	ind. changes	date	name		 Fulterer AG & Co KG A-6890 Lustenau Fulterer AG CH-9430 St. Margrethen		drawing number: CS# 796.400-GA.L500 replaces the edition:
①	PDM	2024-01-15	RK									
ind. changes	date	name										
This drawing remains our property and may not be multiplied neither be disclosed to third parties (§§1.3 and 5 from the copyright Act (UrHG)).					covered according to DIN ISO 16016							