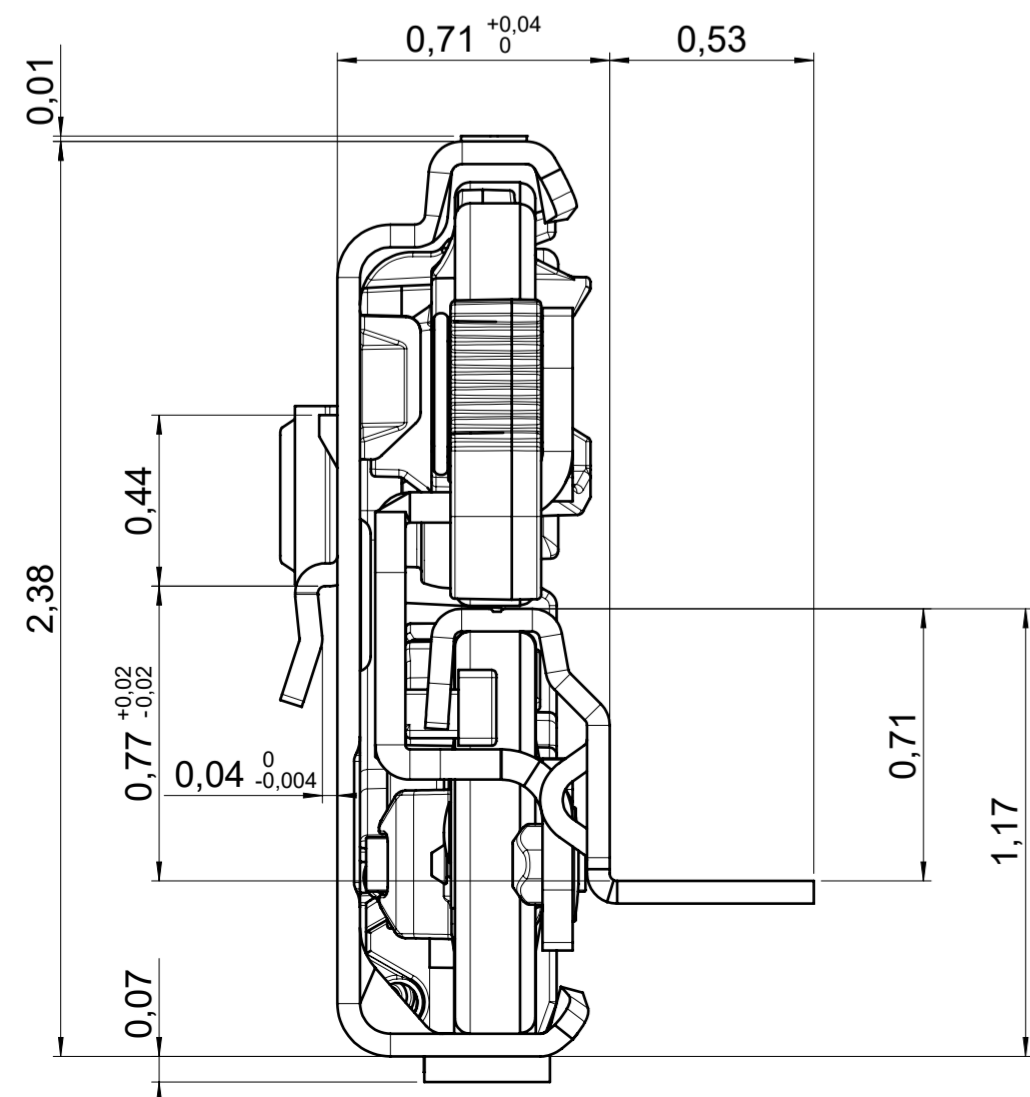
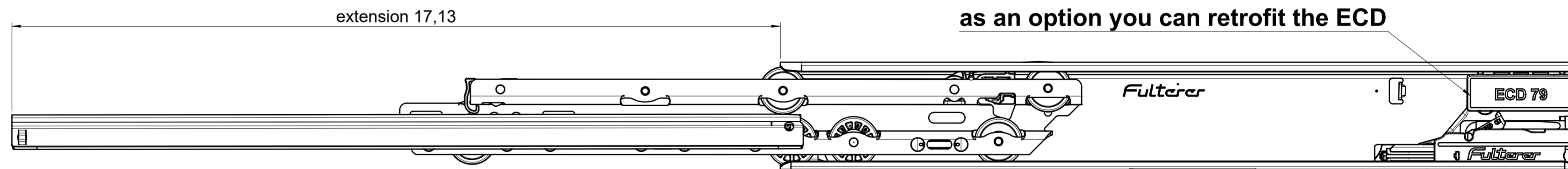
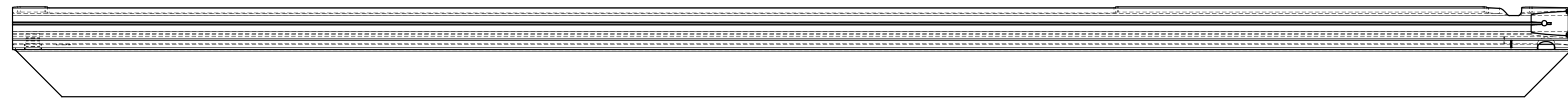
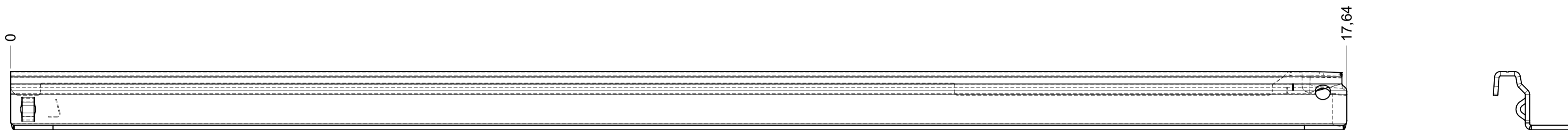


drawn on the left (mirrored on the right)



<b>final approval</b>	customer name:
	signed by:
	date:

all dimensions in inch					
missing dimensions see 3D ☉ = theor. intersection	scale: 1:1	surface/color:	material: CS (technical requirements Fulterer)		
<b>prototype approval</b>	drawn: 2024-01-16 RK	date: 2024-01-16	description: <b>FR 796-450 CS EN (inch)</b>		
	proven: 2024-01-16 RK		progressive-action full-extension drawerslide / bottom mount		
			drawing number: <b>CS# 796.450-GA.L526</b>		
ind. changes	date	name	replaces the edition:		
<small>This drawing remains our property and may not be multiplied neither be disclosed to third parties (§§1.3 and 5 from the copyright Act (UrH.G)). covered according to DIN ISO 16016</small>					